

Penguin vertical pumps are versatile, easy to install, and require a minimal amount of tank space, thus saving valuable floor space.

Features:

- **Easy Installation**
- **Chemical Resistant**
- **Extended Pump Lengths**
- **Runs Dry without damage**
- **Self-Priming when Immersed**
- **Corrosion Resistant Epoxy Paint**
- **Six Foot Cord with Grounded Plug on Single Phase, 115V Models**
- **Positive Displacement Air Purge Vent Port on P-1/4 or Larger Models**
- **Internal/External Tank Flange Mounting**
- **Choice of CPVC, PVDF, or Polypropylene**

Recommended Applications:

- **Plating**
- **Etching**
- **Filtering**
- **Wet Processing**
- **Waste Treatment**
- **Wet Fume Scrubbing**
- **Transfer/Recirculation Pumping**



Model P-1/15



Model P-1/4



Model P-2

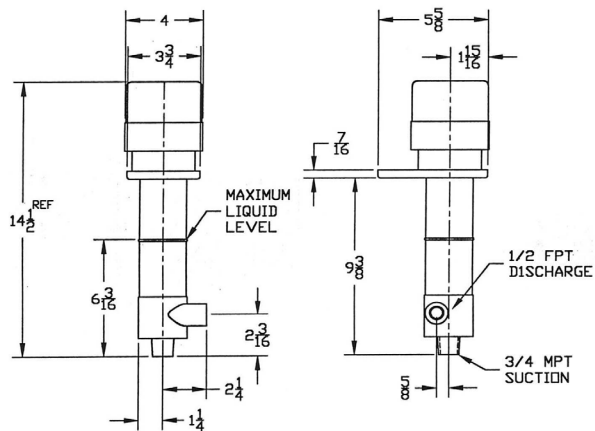
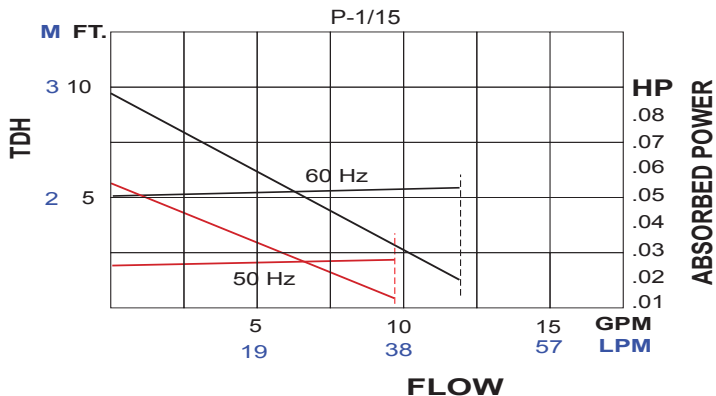


Model P-3

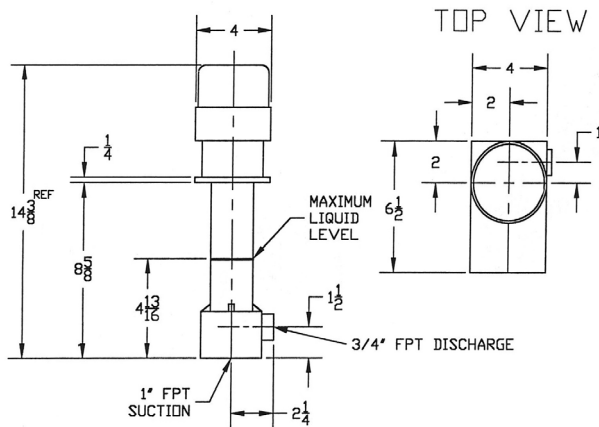
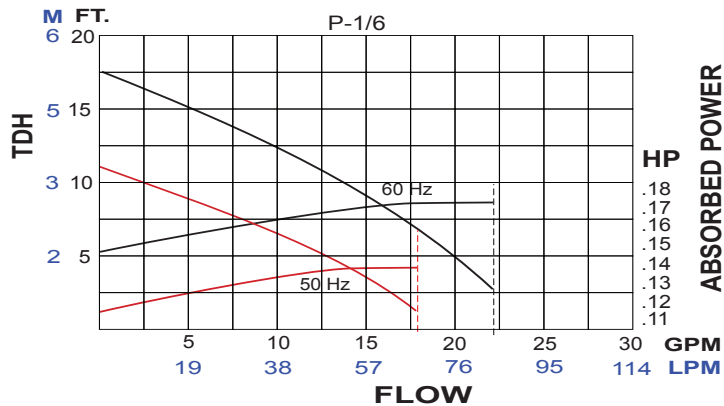
Series P

Performance Data Based On Ambient Water, Specific Gravity 1.0

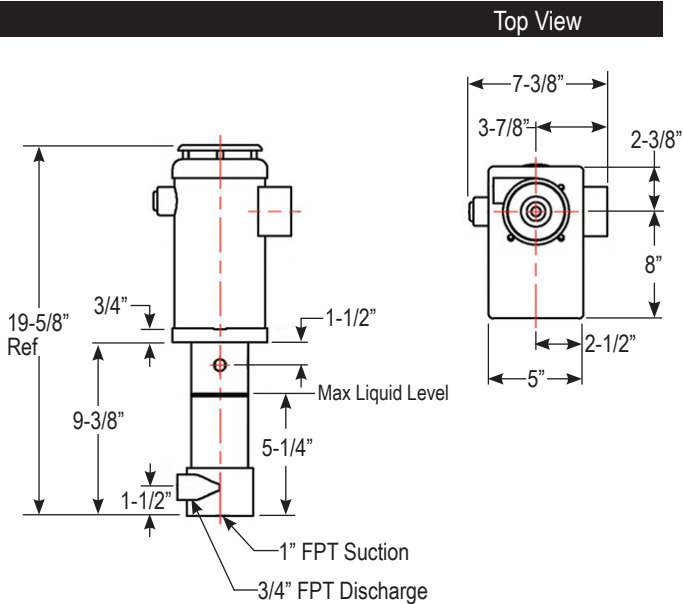
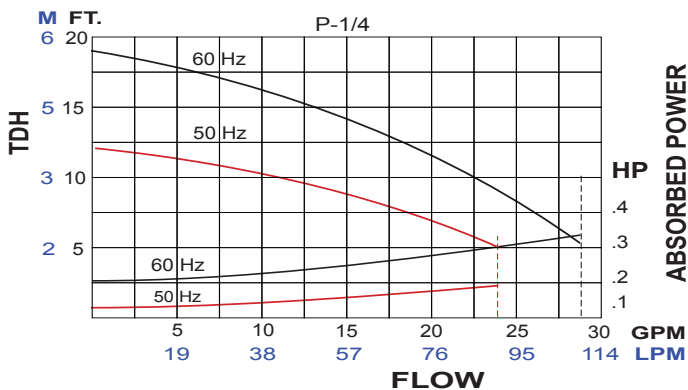
P-1/15



P-1/6



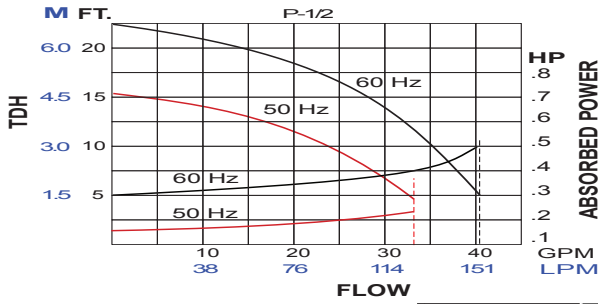
P-1/4



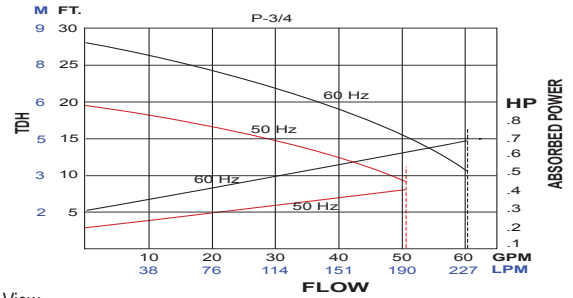
Series P

Performance Data Based On Ambient Water, Specific Gravity 1.0

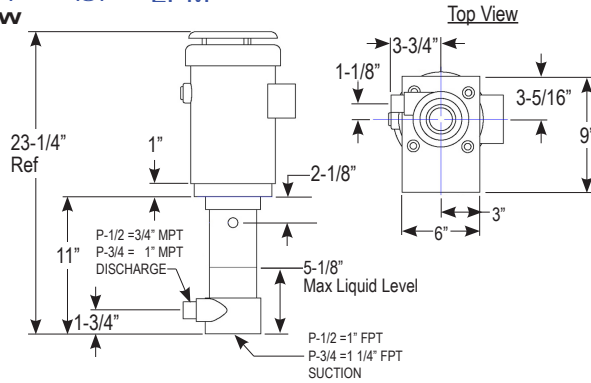
P-1/2



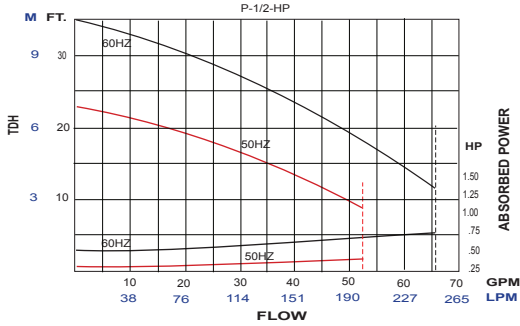
P-3/4



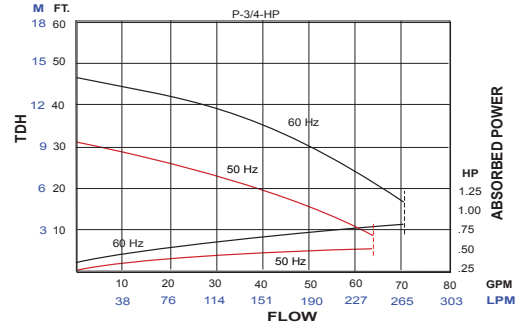
P-1/2, P-3/4



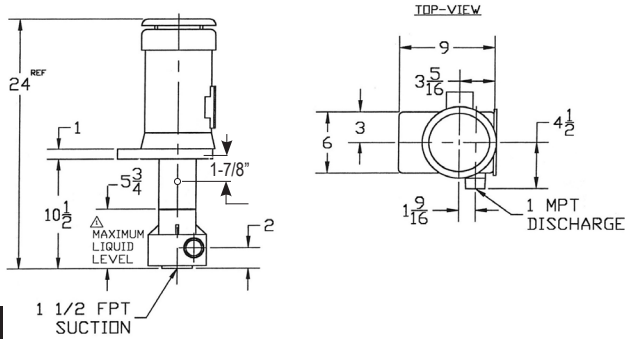
P-1/2-HP



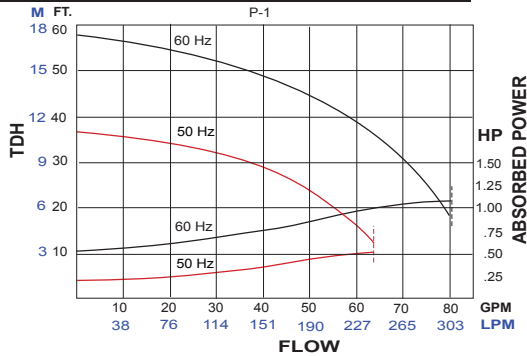
P-3/4-HP



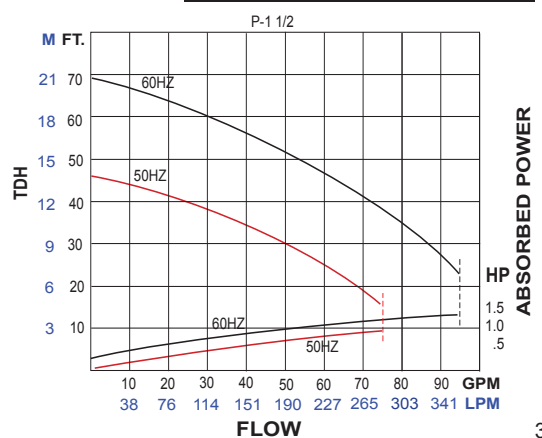
P-1/2HP, P-3/4HP, P-1, P-1-1/2



P-1



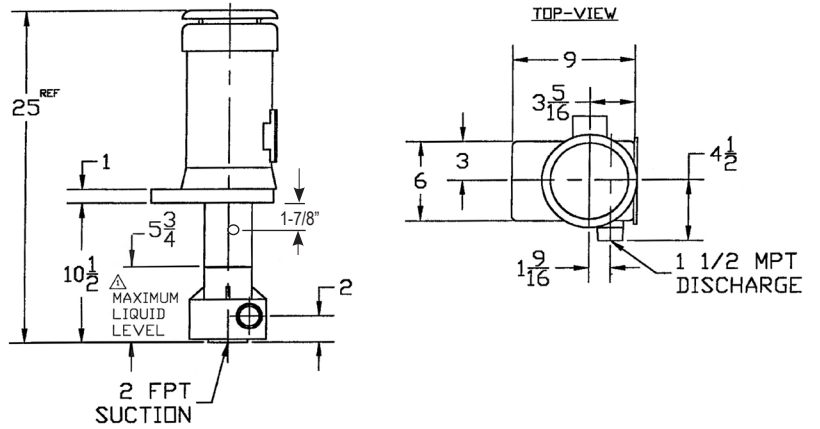
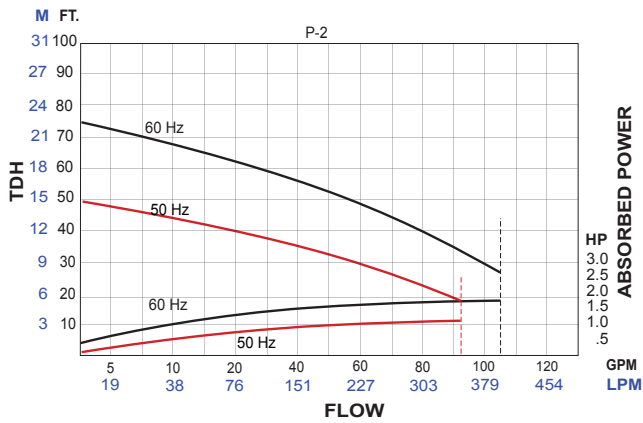
P-1 1/2



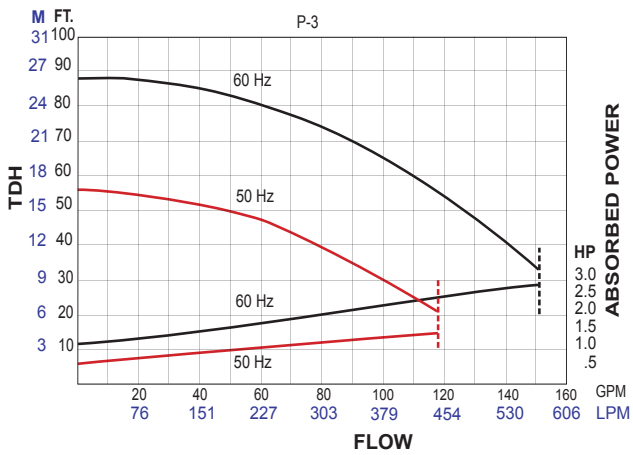
Series P

Performance Data Based On Ambient Water, Specific Gravity 1.0

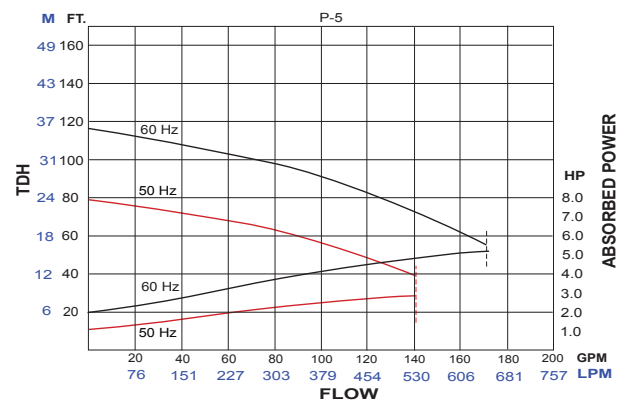
P-2



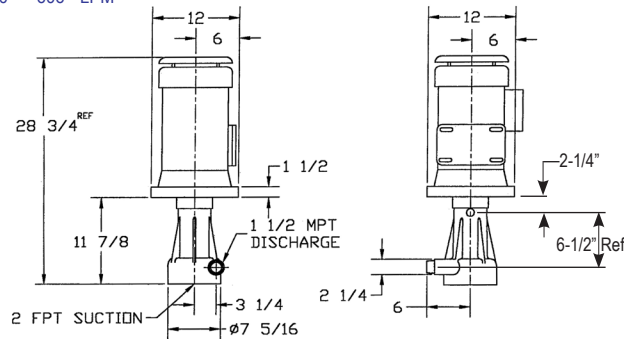
P-3



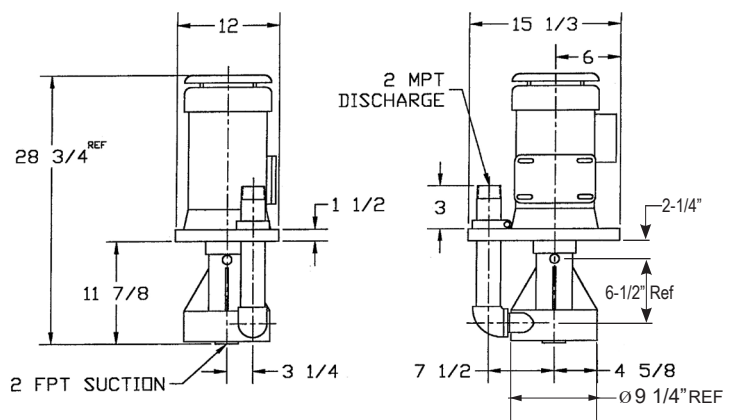
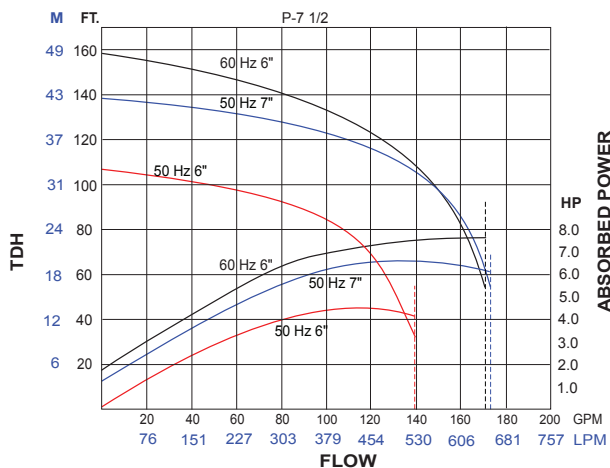
P5



P-3, P-5



P-7 1/2



Series P

Specifications					Motor							Dim			
Model	Max Flow 60Hz (GPM)	Max Head (Ft) 60Hz (TDH)	Max Flow 50Hz (L/Min)	Max Head (M) 50Hz (TDH)	HP	RPM	Volts	Hertz	Phase	Amps	Ht	Wth	Lth	Wt	
P-1/15	12	9'	37.5	1.8	1/15	3000/2450	115	60/50	1	2.0	10	10	18	9	
					1/25	3300/2700	208-230			0.9-0.8					
P-1/6	22.5	18'	71	3.6	1/6	3200	115	60/50	1	2.0	11	11	19	11	
						2675	208-230			1.3-1.2					
P-1/4	28.5	18.5'	87	3.7	1/3	3450	110/220	60/50	3	5.4/2.7	11	11	26	27	
						2850	230/460			1.2/0.6				26	
P-1/2	40	23'	124	4.9	1/2	115/230	60	60/50	1	7.8/3.9	11	11	26	45	
						208-230/460	60/50			3				6.4/3.2	47
P-1/2HP	66	35'	206	7	1/2	115/230	60	60/50	1	7.8/3.9	11	11	26	45	
						208-230/460	60/50			3				6.4/3.2	47
P-3/4	61	27.5'	187	5.8	3/4	115/230	60	60/50	1	9.8/4.9	11	11	26	47	
						208-230/460	60/50			3				10/5	48
P-3/4HP	78.5	46'	241	9.5	3/4	115/230	60	60/50	1	9.8/4.9	11	11	26	47	
						208-230/460	60/50			3				10/5	48
P-1	83	52'	255	11	1	115/230	60	60/50	1	11/5.5	11	11	26	50	
						208-230/460	60/50			3				12.8/6.4	52
P- 1 1/2	90	62'	276	12.8	1 1/2	115/230	60	60/50	1	17.8/8.9	11	11	26	55	
						208-230/460	60/50			3				4.9-4.6/2.3	48
P-2	112	69'	343	14.3	2			60/50	3	5.8-5.4/2.7	11	11	26	60	
P-3	150	88'	460	18.3	3					8.2-7.8/3.9				100	
P-5	172	122'	527	25.3	5			208-230/460	3	12.2-11.6/5.8	21	16	36	120	
P-7 1/2	175	166'	537	33.2	7 1/2					20.5-19.0/9.5				130	

Nomenclature

P	XX	X	XX	XX	XX	XX
Penguin Vertical Pump	Horsepower 1/15=1/15 1/6=1/6 1/4=1/4 1/2=1/2 3/4=3/4 1=1 1 1/2=1 1/2 2=2 3=3 5=5 7 1/2=7 1/2	Construction Material/ O-Ring Elastomer Material A = CPVC/EPR B = Polypropylene/EPR C = PVDF/Viton	Impeller/Housing None = Standard HP = High Pressure	Shaft Config. None = Threaded K = Keyway/Thrd Screw&Nut	Shaft Material None = 304SS 316SS = 316SS T = Titanium	Pump Bracket Config. None = Bracket RB = Round Flange DP = Discharge Piping

Not all combinations are available

Model	Shaft & Mounting Bracket Options											
	Shaft Material			Material of Construction								
	304SS	316SS	Titanium	Standard Mounting Bracket								
				REC	RB	DP	REC	RB	DP	REC	RB	DP
P-1/15	X	NA	NA	X	NA	NA	X	NA	NA	X	NA	NA
P-1/6	X	NA	NA	X	NA	O	X	NA	CF	X	NA	CF
P-1/4	X	NA	O	X	NA	O	X	NA	O	X	NA	O
P-1/2	X	O	O	X	CF	O	X	CF	O	X	CF	O
P-1/2 HP	X	O	O	X	CF	O	X	CF	O	X	CF	O
P-3/4	X	O	O	X	CF	O	X	CF	O	X	CF	O
P-3/4 HP	X	O	O	X	CF	O	X	CF	O	X	CF	O
P-1	X	O	O	X	CF	O	X	CF	O	X	CF	O
P- 1 1/2	X	O	O	X	CF	O	X	CF	O	X	CF	O
P-2	X	O	O	X	CF	O	X	CF	O	X	CF	O
P-3	X	O	O	X	O	O	X	NA	O	O	X	O
P-5	X	O	O	X	O	O	X	NA	O	O	X	O
P-7 1/2	X	O	O	X	O	X	X	NA	X	O	X	O

X=STANDARD O=OPTION CF=CONSULT FACTORY NA=NOT APPLICABLE

Mounting Diagram

