



MARCH PUMPS

1819 PICKWICK AVE., GLENVIEW, IL 60026-1306, U.S.A
 PHONE: (847) 729-5300 - FAX: (847) 729-7062
 WWW.MARCHPUMP.COM

TE-8S-MD

DESCRIPTION:

The TE-8S-MD is a centrifugal magnetic drive pump, eliminating the need for a shaft seal. Pump is serviceable with an adjustable wrench. Screws should be tightened in sequence & uniformly. See the parts list for a breakdown of parts.

Model Abbreviations: S: Stainless Steel

OPERATION:

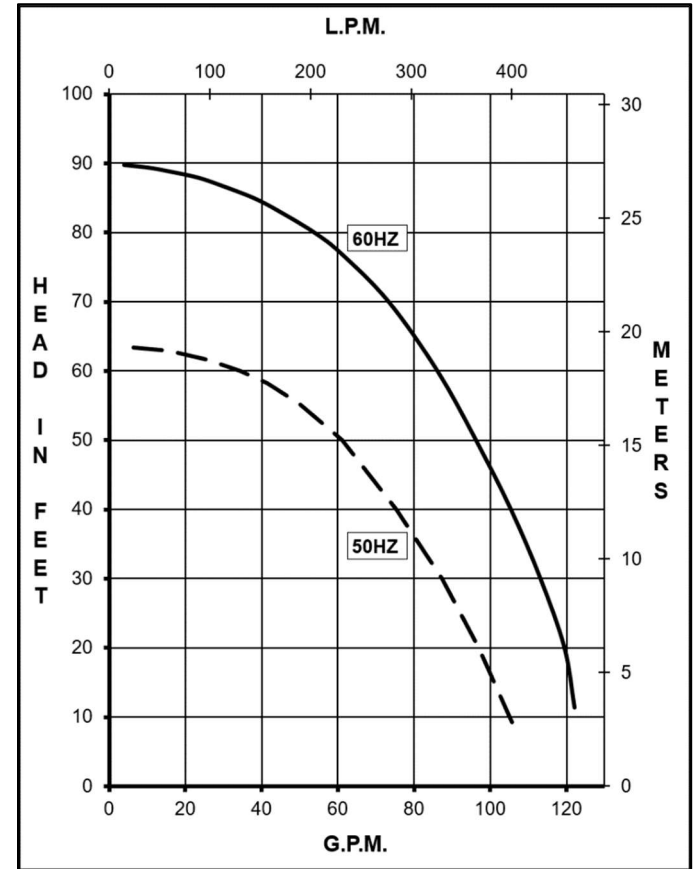
Pump is not self-priming, lack a suction lift, and thus require a **flooded suction**. Pump **cannot be run dry** because the impeller requires the liquid being pumped for lubrication. The direction of motor rotation should be clockwise when facing the inlet of the pump. For liquids with a specific gravity greater than water, have a higher viscosity, or for elevated temperatures, a trimmed impeller may be necessary. For application assistance, contact March Pump.

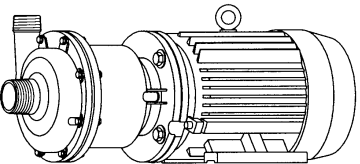
ELECTRICAL:

TE-8S-MD pump is dual voltage 230/460, 3 phase 60 Hz and dual voltage 190/380, 3 phase 50 Hz, TEFC. Motor is totally enclosed fan cooled and are U.L. listed as well as rated for continuous operation. Motor has a conduit box for electrical connections.

ASSEMBLY & DISASSEMBLY:

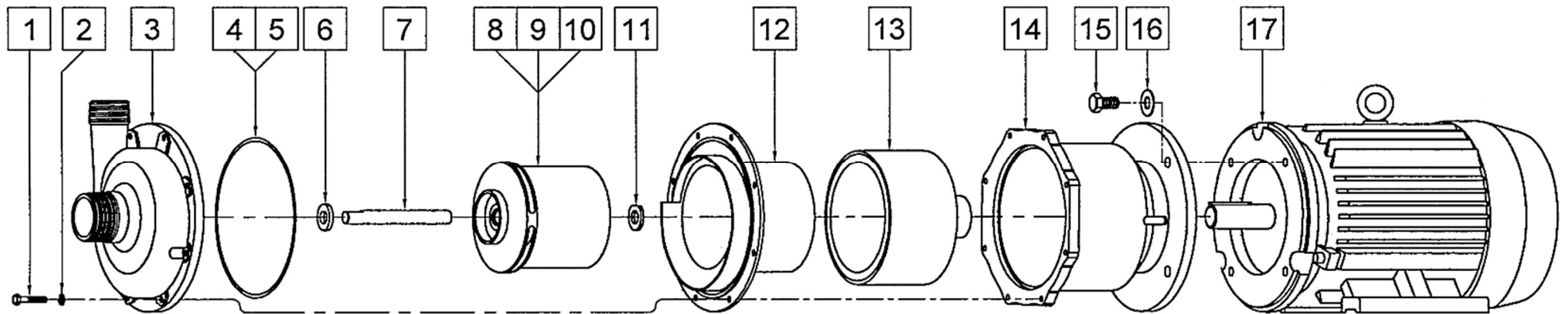
When replacing impeller bushings in the field, the plastic bushings must be bored to size after they have been pressed into the impeller. Bore to 0.630/0.632 I.D. The carbon & ceramic bushings are to finished size and do not require boring. When attaching the drive magnet to the motor shaft, position the face of the drive magnet 3/8 inch below the face of the motor bracket.



SPECIFICATIONS		TE-8S-MD																														
																																
Product #		0157-0030-0100																														
Inlet - Outlet		2" MPT - 1-1/2" MPT																														
Max Internal Pressure		200 psi (1378 kPa)																														
Max Liquid Temperature		250 °F (121 °C)																														
MODEL	60 Hz												50 Hz												Height		Width		Length		Packed Weight	
	Max Flow	Max Head		ELECTRICAL						Max Flow	Max Head		ELECTRICAL																			
	gpm	lpm	ft	psi	m	Ph	V	A	Hp	kW	Rpm	gpm	lpm	ft	psi	m	Ph	V	A	Hp	kW	Rpm	Inches	cm	Inches	cm	Inches	cm	lbs	kg		
TE-8S-MD	120	454	90	39	27.4	3	230	12.6	5	3.7	3450	105	400	63.3	27.4	19.3	3	190	15	5	3.7	2850	10.86	27.5	12.73	32.3	24.68	62.6	180	81.5		
							460	6.3										380	7.5													

All specifications & data are based on pumping water & are intended as a guideline only. Specifications may vary with different motors.

PARTS LIST



#	TE-8S-MD		
1	0157-0036-1000	8	1/4"-20 x 1-1/4" Lg. Screw (Stainless)
2	0157-0023-1000	8	1/4" ID x 5/8" OD Washer (Stainless)
3	0157-0030-0001	1	Pump Housing (316 Stainless) & item 12 Rear Housing must be purchased together for matching set.
4	0157-0011-1000	1	0.157" CS x 7.244" ID "O" Ring (Viton)
5	0157-0032-1000	1	1/8" CS x 7-1/2" OD "O" Ring (Viton/Teflon) – Option
6	0157-0001-1000	1	Front Thrust Washer (Ceramic)
7	0157-0002-1000	1	Shaft (Ceramic)
8	0157-0029-0500	1	Impeller w/Carbon Bushing (316 Stainless)
9	0157-0029-0200	1	Impeller w/Ryton Bushing (316 Stainless) – Option
10	0157-0029-0700	1	Impeller w/Mica Teflon Bushing (316 Stainless) – Option
11	0157-0009-1000	1	Rear Thrust Washer (Ceramic)
12	0157-0028-0001	1	Rear Housing (316 Stainless) & item 3 Pump Housing must be purchased together for matching set.
13	0157-0005-0100	1	Drive Magnet
14	0157-0008-0010	1	Motor Bracket (Metal)
15	0160-0031-1000	4	1/2"-13 x 1" Lg. Screw (Stainless)
16	0160-0032-1000	4	1/2" ID x 1-1/4" OD Washer (Stainless)
17	0157-0065-1000	1	TEFC Motor, 5 HP, 230/460 V, 3 Phase, 50/60 Hz

Materials in Contact with Solution

316 Stainless Steel, Viton, Carbon, Ceramic

LIMITED WARRANTY

March pumps are guaranteed only against defects in workmanship or materials for a period of one year from date of manufacture pumping water. For the complete warranty and to register online go to www.marchpump.com/warranty-registration

NOTE: Contact Factory for other materials and/or parts not listed such as explosion proof and special voltage motors.

0157-0039-1000 R8