



MARCH PUMPS

1819 PICKWICK AVE., GLENVIEW, IL 60026-1306, U.S.A
 PHONE: (847) 729-5300 - FAX: (847) 729-7062
 WWW.MARCHPUMP.COM

DESCRIPTION:

Series 7 are centrifugal magnetic drive pumps, eliminating the need for a shaft seal. Pumps can be serviced with an adjustable wrench. See the parts list for a breakdown of parts.

Model Abbreviations: S: Stainless Steel

OPERATION:

Pumps are not self-priming, lack a suction lift, and thus require a **flooded suction**. Pumps **cannot be run dry** because the impeller requires the liquid being pumped for lubrication. The direction of motor rotation should be clockwise when facing the inlet of the pump. For liquids with a specific gravity greater than water, have a higher viscosity, or for elevated temperatures, a trimmed impeller may be necessary. For application assistance, contact March Pump.

ELECTRICAL:

Configurations:

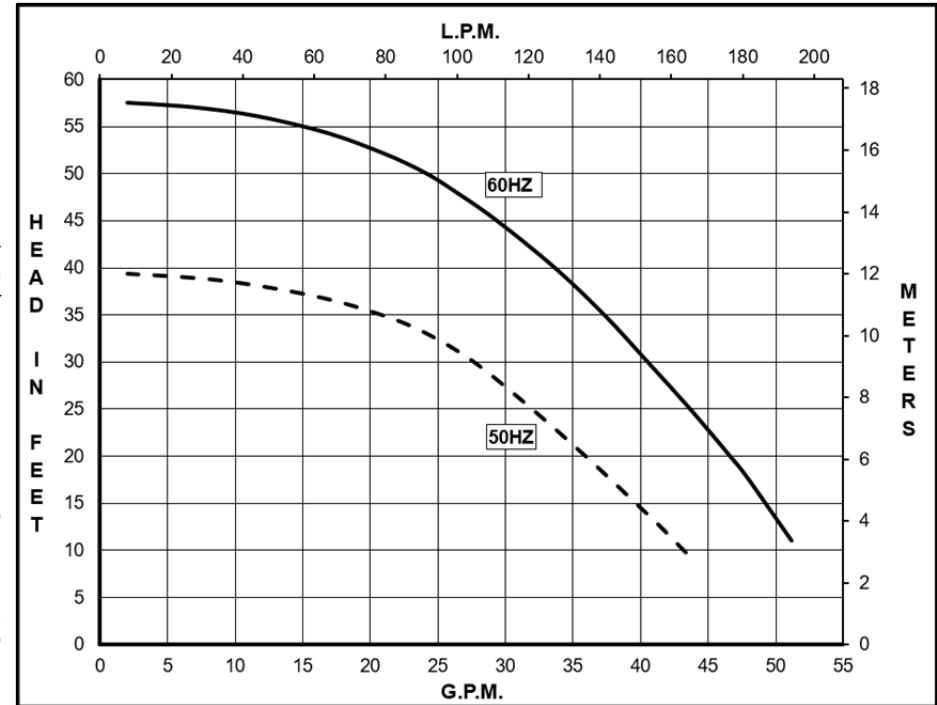
- 1 phase 115/230 Volt, 60 Hz, 110/220 Volt, 50 Hz.
- 3 phase 230/460 Volt, 60 Hz, 190/380 Volt, 50 Hz.

Motors are totally enclosed fan cooled and are U.L. listed as well as rated for continuous operation. All motors have a conduit box for electrical connections.

LIMITED WARRANTY:

March pumps are guaranteed only against defects in workmanship or materials for a period of one year from date of manufacture pumping water. For the complete warranty and to register online go to www.marchpump.com/warranty-registration

TE-7S-MD



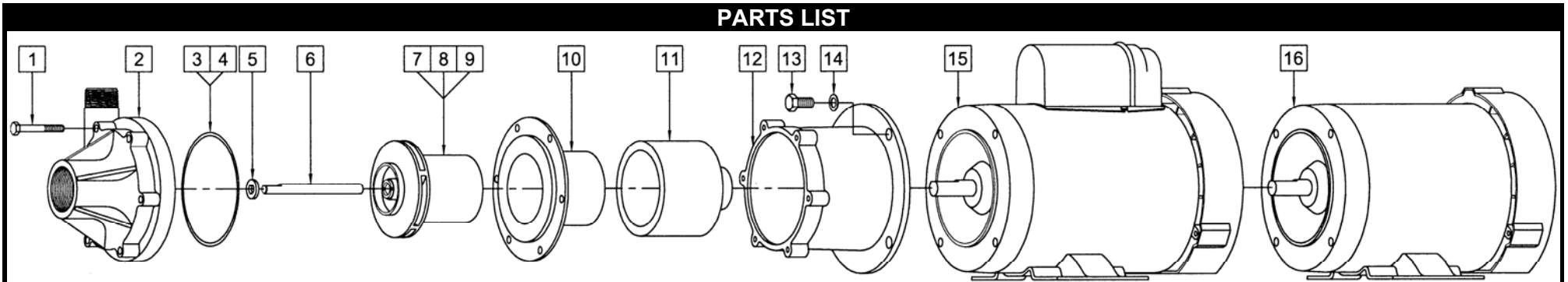
SPECIFICATIONS		TE-7S-MD																																					
		Product #		Inlet - Outlet		Max Internal Pressure		Max Liquid Temperature		60 Hz												50 Hz												Height		Width		Length	
										ELECTRICAL				ELECTRICAL				ELECTRICAL																					
Product #		1 Phase																																					
		3 Phase																																					
Inlet - Outlet																																							
Max Internal Pressure																																							
Max Liquid Temperature																																							
MODEL		Max Flow		Max Head			ELECTRICAL						Max Flow		Max Head			ELECTRICAL						Height		Width		Length		Packed Weight									
		gpm	lpm	ft	psi	m	Ph	V	A	Hp	kW	Rpm	gpm	lpm	ft	psi	m	Ph	V	A	Hp	kW	Rpm	Inches	cm	Inches	cm	Inches	cm	lbs	kg								
TE-7S-MD		53	201	57.5	24.9	17.5	1	115	12.6	1.00	0.75	3450	47	180	39.36	17.1	12.0	1	110	14.3	1.00	0.75	2850	8.94	22.7	8.96	22.7	18.29	46.4	49.75	22.56								
								230	6.2										220	7.1																			
		53	201	57.5	24.9	17.5	3	230	3.0	1.00	0.75	3450	47	180	39.36	17.1	12.0	3	190	3.3	1.00	0.75	2850	7.38	18.7	8.96	22.7	17.29	43.9	45.25	20.52								
								460	1.5										380	1.6																			

All specifications/values are based on pumping water and are intended as a guideline only. Values may vary with different motors.

NOTE:

The Impeller, shaft, and Thrust washer are packed separately within the carton to prevent damage during shipping. These items need to be assembled into the pump before installation. Be sure all parts are assembled per the exploded view shown.

When replacing Impeller Bushing in the field: The plastic bushings must be bored to size after they have been pressed into the impeller. Bore to 0.378/0.381 I.D. The carbon and ceramic bushings are to finished size and do not require boring. When attaching drive magnet to the motor shaft, position the face of the drive magnet 1/8 inch below the face of the motor bracket.

**PARTS LIST**

#	DESCRIPTION	MATERIAL	SIZE (Inches)	QTY.	PART #
1	Screw	Stainless	1/4-20 x 2 Lg.	6	0155-0014-1000
2	Front Housing	316 Stainless		1	0155-0036-0010
3	"O" Ring	Viton	1/8 CS x 4-3/8 OD	1	0155-0010-1000
4	"O" Ring (Option)	Viton/Teflon	1/8 CS x 4-3/8 OD	1	0155-0071-1000
5	Thrust Washer	Ceramic		1	0155-0009-1000
6	Shaft	Ceramic	4.257 Lg.	1	0155-0117-1000
7	Impeller w/Carbon Bushing	316 Stainless		1	0155-0112-0400
8	Impeller w/Teflon/Ryton/Carbon Bushing (Option)	316 Stainless		1	0155-0112-0300
9	Impeller w/Mica Teflon Bushing (Option)	316 Stainless		1	0155-0112-0800
10	Rear Housing	316 Stainless		1	0155-0035-0010
11	Drive Magnet			1	0155-0130-0200
12	Motor Bracket	Aluminum		1	1095-0015-0010
13	Screw	Stainless	3/8-16 x 3/4 Lg.	4	0155-0017-1000
14	Washer	Stainless	3/8 ID x 5/8 OD	4	0155-0019-1000
15	Motor, TEFC, 1 HP, 1 Phase, 115/230 V, 50/60 Hz			1	0155-0173-1000
16	Motor, TEFC, 1 HP, 3 Phase, 230/460 V, 50/60 Hz			1	0155-0174-1000

Materials in Contact with Solution:

316 Stainless Steel, Viton, Ceramic, Carbon

NOTE: Contact Factory for other materials and/or parts not listed.

Explosion proof & special voltage motors are available upon special order.

0155-0106-1000 R1