



MARCH PUMPS

1819 PICKWICK AVE., GLENVIEW, IL 60026-1306, U.S.A
 PHONE: (847) 729-5300 - FAX: (847) 729-7062
 WWW.MARCHPUMP.COM

5C-MD, LC-5C-MD

DESCRIPTION:

Series 5 are centrifugal magnetic drive pumps, eliminating the need for a shaft seal. All are serviceable with a screwdriver. The "LC" model is hermetically encapsulated allowing the pump to run fully submerged or in open air for complete moisture protection. Model 5C-MD must be run submerged only. See the parts list for a breakdown of parts.

Model Abbreviations:

C: Polypropylene, LC: Liquid Cooled

OPERATION:

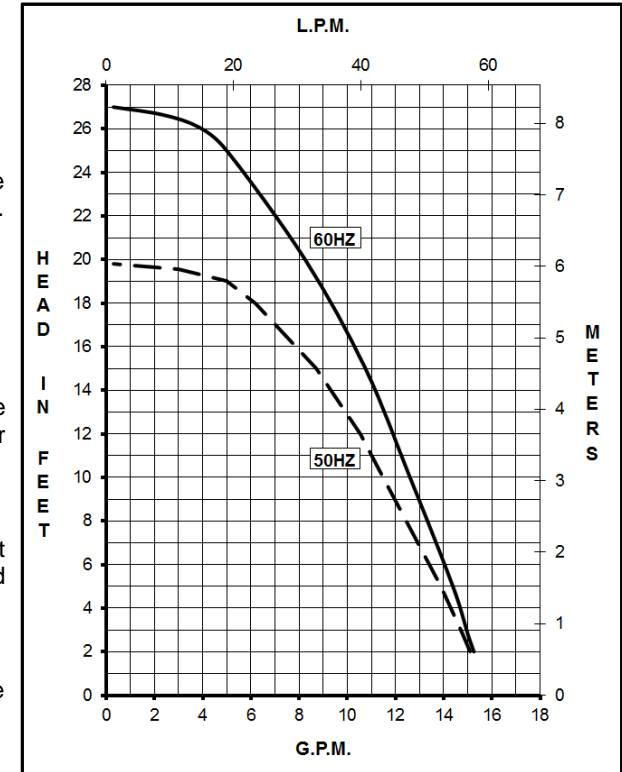
Pumps are not self-priming, lack a suction lift, and thus require a **flooded suction**. Pumps **cannot be run dry** because the impeller requires the liquid being pumped for lubrication. For liquids with a specific gravity greater than water, have a higher viscosity, or for elevated temperatures, a trimmed impeller may be necessary. For application assistance, contact March Pump.

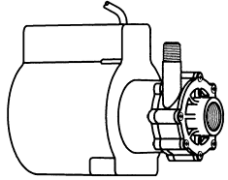
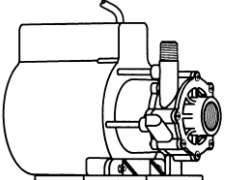
ELECTRICAL:

Motors are available in different electrical configurations such as 115 Volt 50/60 Hz, or 230 Volt 50/60 Hz, 1 phase. 115 Volt motors have a 6 ft. (1.8 m) cord with plug. 230 V motors have a 6 ft. (1.8 m) cord with no plug. The motors are U.L. listed and rated as continuous duty.

LIMITED WARRANTY:

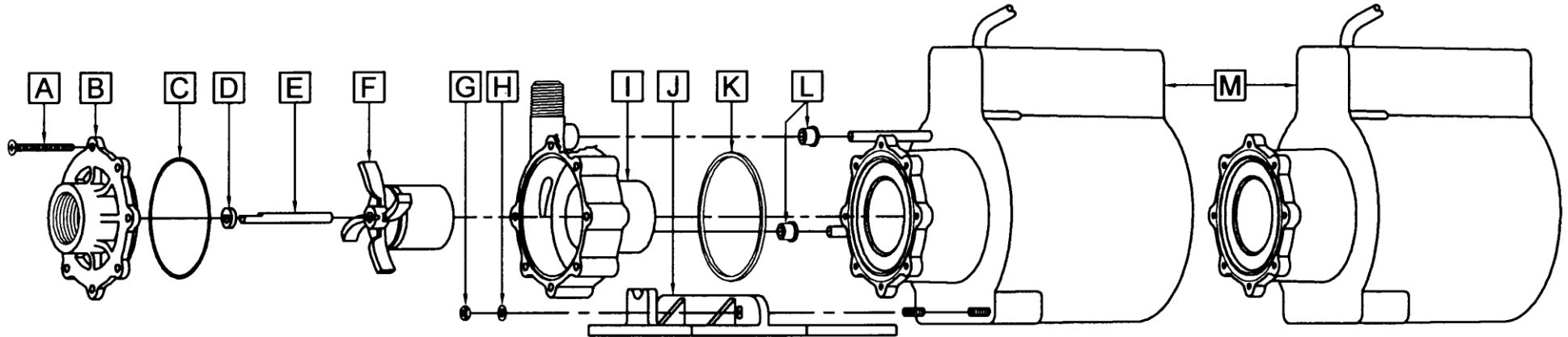
March pumps are guaranteed only against defects in workmanship or materials for a period of one year from date of manufacture pumping water. For the complete warranty and to register online go to www.marchpump.com/warranty-registration



SPECIFICATIONS		5C-MD														LC-5C-MD														
																														
Product #	115 V 230 V	0150-0004-0200 0150-0004-0400														0150-0004-0500 0150-0004-0600														
Inlet - Outlet		1" FPT - 1/2" MPT														1" FPT - 1/2" MPT														
Max Internal Pressure		50 psi (344 kPa)														25 psi (172 kPa)														
Max Liquid Temperature		130 °F (54 °C)														130 °F (54 °C)														
MODEL	Max Flow		Max Head			60 Hz						50 Hz						Height		Width		Length		Packed Weight						
	gpm	lpm	ft	psi	m	Ph	V	A	Hp	kW	Rpm	gpm	lpm	ft	psi	m	Ph	V	A	Hp	kW	Rpm	Inches	cm	Inches	cm	Inches	cm	lbs	kg
5C-MD	14.5	54.9	27	11.7	8.2	1	115 230	1.6 0.9	1/8	0.093	3450	14.5	54.8	19.6	8.5	6	1	115 230	1.2 0.5	1/8	0.093	2850	6.90	17.5	5.56	14.1	9.85	25.0	17.40	7.89
LC-5C-MD	14.5	54.9	27	11.7	8.2	1	115 230	1.6 0.9	1/8	0.093	3450	14.5	54.8	19.6	8.5	6	1	115 230	1.2 0.5	1/8	0.093	2850	7.14	18.1	5.63	14.3	9.85	25.0	17.70	8.02

All specifications & data are based on pumping water & are intended as a guideline only. Specifications may vary with different motors.

PARTS LIST



#	DESCRIPTION	MATERIAL	SIZE (Inches)	QTY.	5C-MD	LC-5C-MD
A	Screw	Stainless	#8-32 x 1-3/4 Lg.	7	0150-0021-1000	
B	Cover	Polypropylene	1 FPT Inlet	1	0150-0032-1000	
C	"O" Ring	Buna N	0.078 CS x 2.834 ID	1	0750-0987-1000	
D	Thrust Washer	Ceramic		1	0130-0028-1000	
E	Shaft	Ceramic		1	0130-0024-1000	
F	Impeller with Ceramic Magnet	Polypropylene		1	0150-0030-0100	
G	Nut	Stainless	#10-32	2		0802-0008-1000
H	Lock Washer	Stainless	#10	2		0802-0006-1000
I	Rear Housing w/Ceramic Thrust Washer	Polypropylene	1/2 MPT	1	0150-0031-0100	
	Rear Housing w/Ceramic Thrust Washer	Polypropylene & Plug	1/2 MPT	1		0150-0153-0200
J	Mounting Base	Noryl		1		0150-0155-1000
K	Bracket "O" Ring	Buna N	Quad Ring	1	0150-0020-1000	
L	Cooling Tube Seal	Buna N		2		0125-0007-1000
M	Epoxy Motor Assembly			n/a	Not Available	
	L.C. Epoxy Motor Assembly			n/a		Not Available

MATERIALS IN CONTACT WITH SOLUTION:

5C-MD: Polypropylene, Ceramic, Buna-N, Ceramic Magnet, Noryl, Stainless, Brass, Epoxy & Cord

LC-5C-MD: Wet End - Polypropylene, Ceramic, Buna-N, Ceramic Magnet & Stainless

NOTE: Contact Factory for other materials and/or parts not listed.

0150-0060-1100 R4