



MARCH PUMPS

1819 PICKWICK AVE., GLENVIEW, IL 60026-1306, U.S.A
 PHONE: (847) 729-5300 - FAX: (847) 729-7062
 WWW.MARCHPUMP.COM

DESCRIPTION:

Series 5.5 are centrifugal magnetic drive pumps, eliminating the need for a shaft seal. Pumps can be serviced with a screwdriver. Screws should be tightened in sequence and uniformly. Do not over tighten the screws or you may crush the plastic housing bosses. See the parts list for a breakdown of parts.

Model Abbreviations: C: Polypropylene, K: Kynar, S: Stainless Steel

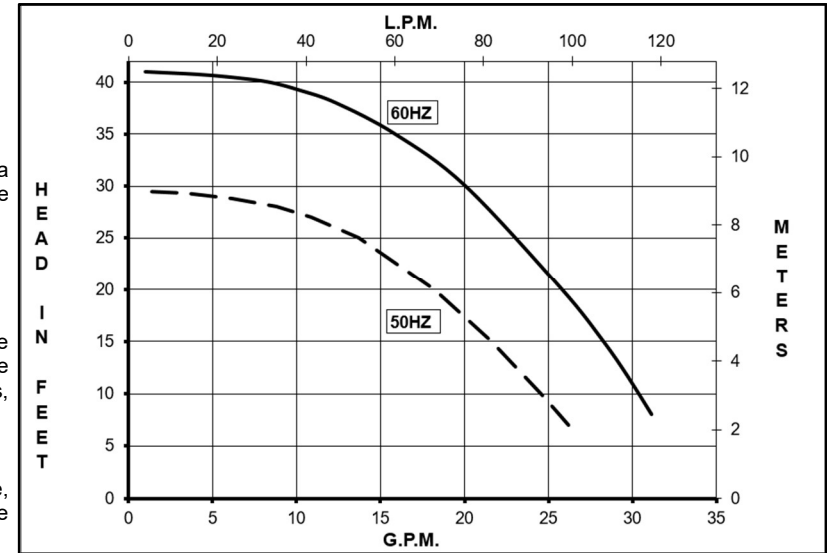
OPERATION:

Pumps are not self-priming, lack a suction lift, and thus require a **flooded suction**. Pumps **cannot be run dry** because the impeller requires the liquid being pumped for lubrication. The direction of motor rotation should be clockwise when facing the inlet of the pump. For liquids with a specific gravity greater than water, have a higher viscosity, or for elevated temperatures, a trimmed impeller may be necessary. For application assistance, contact March Pump.

ELECTRICAL:

TE-5.5-MD pumps are dual voltage 115/230, 1 phase 50/60 Hz or dual voltage 230/460 60 Hz (190/380 50 Hz), 3 phase, TEFC. Motors are totally enclosed fan cooled and are U.L. listed as well as rated for continuous operation. All motors have a conduit box for electrical connections.

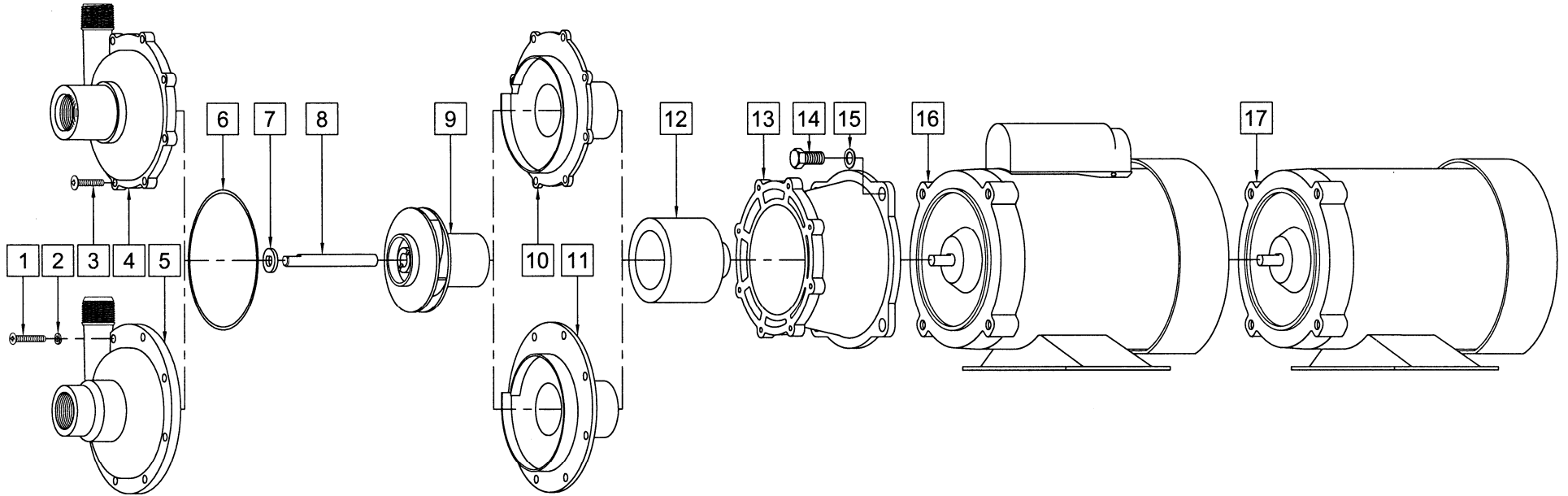
TE-5.5C-MD, TE-5.5K-MD, TE-5.5S-MD



SPECIFICATIONS	TE-5.5C-MD											TE-5.5K-MD											TE-5.5S-MD										
	Max Flow		Max Head		ELECTRICAL							Max Flow		Max Head		ELECTRICAL							Height		Width		Length		Packed Weight				
MODEL	gpm	lpm	ft	psi	m	Ph	V	A	Hp	kW	Rpm	gpm	lpm	ft	psi	m	Ph	V	A	Hp	kW	Rpm	Inches	cm	Inches	cm	Inches	cm	lbs	kg			
TE-5.5C-MD	30	114	41	17.8	12.5	1	115	4.4	1/3	0.25	3450	27	102	29.5	12.8	9	1	115	4.4	1/3	0.25	2850	7.79	19.7	7.65	19.4	14.25	36.1	23.40	10.61			
	30	114	41	17.8	12.5	3	230	1.2	1/3	0.25	3450	27	102	29.5	12.8	9	3	190	1.2	1/3	0.25	2850	7.34	18.6	9.24	23.4	15.07	38.2	27.60	12.51			
TE-5.5K-MD	30	114	41	17.8	12.5	1	115	4.4	1/3	0.25	3450	27	102	29.5	12.8	9	1	115	4.4	1/3	0.25	2850	7.79	19.7	7.65	19.4	14.25	36.1	23.80	10.79			
	30	114	41	17.8	12.5	3	230	1.2	1/3	0.25	3450	27	102	29.5	12.8	9	3	190	1.2	1/3	0.25	2850	7.34	18.6	9.24	23.4	15.07	38.2	28.05	12.72			
TE-5.5S-MD	30	114	41	17.8	12.5	1	115	4.4	1/3	0.25	3450	27	102	29.5	12.8	9	1	115	4.4	1/3	0.25	2850	7.79	19.7	7.65	19.4	14.25	36.1	28.55	12.95			
	30	114	41	17.8	12.5	3	230	1.2	1/3	0.25	3450	27	102	29.5	12.8	9	3	190	1.2	1/3	0.25	2850	7.34	18.6	9.24	23.4	15.07	38.2	32.80	14.87			

All specifications & data are based on pumping water & are intended as a guideline only. Specifications may vary with different motors.

PARTS LIST



NOTE: When attaching the Drive Magnet to the motor shaft, position the face of the Drive Magnet flush with the face of the Motor Bracket.

#	DESCRIPTION	TE-5.5C-MD	TE-5.5K-MD	TE-5.5S-MD	SIZE (Inches)	QTY.	TE-5.5C-MD	TE-5.5K-MD	TE-5.5S-MD
1	Screw		Stainless		#10-32 x 1-1/8 Lg.	8			0135-0181-1000
2	Lock Washer		Stainless		#10	8			0151-0016-1000
3	Screw		Stainless		#10-32 x 1 Lg.	8	0135-0180-1000		
4	Front Housing	Polypropylene	Kynar			1	0151-0027-1000	0151-0044-1000	
5	Front Housing			316 Stainless		1			0151-0002-0001
6	"O" Ring		Viton		3/32 CS x 4-7/16 OD	1		0153-0015-1000	
	"O" Ring		Teflon (Option)		3/32 CS x 4-7/16 OD	1		0153-0107-1000	
7	Thrust Washer		Ceramic			1		0155-0009-1000	
8	Shaft		Ceramic			1		0153-0007-1000	
9	Impeller	Polypropylene	Kynar			1	0151-0029-0500	0151-0046-0300	
	Impeller w/Carbon Bushing	Polypropylene (Option)	Kynar (Option)	316 Stainless		1	0151-0029-0800	0151-0046-0500	0151-0001-0400
	Impeller w/Mica Teflon Bushing	Polypropylene (Option)	Kynar (Option)	316 Stainless (Option)		1	0151-0029-1300	0151-0046-1100	0151-0001-0800
10	Rear Housing w/Ceramic Thrust Washer	Polypropylene	Kynar			1	0151-0028-0100	0151-0045-0100	
11	Rear Housing			316 Stainless		1			0151-0003-0000
12	Drive Magnet					1		0151-0061-0200	
13	Motor Bracket		Plastic			1		0151-0090-0100	
14	Screw		Stainless		3/8-16 x 3/4 Lg.	4		0155-0017-1000	
15	Washer		Stainless		3/8 ID x 5/8 OD	4		0155-0019-1000	
16	Motor, TEFC, 115/230 V 50/60 Hz, 1 Phase					1		0151-0015-1000	
17	Motor, TEFC, 230/460 V 60 Hz (190/380 V 50 Hz), 3 Phase					1		0151-0039-1000	
W	TE-5.5C-MD Wet End Kit		3, 4, 6, 7, 8, 9, 10			1	0151-0069-0100		
	TE-5.5K-MD Wet End Kit		3, 4, 6, 7, 8, 9, 10			1		0151-0070-0100	

Materials in Contact with Solution:

TE-5.5C-MD: Polypropylene, Viton, Ceramic | **TE-5.5K-MD:** Kynar/Glass Filled, Viton, Ceramic | **TE-5.5S-MD:** 316 Stainless Steel, Viton, Ceramic, Carbon

LIMITED WARRANTY: March pumps are guaranteed only against defects in workmanship or materials for a period of one year from date of manufacture pumping water. For the complete warranty and to register online go to www.marchpump.com/warranty-registration

NOTE: Contact Factory for other materials and/or parts not listed.

Explosion proof and special voltage motors are available upon special order.

0151-0026-1000 R28