



MARCH PUMPS

1819 PICKWICK AVE., GLENVIEW, IL 60026-1306, U.S.A
 PHONE: (847) 729-5300 - FAX: (847) 729-7062
 WWW.MARCHPUMP.COM

DESCRIPTION:

Series 2 are centrifugal magnetic drive pumps, eliminating the need for a shaft seal. Pumps can be serviced with a screwdriver. See the parts list for a breakdown of parts. BC models have an encapsulated impeller magnet.

OPERATION:

Pumps are not self-priming, lack a suction lift, and thus require a **flooded suction**. Pumps **cannot be run dry** because the impeller requires the liquid being pumped for lubrication. For liquids with a specific gravity greater than water, have a higher viscosity, or for elevated temperatures, a trimmed impeller may be necessary. For application assistance, contact March Pump.

ELECTRICAL:

The AC-2CP-MD & AC-2AP-MD open air cooled motors as well as BC-2CP-MD & BC-2AP-MD blast cooled motors are available in different electrical configurations such as, 115V 50/60Hz, or 230V 50/60Hz, 1 phase.

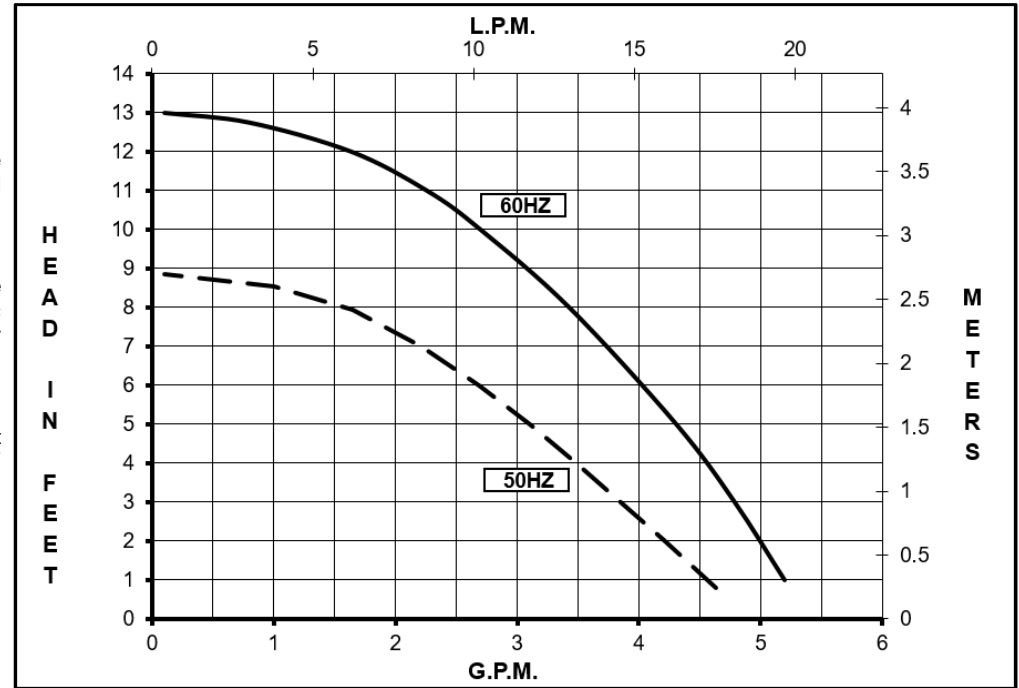
AC-2CP-MD & AC-2AP-MD have an air cooled motor with a 3 ft (0.9 m) cord.

BC-2CP-MD & BC-2AP-MD have a blast cooled motor with a 3 ft (0.9 m) cord.

All motors are U.L. listed and rated for continuous duty.

Model Abbreviations: CP: Threaded Ports, AP: Smooth Ports

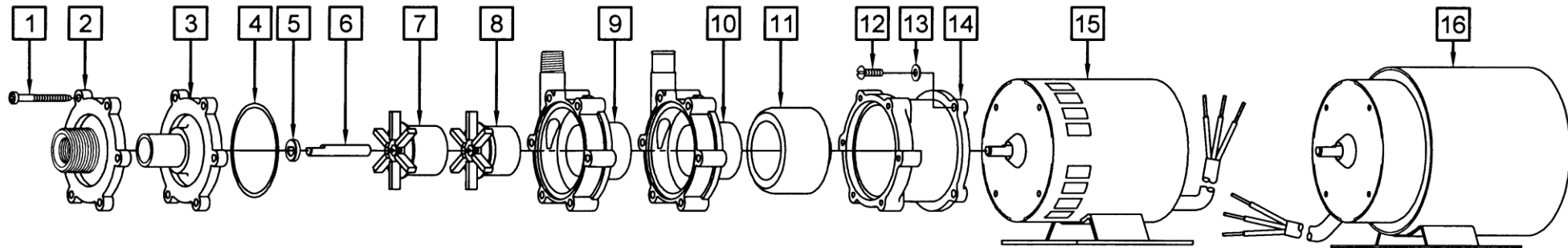
AC-2CP-MD, AC-2AP-MD, BC-2CP-MD, BC-2AP-MD



| SPECIFICATIONS | | AC-2CP-MD | | | | | | | | | | | AC-2AP-MD | | | | | | | | | | | BC-2CP-MD | | | | | | | | | | | BC-2AP-MD | | | | | | | | | | |
|----------------|--|-----------|----------------|--------------------------------|------------------|-----------------------|-----|------------------------|----|----------|---|----------|-----------|------------|------|-------|------|------|--------|-----|-------|-----|--------|-----------|---------------|------|-------|------|------|------|------|-----|------|------|-----------|------|--|--|--|--|--|--|--|--|--|
| | | Product # | | Inlet - Outlet | | Max Internal Pressure | | Max Liquid Temperature | | Max Flow | | Max Head | | ELECTRICAL | | | | | Height | | Width | | Length | | Packed Weight | | | | | | | | | | | | | | | | | | | | |
| | | 115 V | 0125-0069-0100 | 3/8" FPT & 3/4" MPT - 1/4" MPT | 50 psi (344 kPa) | 190 °F (87 °C) | 5.0 | 18.9 | 13 | 5.7 | 4 | 1 | 115 | 1.2 | 1/40 | 0.019 | 3450 | 4.89 | 18.5 | 8.8 | 3.8 | 2.7 | 1 | 115 | 1.2 | 1/40 | 0.019 | 2850 | 4.5 | 11.4 | 3.5 | 8.8 | 7.39 | 18.7 | 4.20 | 1.90 | | | | | | | | | |
| | | 230 V | 0125-0069-0300 | 3/4" OD - 1/2" OD | 50 psi (344 kPa) | 190 °F (87 °C) | 5.0 | 18.9 | 13 | 5.7 | 4 | 1 | 115 | 1.2 | 1/40 | 0.019 | 3450 | 4.89 | 18.5 | 8.8 | 3.8 | 2.7 | 1 | 230 | 0.6 | 1/40 | 0.019 | 2850 | 4.5 | 11.4 | 3.5 | 8.8 | 7.77 | 19.7 | 4.25 | 1.92 | | | | | | | | | |
| | | | | 3/8" FPT & 3/4" MPT - 1/4" MPT | 50 psi (344 kPa) | 190 °F (87 °C) | 5.0 | 18.9 | 13 | 5.7 | 4 | 1 | 115 | 1.2 | 1/40 | 0.019 | 3450 | 4.89 | 18.5 | 8.8 | 3.8 | 2.7 | 1 | 115 | 1.2 | 1/40 | 0.019 | 2850 | 4.56 | 11.5 | 3.91 | 9.9 | 8.36 | 21.2 | 6.20 | 2.81 | | | | | | | | | |
| | | | | 3/4" OD - 1/2" OD | 50 psi (344 kPa) | 190 °F (87 °C) | 5.0 | 18.9 | 13 | 5.7 | 4 | 1 | 230 | 0.5 | 1/40 | 0.019 | 3450 | 4.89 | 18.5 | 8.8 | 3.8 | 2.7 | 1 | 230 | 0.5 | 1/40 | 0.019 | 2850 | 4.56 | 11.5 | 3.91 | 9.9 | 8.73 | 22.1 | 6.25 | 2.83 | | | | | | | | | |

All specifications & data are based on pumping water & are intended as a guideline only. Specifications may vary with different motors.

PARTS LIST



NOTE: When attaching the Drive Magnet to the motor shaft, position the face of the Drive Magnet 1/16 inch below the face of the Motor Bracket.

| AC-2CP-MD | | | | BC-2CP-MD | | | |
|-----------|----------------|---|--|-----------|----------------|---|--|
| 1 | 0115-0062-1000 | 6 | #7-19 x 1-7/16 Long Self-Tapping Screw (Stainless) | 1 | 0115-0062-1000 | 6 | #7-19 x 1-7/16 Long Self-Tapping Screw (Stainless) |
| 2 | 0125-0056-1000 | 1 | Cover with 3/8" FPT x 3/4" MPT Inlet (Polypropylene) | 2 | 0125-0056-1000 | 1 | Cover with 3/8" FPT x 3/4" MPT Inlet (Polypropylene) |
| 4A | 0125-0065-1000 | 1 | 3/32" CS x 2-3/16" OD "O" Ring (Viton) | 4A | 0125-0065-1000 | 1 | 3/32" CS x 2-3/16" OD "O" Ring (Viton) |
| 4B | 0125-0066-1000 | 1 | 3/32" CS x 2-3/16" OD "O" Ring (Buna N) - Option | 4B | 0125-0066-1000 | 1 | 3/32" CS x 2-3/16" OD "O" Ring (Buna N) - Option |
| 5 | 0130-0028-1000 | 1 | Thrust Washer (Ceramic) | 5 | 0130-0028-1000 | 1 | Thrust Washer (Ceramic) |
| 6A | 0125-0061-1000 | 1 | Shaft (Ceramic) | 6A | 0125-0061-1000 | 1 | Shaft (Ceramic) |
| 6B | 0125-0125-1000 | 1 | Shaft (Stainless) - Option | 6B | 0125-0125-1000 | 1 | Shaft (Stainless) - Option |
| 8 | 0125-0055-0100 | 1 | Impeller with Bare Ceramic Magnet (Polypropylene) | 7 | 0125-0087-0200 | 1 | Encapsulated Impeller (Polypropylene) |
| 9 | 0125-0058-1000 | 1 | Rear Housing with 1/4" MPT Outlet (Polypropylene) | 9 | 0125-0058-1000 | 1 | Rear Housing with 1/4" MPT Outlet (Polypropylene) |
| 11 | 0125-0083-0100 | 1 | 0.250" Bore Drive Magnet | 11 | 0125-0083-0100 | 1 | 0.250" Bore Drive Magnet |
| 12 | 0150-0015-1000 | 4 | #8-32 x 1/2" Long Screw (Stainless) | 12 | 0150-0015-1000 | 4 | #8-32 x 1/2" Long Screw (Stainless) |
| 13 | 0858-0004-1000 | 4 | #8 Washer (Stainless) | 13 | 0858-0004-1000 | 4 | #8 Washer (Stainless) |
| 14 | 0125-0069-1000 | 1 | Motor Bracket (Plastic) | 14 | 0125-0069-1000 | 1 | Motor Bracket (Plastic) |
| 15A | 0125-0052-1000 | 1 | Motor, 115 V, 50/60 Hz, Air Cooled | 16A | 0125-0088-1000 | 1 | Motor, 115 V, 50/60 Hz, Blast Cooled |
| 15B | 0125-0063-1000 | 1 | Motor, 230 V, 50/60 Hz, Air Cooled | 16B | 0125-0089-1000 | 1 | Motor, 230 V, 50/60 Hz, Blast Cooled |
| W | 0125-0108-0200 | 1 | Wet End Kit (1, 2, 4A, 5, 6A, 8, 9) | W | 0125-0109-0200 | 1 | Wet End Kit (1, 2, 4A, 5, 6A, 7, 9) |

| AC-2AP-MD | | | | BC-2AP-MD | | | |
|-----------|----------------|---|---|-----------|----------------|---|---|
| 1 | 0115-0062-1000 | 6 | #7-19 x 1-7/16 Long Self-Tapping Screw (Stainless) | 1 | 0115-0062-1000 | 6 | #7-19 x 1-7/16 Long Self-Tapping Screw (Stainless) |
| 3 | 0125-0096-1000 | 1 | Cover with 3/4" OD Smooth Inlet (Polypropylene) | 3 | 0125-0096-1000 | 1 | Cover with 3/4" OD Smooth Inlet (Polypropylene) |
| 4A | 0125-0065-1000 | 1 | 3/32" CS x 2-3/16" OD "O" Ring (Viton) | 4A | 0125-0065-1000 | 1 | 3/32" CS x 2-3/16" OD "O" Ring (Viton) |
| 4B | 0125-0066-1000 | 1 | 3/32" CS x 2-3/16" OD "O" Ring (Buna N) - Option | 4B | 0125-0066-1000 | 1 | 3/32" CS x 2-3/16" OD "O" Ring (Buna N) - Option |
| 5 | 0130-0028-1000 | 1 | Thrust Washer (Ceramic) | 5 | 0130-0028-1000 | 1 | Thrust Washer (Ceramic) |
| 6A | 0125-0061-1000 | 1 | Shaft (Ceramic) | 6A | 0125-0061-1000 | 1 | Shaft (Ceramic) |
| 6B | 0125-0125-1000 | 1 | Shaft (Stainless) - Option | 6B | 0125-0125-1000 | 1 | Shaft (Stainless) - Option |
| 8 | 0125-0055-0100 | 1 | Impeller with Bare Ceramic Magnet (Polypropylene) | 7 | 0125-0087-0200 | 1 | Encapsulated Impeller (Polypropylene) |
| 10 | 1008-0001-1000 | 1 | Rear Housing with 1/2" OD Smooth Outlet (Polypropylene) | 10 | 1008-0001-1000 | 1 | Rear Housing with 1/2" OD Smooth Outlet (Polypropylene) |
| 11 | 0125-0083-0100 | 1 | 0.250" Bore Drive Magnet | 11 | 0125-0083-0100 | 1 | 0.250" Bore Drive Magnet |
| 12 | 0150-0015-1000 | 4 | #8-32 x 1/2" Long Screw (Stainless) | 12 | 0150-0015-1000 | 4 | #8-32 x 1/2" Long Screw (Stainless) |
| 13 | 0858-0004-1000 | 4 | #8 Washer (Stainless) | 13 | 0858-0004-1000 | 4 | #8 Washer (Stainless) |
| 14 | 0125-0069-1000 | 1 | Motor Bracket (Plastic) | 14 | 0125-0069-1000 | 1 | Motor Bracket (Plastic) |
| 15A | 0125-0052-1000 | 1 | Motor, 115 V, 50/60 Hz, Air Cooled | 16A | 0125-0088-1000 | 1 | Motor, 115 V, 50/60 Hz, Blast Cooled |
| 15B | 0125-0063-1000 | 1 | Motor, 230 V, 50/60 Hz, Air Cooled | 16B | 0125-0089-1000 | 1 | Motor, 230 V, 50/60 Hz, Blast Cooled |

MATERIALS IN CONTACT WITH SOLUTION
AC-2CP-MD & AC-2AP-MD: Polypropylene, Ceramic, Viton, Ceramic Magnet
BC-2CP-MD & BC-2AP-MD: Polypropylene, Ceramic, Viton

LIMITED WARRANTY:

March pumps are guaranteed only against defects in workmanship or materials for a period of one year from date of manufacture pumping water. For the complete warranty and to register online go to www.marchpump.com/warranty-registration

NOTE: Contact Factory for other materials and/or parts not listed.

0125-0076-1000 R27