



MARCH PUMPS

1819 PICKWICK AVE., GLENVIEW, IL 60026-1306, U.S.A
 PHONE: (847) 729-5300 - FAX: (847) 729-7062
 WWW.MARCHPUMP.COM

DESCRIPTION:

Series 2 are centrifugal magnetic drive pumps, eliminating the need for a shaft seal. Pumps can be serviced with a screwdriver. See the parts list for a breakdown of parts. BC models have an encapsulated impeller magnet.

OPERATION:

Pumps are not self-priming, lack a suction lift, and thus require a **flooded suction**. Pumps **cannot be run dry** because the impeller requires the liquid being pumped for lubrication. For liquids with a specific gravity greater than water, have a higher viscosity, or for elevated temperatures, a trimmed impeller may be necessary. For application assistance, contact March Pump.

ELECTRICAL:

The AC-2CP-MD & AC-2AP-MD open air cooled motors as well as BC-2CP-MD & BC-2AP-MD blast cooled motors are available in different electrical configurations such as, 115V 50/60Hz, or 230V 50/60Hz, 1 phase.

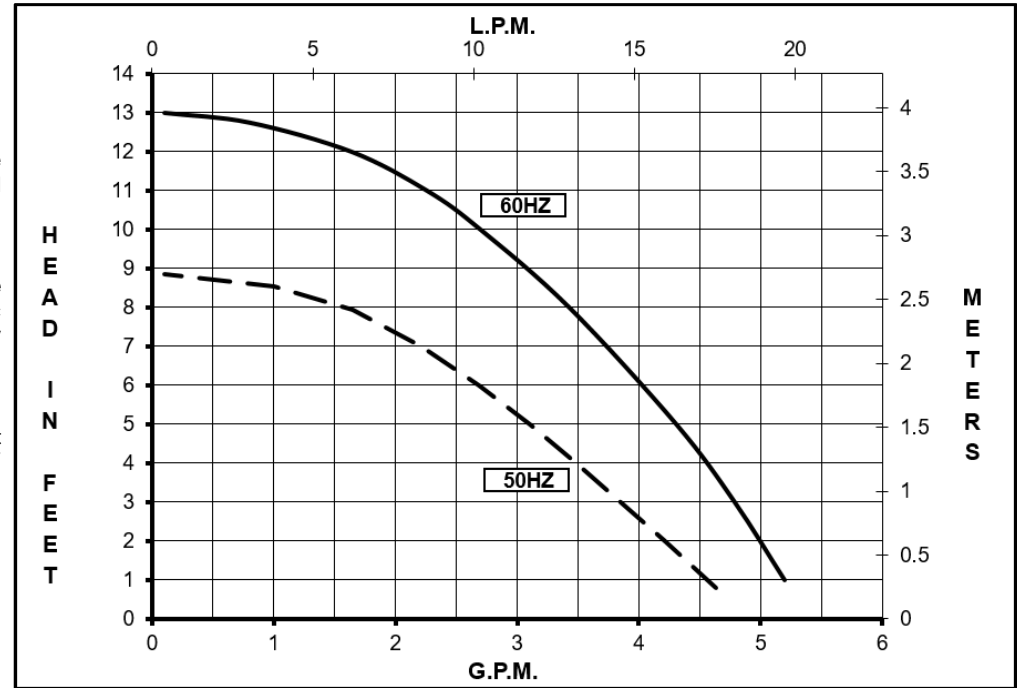
AC-2CP-MD & AC-2AP-MD have an air cooled motor with a 3 ft (0.9 m) cord.

BC-2CP-MD & BC-2AP-MD have a blast cooled motor with a 3 ft (0.9 m) cord.

All motors are U.L. listed and rated for continuous duty.

Model Abbreviations: CP: Threaded Ports, AP: Smooth Ports

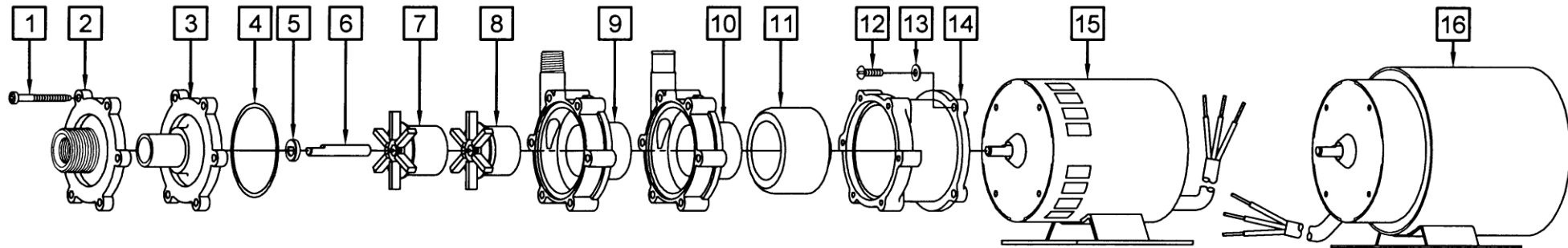
AC-2CP-MD, AC-2AP-MD, BC-2CP-MD, BC-2AP-MD



SPECIFICATIONS		AC-2CP-MD											AC-2AP-MD											BC-2CP-MD											BC-2AP-MD										
		115 V		230 V		3/8" FPT & 3/4" MPT - 1/4" MPT		50 psi (344 kPa)		190 °F (87 °C)		0125-0069-0100		0125-0069-0300		3/4" OD - 1/2" OD		50 psi (344 kPa)		190 °F (87 °C)		0125-0088-0100		0125-0088-0200		3/8" FPT & 3/4" MPT - 1/4" MPT		50 psi (344 kPa)		190 °F (87 °C)		0125-0088-0400		0125-0088-0500		3/4" OD - 1/2" OD		50 psi (344 kPa)		190 °F (87 °C)					
MODEL	Max Flow		Max Head		ELECTRICAL											Height		Width		Length		Packed Weight																							
	gpm	lpm	ft	psi	Ph	V	A	Hp	kW	Rpm	gpm	lpm	ft	psi	m	Ph	V	A	Hp	kW	Rpm	Inches	cm	Inches	cm	Inches	cm	lbs	kg																
AC-2CP-MD	5.0	18.9	13	5.7	4	1	115	1.2	1/40	0.019	3450	4.89	18.5	8.8	3.8	2.7	1	115	1.2	1/40	0.019	2850	4.5	11.4	3.5	8.8	7.39	18.7	4.20	1.90															
							230	0.6										230	0.6										4.25	1.92															
AC-2AP-MD	5.0	18.9	13	5.7	4	1	115	1.2	1/40	0.019	3450	4.89	18.5	8.8	3.8	2.7	1	115	1.2	1/40	0.019	2850	4.5	11.4	3.5	8.8	7.77	19.7	4.20	1.90															
							230	0.6										230	0.6										4.25	1.92															
BC-2CP-MD	5.0	18.9	13	5.7	4	1	115	1.2	1/40	0.019	3450	4.89	18.5	8.8	3.8	2.7	1	115	1.2	1/40	0.019	2850	4.56	11.5	3.91	9.9	8.36	21.2	6.20	2.81															
							230	0.5										230	0.5										6.25	2.83															
BC-2AP-MD	5.0	18.9	13	5.7	4	1	115	1.2	1/40	0.019	3450	4.89	18.5	8.8	3.8	2.7	1	115	1.2	1/40	0.019	2850	4.56	11.5	3.91	9.9	8.73	22.1	6.20	2.81															
							230	0.5										230	0.5										6.25	2.83															

All specifications & data are based on pumping water & are intended as a guideline only. Specifications may vary with different motors.

PARTS LIST



NOTE: When attaching the Drive Magnet to the motor shaft, position the face of the Drive Magnet 1/16 inch below the face of the Motor Bracket.

AC-2CP-MD				BC-2CP-MD			
1	0115-0062-1000	6	#7-19 x 1-7/16 Long Self-Tapping Screw (Stainless)	1	0115-0062-1000	6	#7-19 x 1-7/16 Long Self-Tapping Screw (Stainless)
2	0125-0056-1000	1	Cover with 3/8" FPT x 3/4" MPT Inlet (Polypropylene)	2	0125-0056-1000	1	Cover with 3/8" FPT x 3/4" MPT Inlet (Polypropylene)
4A	0125-0065-1000	1	3/32" CS x 2-3/16" OD "O" Ring (Viton)	4A	0125-0065-1000	1	3/32" CS x 2-3/16" OD "O" Ring (Viton)
4B	0125-0066-1000	1	3/32" CS x 2-3/16" OD "O" Ring (Buna N) - Option	4B	0125-0066-1000	1	3/32" CS x 2-3/16" OD "O" Ring (Buna N) - Option
5	0130-0028-1000	1	Thrust Washer (Ceramic)	5	0130-0028-1000	1	Thrust Washer (Ceramic)
6A	0125-0061-1000	1	Shaft (Ceramic)	6A	0125-0061-1000	1	Shaft (Ceramic)
6B	0125-0125-1000	1	Shaft (Stainless) - Option	6B	0125-0125-1000	1	Shaft (Stainless) - Option
8	0125-0055-0100	1	Impeller with Bare Ceramic Magnet (Polypropylene)	7	0125-0087-0200	1	Encapsulated Impeller (Polypropylene)
9	0125-0058-1000	1	Rear Housing with 1/4" MPT Outlet (Polypropylene)	9	0125-0058-1000	1	Rear Housing with 1/4" MPT Outlet (Polypropylene)
11	0125-0083-0100	1	0.250" Bore Drive Magnet	11	0125-0083-0100	1	0.250" Bore Drive Magnet
12	0150-0015-1000	4	#8-32 x 1/2" Long Screw (Stainless)	12	0150-0015-1000	4	#8-32 x 1/2" Long Screw (Stainless)
13	0858-0004-1000	4	#8 Washer (Stainless)	13	0858-0004-1000	4	#8 Washer (Stainless)
14	0125-0069-1000	1	Motor Bracket (Plastic)	14	0125-0069-1000	1	Motor Bracket (Plastic)
15A	0125-0052-1000	1	Motor, 115 V, 50/60 Hz, Air Cooled	16A	0125-0088-1000	1	Motor, 115 V, 50/60 Hz, Blast Cooled
15B	0125-0063-1000	1	Motor, 230 V, 50/60 Hz, Air Cooled	16B	0125-0089-1000	1	Motor, 230 V, 50/60 Hz, Blast Cooled
W	0125-0108-0200	1	Wet End Kit (1, 2, 4A, 5, 6A, 8, 9)	W	0125-0109-0200	1	Wet End Kit (1, 2, 4A, 5, 6A, 7, 9)

AC-2AP-MD				BC-2AP-MD			
1	0115-0062-1000	6	#7-19 x 1-7/16 Long Self-Tapping Screw (Stainless)	1	0115-0062-1000	6	#7-19 x 1-7/16 Long Self-Tapping Screw (Stainless)
3	0125-0096-1000	1	Cover with 3/4" OD Smooth Inlet (Polypropylene)	3	0125-0096-1000	1	Cover with 3/4" OD Smooth Inlet (Polypropylene)
4A	0125-0065-1000	1	3/32" CS x 2-3/16" OD "O" Ring (Viton)	4A	0125-0065-1000	1	3/32" CS x 2-3/16" OD "O" Ring (Viton)
4B	0125-0066-1000	1	3/32" CS x 2-3/16" OD "O" Ring (Buna N) - Option	4B	0125-0066-1000	1	3/32" CS x 2-3/16" OD "O" Ring (Buna N) - Option
5	0130-0028-1000	1	Thrust Washer (Ceramic)	5	0130-0028-1000	1	Thrust Washer (Ceramic)
6A	0125-0061-1000	1	Shaft (Ceramic)	6A	0125-0061-1000	1	Shaft (Ceramic)
6B	0125-0125-1000	1	Shaft (Stainless) - Option	6B	0125-0125-1000	1	Shaft (Stainless) - Option
8	0125-0055-0100	1	Impeller with Bare Ceramic Magnet (Polypropylene)	7	0125-0087-0200	1	Encapsulated Impeller (Polypropylene)
10	1008-0001-1000	1	Rear Housing with 1/2" OD Smooth Outlet (Polypropylene)	10	1008-0001-1000	1	Rear Housing with 1/2" OD Smooth Outlet (Polypropylene)
11	0125-0083-0100	1	0.250" Bore Drive Magnet	11	0125-0083-0100	1	0.250" Bore Drive Magnet
12	0150-0015-1000	4	#8-32 x 1/2" Long Screw (Stainless)	12	0150-0015-1000	4	#8-32 x 1/2" Long Screw (Stainless)
13	0858-0004-1000	4	#8 Washer (Stainless)	13	0858-0004-1000	4	#8 Washer (Stainless)
14	0125-0069-1000	1	Motor Bracket (Plastic)	14	0125-0069-1000	1	Motor Bracket (Plastic)
15A	0125-0052-1000	1	Motor, 115 V, 50/60 Hz, Air Cooled	16A	0125-0088-1000	1	Motor, 115 V, 50/60 Hz, Blast Cooled
15B	0125-0063-1000	1	Motor, 230 V, 50/60 Hz, Air Cooled	16B	0125-0089-1000	1	Motor, 230 V, 50/60 Hz, Blast Cooled

MATERIALS IN CONTACT WITH SOLUTION
AC-2CP-MD & AC-2AP-MD: Polypropylene, Ceramic, Viton, Ceramic Magnet
BC-2CP-MD & BC-2AP-MD: Polypropylene, Ceramic, Viton

LIMITED WARRANTY:

March pumps are guaranteed only against defects in workmanship or materials for a period of one year from date of manufacture pumping water. For the complete warranty and to register online go to www.marchpump.com/warranty-registration

NOTE: Contact Factory for other materials and/or parts not listed.

0125-0076-1000 R27