



MARCH PUMPS

1819 PICKWICK AVE., GLENVIEW, IL 60026-1306, U.S.A
 PHONE: (847) 729-5300 - FAX: (847) 729-7062
 WWW.MARCHPUMP.COM

CONSTRUCTION & SERVICING:

The pumps listed below are magnetic drive centrifugal pumps. Hence, there is no rotating seal to wear and allow the liquid being pumped to leak out. All pumps are serviceable with the use of a screwdriver or wrench. The only moving part other than the motor is the Impeller Assembly. This assembly rotates on a stationary shaft and up against a thrust washer. These are the only parts that can wear, and may need to be replaced. See the parts list for parts.

OPERATION:

Pumps must be installed with a positive flooded suction, as they are not self-priming and will not produce a suction lift. March Pumps utilize the liquid being pumped to lubricate the Impeller Assembly rotating on the stationary shaft, and therefore they should not run dry. A carbon bushing on the 4 & 5 series will enable dry running protection. The direction of the motor rotation should be clockwise looking into the inlet of the pump. A trimmed impeller may be necessary when pumping a liquid with a specific gravity or viscosity greater than water as well in cases of high liquid temperature.

MOTORS:

All models have an air motor. All have a 1/8" NPT air connection. Motors are 1/8 Hp (0.093 kW).

AIR MOTOR INSTALLATION:

Install a moisture trap, filter, and an automatic airline lubricator in the air line just ahead of the air motor. Use detergent SAE #10 automotive engine oil.

LIMITED WARRANTY:

March pumps are guaranteed only against defects in workmanship or materials for a period of one year from date of manufacture pumping water. For the complete warranty and to register online go to www.marchpump.com/warranty-registration

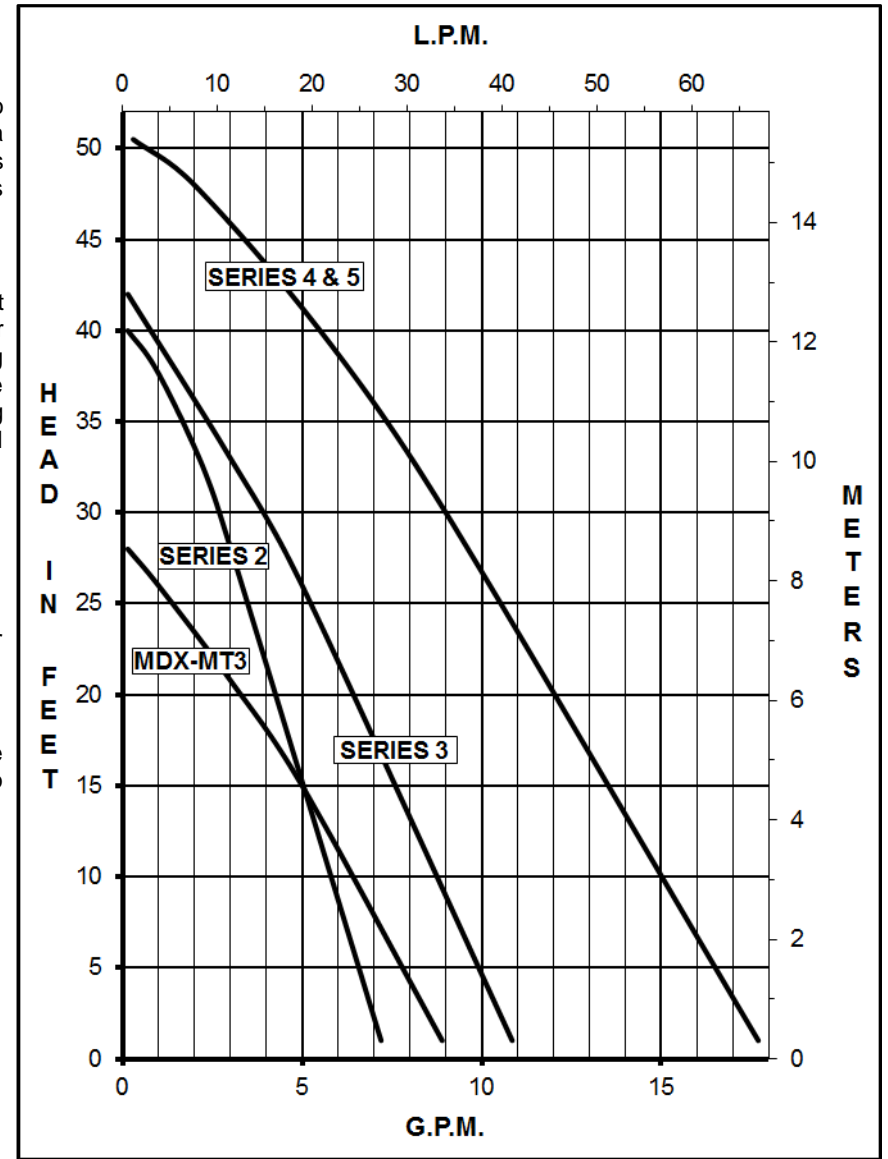
MATERIALS IN CONTACT WITH SOLUTION:

BC-2CP-MD-AM: Polypropylene, Ceramic, Viton
 BC-3CP-MD-AM: Polypropylene, Ceramic, Viton
 BC-3AP-MD-AM: Polypropylene, Ceramic, Viton
 MDX-MT3-AM: Ryton, Ceramic, Viton
 MDK-MT3-AM: Kynar/Carbon/Glass Filled, Ceramic, Viton
 BC-4C-MD-AM: Polypropylene, Ceramic, Viton
 BC-4A-MD-AM: Polypropylene, Ceramic, Viton
 TE-5C-MD-AM: Polypropylene, Ceramic, Viton
 TE-5K-MD-AM: Kynar/Glass Filled, Ceramic, Viton
 TE-5S-MD-AM: 316 Stainless Steel, Ceramic, Viton, Carbon

MODEL ABBREVIATIONS:

C: Threaded Inlet/Outlet
 A: Smooth Inlet/Outlet
 K: Kynar
 S: Stainless

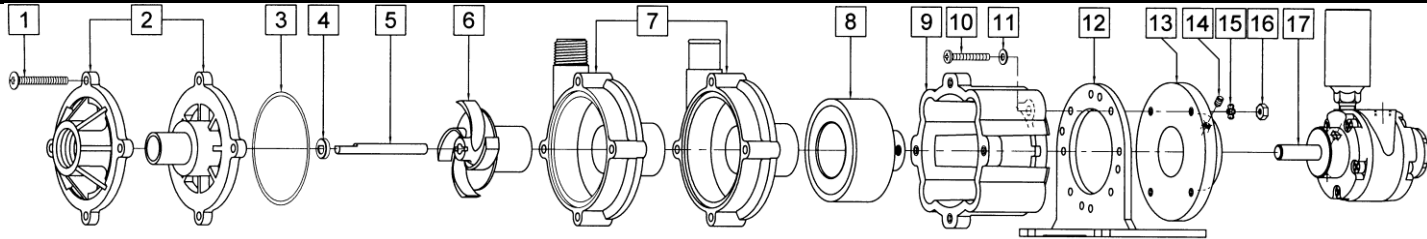
Pumps with Air Motors



SPECIFICATIONS																							
MODEL (Product #)	Image	Max Flow		Max Head			Inlet	Outlet	Max Internal Pressure		Max Liquid Temperature		Max Air Pressure			Height		Width		Length		Packed Weight	
		gpm	lpm	ft	psi	m			psi	kPa	°F	°C	psi	bar	CFM	Inches	cm	Inches	cm	Inches	cm	lbs	kg
BC-2CP-MD-AM (0125-0088-0300)		7.2	27.2	40	17.3	12.1	3/8" FPT & 3/4" MPT	1/4" MPT	50	344	190	87	23	1.5	4	5.72	14.5	4.5	11.4	7	17.7	4	1.8
BC-3CP-MD-AM (0130-0018-0700)		10.5	39.7	42	18.2	12.8	3/4" FPT	1/2" MPT	50	344	190	87	29	2	4	5.72	14.5	4.5	11.4	7.33	18.6	4.5	2
BC-3AP-MD-AM (0130-0018-0900)		10.5	39.7	42	18.2	12.8	3/4" OD	3/4" OD	50	344	190	87	29	2	4	5.72	14.5	4.5	11.4	7.33	18.6	4.5	2
MDX-MT3-AM (0135-0036-0200) MDK-MT3-AM (0135-0036-0300)		9	34.0	28	12.1	8.5	1/2" MPT	1/2" MPT	75	517	200	93	21	1.4	3	5.72	14.5	4.5	11.4	7.42	18.8	4	1.8
BC-4C-MD-AM (0145-0010-0600)		18	68.1	50	21.6	15.2	1" FPT	1/2" MPT	50	344	190	87	65	4.4	8	5.72	14.5	4.5	11.4	8.28	21	5	2.3
BC-4A-MD-AM (0145-0053-0100)		18	68.1	50	21.6	15.2	1" OD	3/4" OD	50	344	190	87	65	4.4	8	5.72	14.5	4.5	11.4	8.84	22.4	5	2.3
TE-5C-MD-AM (0150-0120-0300) TE-5K-MD-AM (0150-0120-0400)		18	68.1	50	21.6	15.2	1" FPT	1/2" MPT	50	344	190	87	60	4.1	7	5.72	14.5	4.5	11.4	8.28	21	5	2.3
75	517								200	93													
TE-5S-MD-AM (0150-0120-0500)		18	68.1	50	21.6	15.2	1" FPT	1/2" MPT	200	1378	250	121	60	4.1	7	5.72	14.5	4.5	11.4	8.59	21.8	7.5	3

All specifications & data are based on pumping water & are intended as a guideline only. Specifications may vary with different motors.

PARTS LISTS

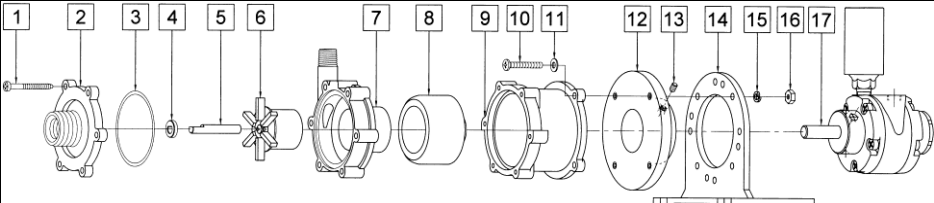


BC-3CP-MD-AM

1	0823-0008-1000	4 Req.	#10-32 x 1-1/2" Lg. Screw (Stainless)
2	0130-0021-1000	1 Req.	Cover w/3/4" FPT Inlet (Polypropylene)
3	0130-0033-1000	1 Req.	3/32" CS x 2-13/16" OD "O" Ring (Viton)
4	0130-0028-1000	1 Req.	Thrust Washer (Ceramic)
5	0130-0024-1000	1 Req.	1/4" OD x 2.5" Lg. Shaft (Ceramic)
6	0130-0069-0200	1 Req.	Impeller Encapsulated (Polypropylene)
7	0130-0018-1000	1 Req.	Rear Housing w/1/2"MPT Outlet (Polypropylene)
8	0130-0043-0300	1 Req.	Drive Magnet
9	0130-0066-0100	1 Req.	Motor Bracket
10	0115-0023-1000	4 Req.	#8-32 1-1/8" Lg. Screw
11	0858-0004-1000	4 Req.	#8 Washer
12	0125-0106-1000	1 Req.	Base
13	0986-0001-0100	1 Req.	Connecting Bracket
14	0210-0038-1000	2 Req.	#8-32 Set Screw
15	0140-0014-1000	4 Req.	#8 External Tooth Lock Washer
16	0410-0039-1000	4 Req.	#8 Nut
17	0986-0002-1000	1 Req.	Air Motor

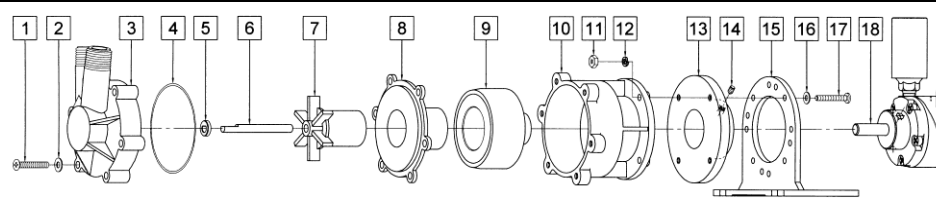
BC-3AP-MD-AM

1	0823-0008-1000	4 Req.	#10-32 x 1-1/2" Lg. Screw (Stainless)
2	0130-0064-1000	1 Req.	Cover w/3/4" OD Inlet (Polypropylene)
3	0130-0033-1000	1 Req.	3/32" CS x 2-13/16" OD "O" Ring (Viton)
4	0130-0028-1000	1 Req.	Thrust Washer (Ceramic)
5	0130-0024-1000	1 Req.	1/4" OD x 2.5" Lg. Shaft (Ceramic)
6	0130-0069-0200	1 Req.	Impeller Encapsulated (Polypropylene)
7	0130-0102-1000	1 Req.	Rear Housing w/3/4"OD Outlet (Polypropylene)
8	0130-0043-0300	1 Req.	Drive Magnet
9	0130-0066-0100	1 Req.	Motor Bracket
10	0115-0023-1000	4 Req.	#8-32 1-1/8" Lg. Screw
11	0858-0004-1000	4 Req.	#8 Washer
12	0125-0106-1000	1 Req.	Base
13	0986-0001-0100	1 Req.	Connecting Bracket
14	0210-0038-1000	2 Req.	#8-32 Set Screw
15	0140-0014-1000	4 Req.	#8 External Tooth Lock Washer
16	0410-0039-1000	4 Req.	#8 Nut
17	0986-0002-1000	1 Req.	Air Motor



BC-2CP-MD-AM

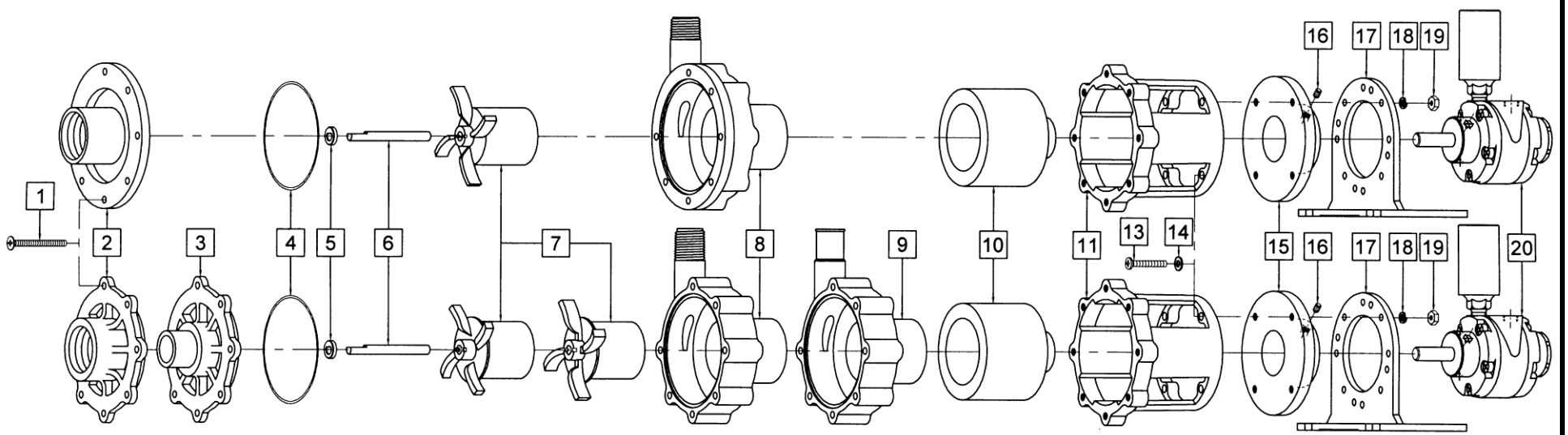
1	0115-0062-1000	6 Req.	#7-19 x 1-7/16" Lg. Screw Self Tapping (Stainless)
2	0125-0056-1000	1 Req.	Cover w/3/8" FPT & 3/4" MPT Inlet (Polypropylene)
3	0125-0065-1000	1 Req.	3/32" CS x 2-3/16" OD "O" Ring (Viton)
4	0130-0028-1000	1 Req.	Thrust Washer (Ceramic)
5	0125-0061-1000	1 Req.	1/4" OD x 1.593" Lg. Shaft (Ceramic)
6	0125-0087-0200	1 Req.	Impeller Encapsulated (Polypropylene)
7	0125-0058-1000	1 Req.	Rear Housing w/1/4" MPT Outlet (Polypropylene)
8	0125-0092-0000	1 Req.	Drive Magnet
9	0125-0069-1000	1 Req.	Motor Bracket
10	0115-0023-1000	4 Req.	#8-32 x 1-1/8" Lg. Screw
11	0858-0004-1000	4 Req.	#8 Washer
12	0986-0001-0100	1 Req.	Connecting Bracket
13	0210-0038-1000	2 Req.	#8-32 Set Screw
14	0125-0106-1000	1 Req.	Base
15	0858-0003-1000	4 Req.	#8 Split Lock Washer
16	0410-0039-1000	4 Req.	#8 Nut
17	0986-0002-1000	1 Req.	Air Motor



MDX-MT3-AM & MDK-MT3-AM

1	0135-0181-1000	6 Req.	#10-32 x 1-1/8 Lg. Screw (Stainless)
2	0150-0051-1000	6 Req.	#10 Washer (Stainless)
3	0135-0088-1000	1 Req.	Front Housing w/1/2" MPT (Ryton) – MDX-MT3-AM
	0135-0152-1000	1 Req.	Front Housing w/1/2" MPT (Kynar) – MDK-MT3-AM
4	0135-0046-1000	1 Req.	1/16" CS x 2-7/8" OD "O" Ring (Viton)
5	0130-0028-1000	1 Req.	Thrust Washer (Ceramic)
6	0130-0024-1000	1 Req.	1/4" OD x 2.5" Lg. Shaft (Ceramic)
7	0135-0113-0200	1 Req.	Impeller Encapsulated (Ryton) – MDX-MT3-AM
	0135-0154-0200	1 Req.	Impeller Encapsulated (Kynar) – MDK-MT3-AM
8	0135-0087-1000	1 Req.	Rear Housing (Ryton) – MDX-MT3-AM
	0135-0153-1000	1 Req.	Rear Housing (Kynar) – MDK-MT3-AM
9	0130-0043-0300	1 Req.	Drive Magnet
10	0135-0135-0000	1 Req.	Motor Bracket
11	0410-0039-1000	4 Req.	#8 Nut
12	0858-0003-1000	4 Req.	#8 Split Lock Washer
13	0986-0001-0100	1 Req.	Connecting Bracket
14	0210-0038-1000	2 Req.	#8-32 Set Screw
15	0125-0106-1000	1 Req.	Base
16	0858-0004-1000	4 Req.	#8 Washer
17	0115-0023-1000	4 Req.	#8-32 x 1-1/8" Lg. Screw
18	0986-0002-1000	1 Req.	Air Motor

PARTS LISTS



BC-4C-MD-AM

1	0150-0021-1000	7 Req.	#8-32 x 1-3/4" Lg. Screw (Stainless)
2	0150-0032-1000	1 Req.	Cover w/1" FPT (Polypropylene)
4	0750-0986-1000	1 Req.	0.078" CS x 2.834" ID "O" Ring (Viton)
5	0130-0028-1000	1 Req.	Thrust Washer (Ceramic)
6	0130-0024-1000	1 Req.	1/4" OD x 2.5" Lg. Shaft (Ceramic)
7	0145-0033-0200	1 Req.	Impeller Encapsulated (Polypropylene)
8	0150-0031-0100	1 Req.	Rear Housing w/Ceramic Thrust Washer (Polypropylene) 1/2" MPT Outlet
10	0151-0061-0200	1 Req.	Drive Magnet
11	0145-0010-1000	1 Req.	Motor Bracket
13	0115-0023-1000	4 Req.	#8-32 x 1-1/8" Lg. Screw
14	0858-0004-1000	4 Req.	#8 Washer
15	0986-0001-0100	1 Req.	Connecting Bracket
16	0210-0038-1000	2 Req.	#8-32 Set Screw
17	0125-0106-1000	1 Req.	Base
18	0858-0003-1000	4 Req.	#8 Split Lock Washer
19	0410-0039-1000	4 Req.	#8 Nut
20	0986-0002-1000	1 Req.	Air Motor

BC-4A-MD-AM

1	0150-0021-1000	7 Req.	#8-32 x 1-3/4" Lg. Screw (Stainless)
3	0150-0150-1000	1 Req.	Cover w/1" OD Inlet (Polypropylene)
4	0750-0986-1000	1 Req.	0.078" CS x 2.834" ID "O" Ring (Viton)
5	0130-0028-1000	1 Req.	Thrust Washer (Ceramic)
6	0130-0024-1000	1 Req.	1/4" OD x 2.5" Lg. Shaft (Ceramic)
7	0145-0033-0200	1 Req.	Impeller Encapsulated (Polypropylene)
9	0150-0159-0100	1 Req.	Rear Housing w/Ceramic Thrust Washer (Polypropylene) 3/4" OD Outlet
10	0151-0061-0200	1 Req.	Drive Magnet
11	0145-0010-1000	1 Req.	Motor Bracket
13	0115-0023-1000	4 Req.	#8-32 x 1-1/8" Lg. Screw
14	0858-0004-1000	4 Req.	#8 Washer
15	0986-0001-0100	1 Req.	Connecting Bracket
16	0210-0038-1000	2 Req.	#8-32 Set Screw
17	0125-0106-1000	1 Req.	Base
18	0858-0003-1000	4 Req.	#8 Split Lock Washer
19	0410-0039-1000	4 Req.	#8 Nut
20	0986-0002-1000	1 Req.	Air Motor

TE-5C-MD-AM

1	0150-0021-1000	7 Req.	#8-32 x 1-3/4 Lg. Screw (Stainless)
2	0150-0032-1000	1 Req.	Cover w/1" FPT Inlet (Polypropylene)
4	0750-0986-1000	1 Req.	0.078" CS x 2.834" ID "O" Ring (Viton)
5	0130-0028-1000	1 Req.	Thrust Washer (Ceramic)
6	0130-0024-1000	1 Req.	1/4" OD x 2.5" Lg. Shaft (Ceramic)
7	0150-0098-0200	1 Req.	Impeller Encapsulated (Polypropylene)
8	0150-0031-0100	1 Req.	Rear Housing w/Ceramic Thrust Washer (Polypropylene) 1/2" MPT Outlet
10	0151-0061-0200	1 Req.	Drive Magnet
11	0145-0010-1000	1 Req.	Motor Bracket
13	0115-0023-1000	4 Req.	#8-32 x 1-1/8" Lg. Screw
14	0858-0004-1000	4 Req.	#8 Washer
15	0986-0001-0100	1 Req.	Connecting Bracket
16	0210-0038-1000	2 Req.	#8-32 Set Screw
17	0125-0106-1000	1 Req.	Base
18	0858-0003-1000	4 Req.	#8 Split Lock Washer
19	0410-0039-1000	4 Req.	#8 Nut
20	0986-0002-1000	1 Req.	Air Motor

TE-5K-MD-AM

1	0150-0021-1000	7 Req.	#8-32 x 1-3/4 Lg. Screw (Stainless)
2	0150-0124-1000	1 Req.	Cover w/1" FPT Inlet (Kynar)
4	0750-0986-1000	1 Req.	0.078" CS x 2.834" ID "O" Ring (Viton)
5	0130-0028-1000	1 Req.	Thrust Washer (Ceramic)
6	0130-0024-1000	1 Req.	1/4" OD x 2.5" Lg. Shaft (Ceramic)
7	0150-0125-0200	1 Req.	Impeller Encapsulated (Kynar)
8	0150-0123-0100	1 Req.	Rear Housing w/Ceramic Thrust Washer (Kynar) 1/2" MPT Outlet
10	0151-0061-0200	1 Req.	Drive Magnet
11	0145-0010-1000	1 Req.	Motor Bracket
13	0115-0023-1000	4 Req.	#8-32 x 1-1/8" Lg. Screw
14	0858-0004-1000	4 Req.	#8 Washer
15	0986-0001-0100	1 Req.	Connecting Bracket
16	0210-0038-1000	2 Req.	#8-32 Set Screw
17	0125-0106-1000	1 Req.	Base
18	0858-0003-1000	4 Req.	#8 Split Lock Washer
19	0410-0039-1000	4 Req.	#8 Nut
20	0986-0002-1000	1 Req.	Air Motor

TE-5S-MD-AM

1	0150-0021-1000	7 Req.	#8-32 x 1-3/4 Lg. Screw (Stainless)
2	0150-0111-0010	1 Req.	Cover w/1" FPT (316 Stainless)
4	0750-0986-1000	1 Req.	0.078" CS x 2.834" ID "O" Ring (Viton)
5	0130-0028-1000	1 Req.	Thrust Washer (Ceramic)
6	0130-0024-1000	1 Req.	1/4" OD x 2.5" Lg. Shaft (Ceramic)
7	0150-0114-0400	1 Req.	Impeller Encaps. (Stainless w/Carbon Bush)
8	0150-0110-0010	1 Req.	Rear Housing w/Ceramic Thrust Washer (316 Stainless) 1/2" MPT Outlet
10	0151-0061-0200	1 Req.	Drive Magnet
11	0145-0010-1000	1 Req.	Motor Bracket
13	0115-0023-1000	4 Req.	#8-32 x 1-1/8" Lg. Screw
14	0858-0004-1000	4 Req.	#8 Washer
15	0986-0001-0100	1 Req.	Connecting Bracket
16	0210-0038-1000	2 Req.	#8-32 Set Screw
17	0125-0106-1000	1 Req.	Base
18	0858-0003-1000	4 Req.	#8 Split Lock Washer
19	0410-0039-1000	4 Req.	#8 Nut
20	0986-0002-1000	1 Req.	Air Motor

NOTE: Contact Factory for other materials and/or parts not listed.