



MARCH PUMPS

1819 PICKWICK AVE., GLENVIEW, IL 60026-1306, U.S.A
 PHONE: (847) 729-5300 - FAX: (847) 729-7062
 WWW.MARCHPUMP.COM

LC-3CP-MD

DESCRIPTION:

The LC-3CP-MD is a centrifugal magnetic drive pump, eliminating the need for a shaft seal. Pumps are serviceable with a screwdriver. The "LC" is hermetically encapsulated and liquid cooled which allows the pump to be run fully submerged or in open air for complete moisture protection.

OPERATION:

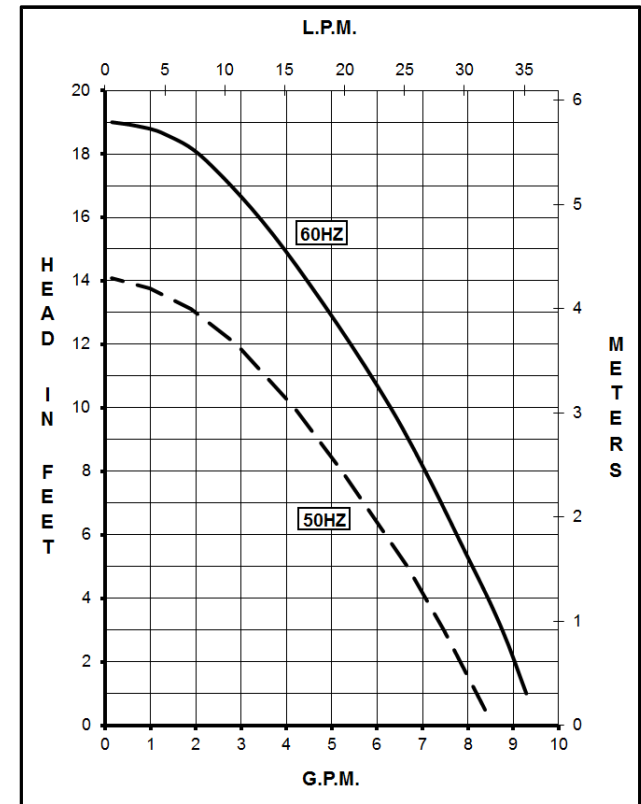
Pumps are not self-priming, lack a suction lift, and thus require a **flooded suction**. Pumps **cannot be run dry** because the impeller requires the liquid being pumped for lubrication. For liquids with a specific gravity greater than water, have a higher viscosity, or for elevated temperatures, a trimmed impeller may be necessary. For application assistance, contact March Pump.

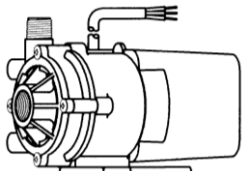
ELECTRICAL:

Motors are available in different electrical configurations such as 115 Volt 50/60 Hz, or 230 Volt 50/60 Hz, 1 phase. The motors are U.L. listed and rated as continuous duty. Models have a 6 foot (1.8 m) cord.

LIMITED WARRANTY:

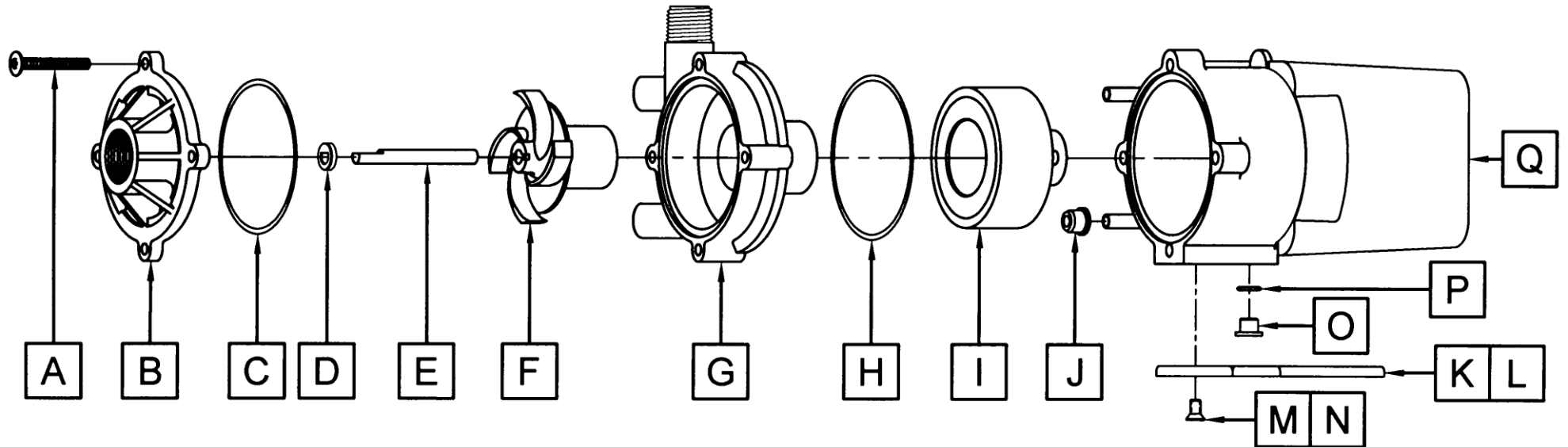
March pumps are guaranteed only against defects in workmanship or materials for a period of one year from date of manufacture pumping water. For the complete warranty and to register online go to www.marchpump.com/warranty-registration



SPECIFICATIONS		LC-3CP-MD																														
																																
Product #	115 V 230 V	0130-0158-0200 0130-0159-0200																														
Inlet - Outlet		3/4" FPT - 1/2" MPT																														
Max Internal Pressure		25 psi / 172 kPa																														
Max Liquid Temperature		130 °F / 54 °C																														
MODEL	60 Hz												50 Hz												Height		Width		Length		Packed Weight	
	Max Flow gpm lpm	Max Head			ELECTRICAL					Max Flow gpm lpm	Max Head			ELECTRICAL					Inches	cm	Inches	cm	Inches	cm	lbs	kg						
LC-3CP-MD	8.5 32.2	19	8.2	5.8	1	115	2.0	1/20	0.037	3450	8.2	31	14.1	6.1	4.3	1	115	2.3	1/20	0.037	2850	4.87	12.3	4.75	12.0	7.38	18.7	7.90	3.58			
						230	1.0										230	1.0										7.95	3.60			

All specifications & data are based on pumping water & are intended as a guideline only. Specifications may vary with different motors.

PARTS LIST



#	DESCRIPTION	MATERIAL	SIZE (Inches)	QTY.	PART #
A	Screw	Stainless	#10-32 x 1-1/2 Lg.	4	0823-0008-1000
B	Cover	Polypropylene	3/4 FPT	1	0130-0021-1000
C	"O" Ring	Buna N	3/32 CS x 2-13/16 OD	1	0130-0011-1000
D	Thrust Washer	Ceramic		1	0130-0028-1000
E	Shaft	Ceramic		1	0130-0024-1000
F	Impeller w/Ceramic Magnet	Polypropylene		1	0130-0020-0100
G	Rear Housing & Plug Assembly	Polypropylene		1	0130-0019-0100
H	Bracket "O" Ring	Buna N	3/32 CS x 3 OD	1	0130-0025-1000
I	Drive Magnet			1	0130-0043-0200
J	Cooling Tube Seal	Buna N		2	0125-0007-1000
K	Mounting Base	Polypropylene		1	0125-0037-1000
L	*†Marine Base w/Grommets	Polypropylene		1	0125-0113-0100
M	Base Screw	Stainless		2	0130-0132-1000
N	*†Marine Base Screw	Stainless		2	0130-0146-1000
O	Plug for Motor Bracket			1	0125-0110-1000
P	"O" Ring	Viton	1/16 CS x 7/16 OD	1	0210-0008-1000
Q	L.C. Epoxy Motor, Bracket, Cord Assembly			N/A	Not Available
W	Wet End Kit (A, B, C, D, E, F, G, H, J)			1	0130-0115-0200

*Not Shown †Option

MATERIALS IN CONTACT WITH SOLUTION

Polypropylene, Cupric Nickel, Buna N, Ceramic, Ceramic Magnet

Also when submerged: Epoxy, Stainless, Ryton, & Cord

NOTE: Contact Factory for other materials and/or parts not listed.

0130-0036-1000 R29