



# MARCH PUMPS

1819 PICKWICK AVE., GLENVIEW, IL 60026-1306, U.S.A  
 PHONE: (847) 729-5300 - FAX: (847) 729-7062  
 WWW.MARCHPUMP.COM

## DESCRIPTION:

Series 5 are centrifugal magnetic drive pumps, eliminating the need for a shaft seal. All are serviceable with a screwdriver.

**Model Abbreviations:** C: Threaded Inlet/Outlet, A: Smooth Inlet/Outlet, AC: Air Cooled

## OPERATION:

Pumps are not self-priming, lack a suction lift, and thus require a **flooded suction**. Pumps **cannot be run dry** because the impeller requires the liquid being pumped for lubrication. For liquids with a specific gravity greater than water, have a higher viscosity, or for elevated temperatures, a trimmed impeller may be necessary. For application assistance, contact March Pump.

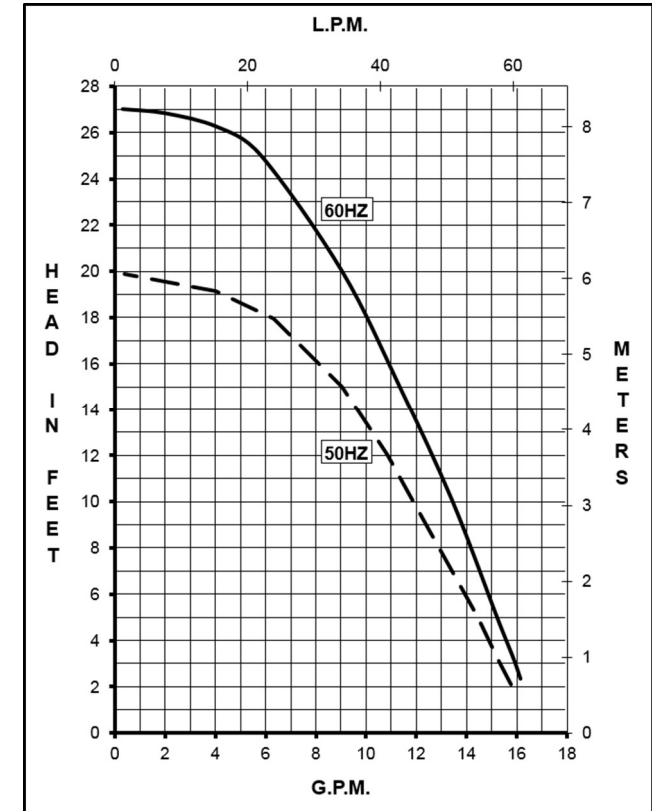
## ELECTRICAL:

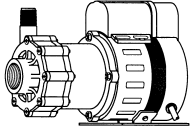
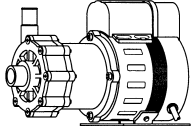
Models are either 115 Volt or 230 Volt and have a 3 ft (0.9 m) Cord. Models have U.L. listed motors, which are rated for continuous duty.

## LIMITED WARRANTY:

March pumps are guaranteed only against defects in workmanship or materials for a period of one year from date of manufacture pumping water. For the complete warranty and to register online go to [www.marchpump.com/warranty-registration](http://www.marchpump.com/warranty-registration)

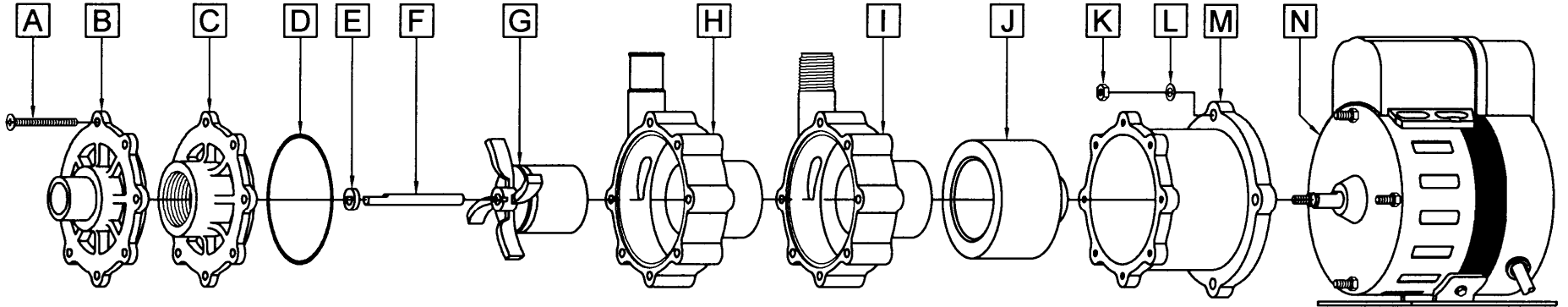
# AC-5C-MD, AC-5A-MD



SPECIFICATIONS	AC-5C-MD														AC-5A-MD																											
																																										
Product #	115 V							0150-0026-0100							0150-0170-0100							230 V							0150-0136-0100							0150-0170-0200						
Inlet - Outlet	1" FPT - 1/2" MPT														1" OD - 3/4" OD																											
Max Internal Pressure	50 psi (344 kPa)														50 psi (344 kPa)																											
Max Liquid Temperature	190 °F (87 °C)														190 °F (87 °C)																											
MODEL	Max Flow		Max Head			60 Hz						50 Hz						Height		Width		Length		Packed Weight																		
	gpm	lpm	ft	psi	m	Ph	V	A	Hp	kW	Rpm	gpm	lpm	ft	psi	m	Ph	V	A	Hp	kW	Rpm	Inches	cm	Inches	cm	Inches	cm	Lbs	kg												
AC-5C-MD	17	64.4	27	11.7	8.2	1	115	2.1	1/8	0.093	3450	15.9	60	19.7	8.5	6	1	115	2.1	1/8	0.093	2850	6.19	15.7	4.52	11.4	9.27	23.5	8.55	3.87												
AC-5A-MD	17	64.4	27	11.7	8.2	1	115	2.1	1/8	0.093	3450	15.9	60	19.7	8.5	6	1	115	2.1	1/8	0.093	2850	6.19	15.7	4.52	11.4	9.83	24.9	8.55	3.87												

All specifications & data are based on pumping water & are intended as a guideline only. Specifications may vary with different motors.

**PARTS LIST**



#	DESCRIPTION	MATERIAL	SIZE (Inches)	QTY.	AC-5C-MD	AC-5A-MD
A	Screw	Stainless	#8-32 x 1-3/4 Lg.	7	0150-0021-1000	
B	Cover	Polypropylene	1 OD Inlet	1	0150-0150-1000	
C	Cover	Polypropylene	1 FPT Inlet	1		0150-00032-1000
D1	"O" Ring	Buna N	0.078 CS x 2.834 ID	1	0750-0987-1000	
D2	"O" Ring (Option)	Viton	0.078 CS x 2.834 ID	1	0750-0986-1000	
D3	"O" Ring (Option)	Viton/Teflon	0.078 CS x 2.893 ID	1	0150-0212-1000	
E	Thrust Washer	Ceramic		1	0130-0028-1000	
F	Shaft	Ceramic		1	0130-0024-1000	
G1	Impeller	Polypropylene w/Ceramic Magnet		1	0150-0030-0100	
G2	Impeller (Option)	Polypropylene w/Ceramic Magnet & Carbon Bushing		1	0150-0030-0700	
G3	Impeller (Option)	Polypropylene w/Ceramic Magnet & Mica Teflon Bushing		1	0150-0030-0800	
H	Rear Housing	Polypropylene w/Ceramic Thrust Washer	3/4 OD Outlet	1		0150-0159-0100
I	Rear Housing	Polypropylene w/Ceramic Thrust Washer	1/2 MPT Outlet	1	0150-0031-0100	
J	Drive Magnet			1	0150-0081-0100	
K	Nut (Hex)	Stainless	#10-32	4	0625-0024-1000	
L	Washer	Stainless	#10	4	0802-0006-1000	
M	Motor Bracket	Plastic		1	0150-0070-0100	
N	Motor, 115 V, 50/60 Hz			1	0150-0027-1000	
	Motor, 230 V, 50/60 Hz			1	0150-0040-1000	
W	Wet End Kit AC-5C-MD	Items (A, B, D1, E, F, G1, I)		1	0150-0147-0200	

**Materials in Contact with Solution:**

Polypropylene, Ceramic, Buna N, & Ceramic Magnet

NOTE: Contact Factory for other materials and/or parts not listed.

0150-0074-1000 R21