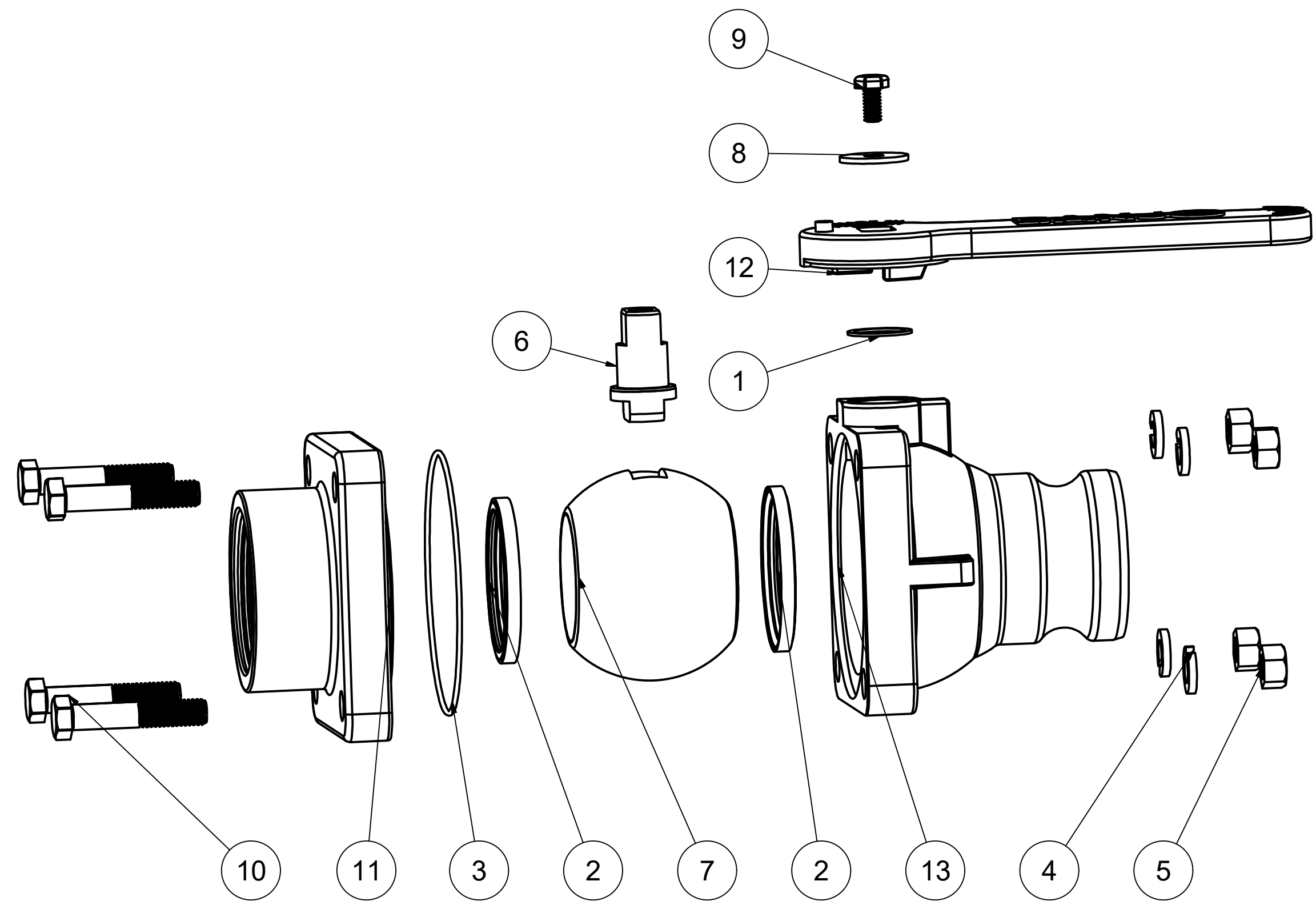
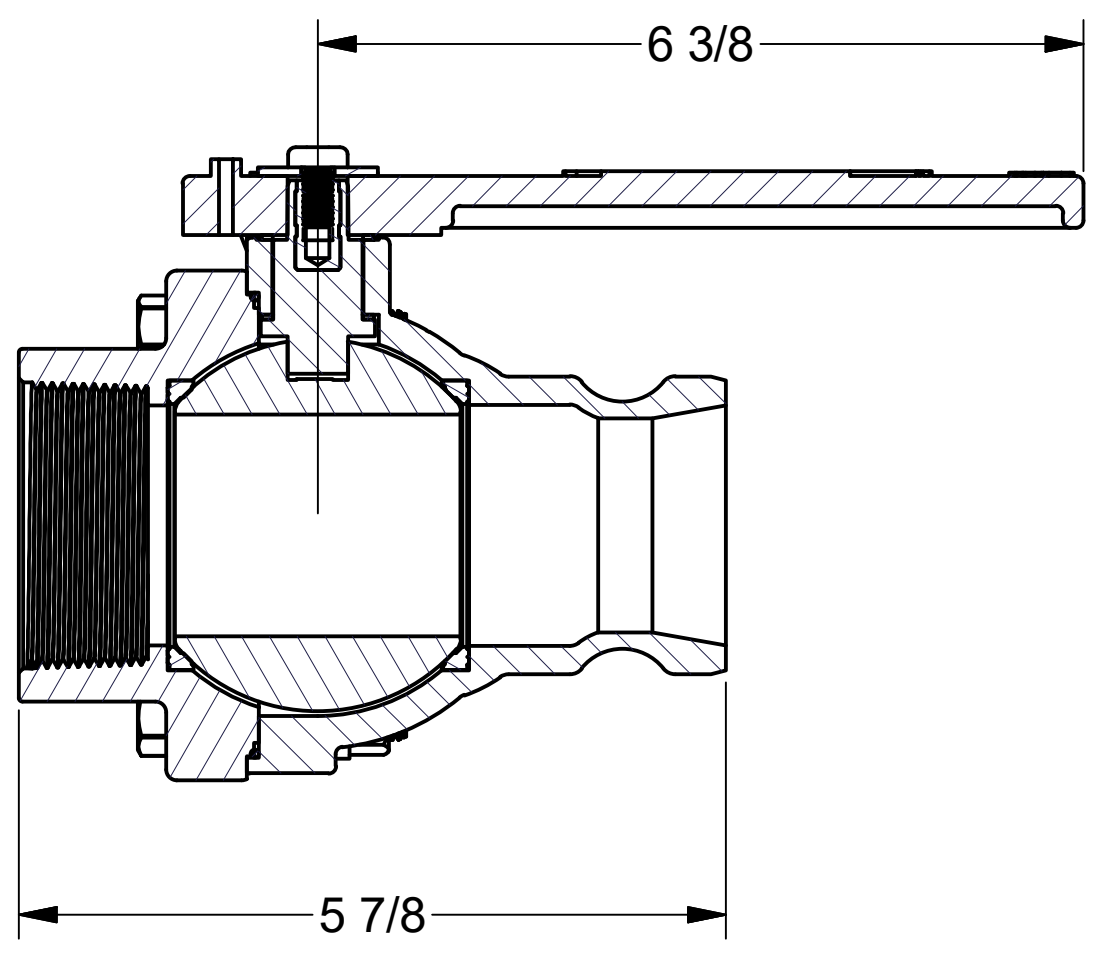
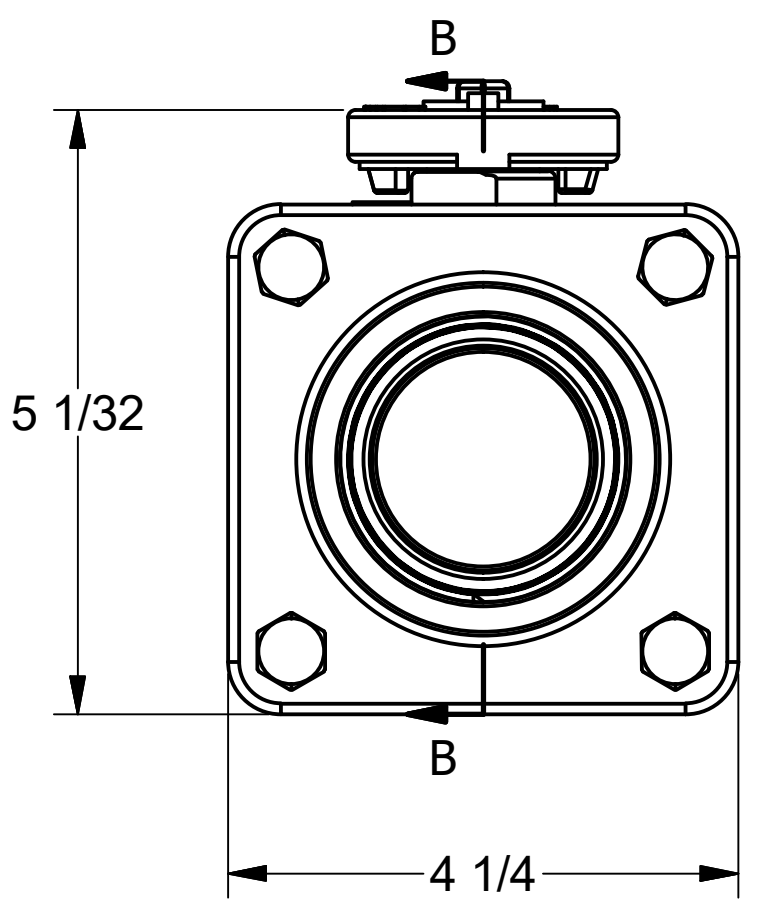



Parts List			
ITEM	QTY	PART NUMBER	DESCRIPTION
1	1	V20060	VALVE STEM THRUST BEARING
2	2	VS25258AR1	3" FP Ball Seat
3	1	V25214V	#44 O-RING, FKM
4	4	V20018	3/8" LOCKWASHER
5	4	V20019	3/8" HEX NUT
6	1	VS20151	VALVE STEM W/ BEARING
7	1	VS25255	2" Stubby Full Port Ball
8	1	V20021	Handle Washer
9	1	V20020	2" handle Bolt
10	4	V20010SS	3/8-16 X 2" HHCS
11	1	VS25356	2" FP STUBBY ENDPLATE
12	1	VS25153	2" FP STUBBY HANDLE
13	1	VF25254	2" FP MALE ADAPTER STUBBY BODY



THIS DRAWING AND ALL INFORMATION CONTAINED THEREON ARE THE EXCLUSIVE PROPERTY OF BANJO CORPORATION.  
UNLESS SPECIFICALLY NOTED, THIS DRAWING AND ITEMS SHOWN ON THIS DRAWING ARE SUBJECT TO CHANGE AT ANY TIME.

	
BANJO CORPORATION 150 BANJO DRIVE, CRAWFORDSVILLE, IN 47933 WEB SITE: WWW.BANJOCORP.COM E-MAIL: BANJOSALES@IDEXCORP.COM	
DESCRIPTION 2" FP MALE ADPTR X FNPT STUBBY VALVE	
PART NUMBER VSF204FP	