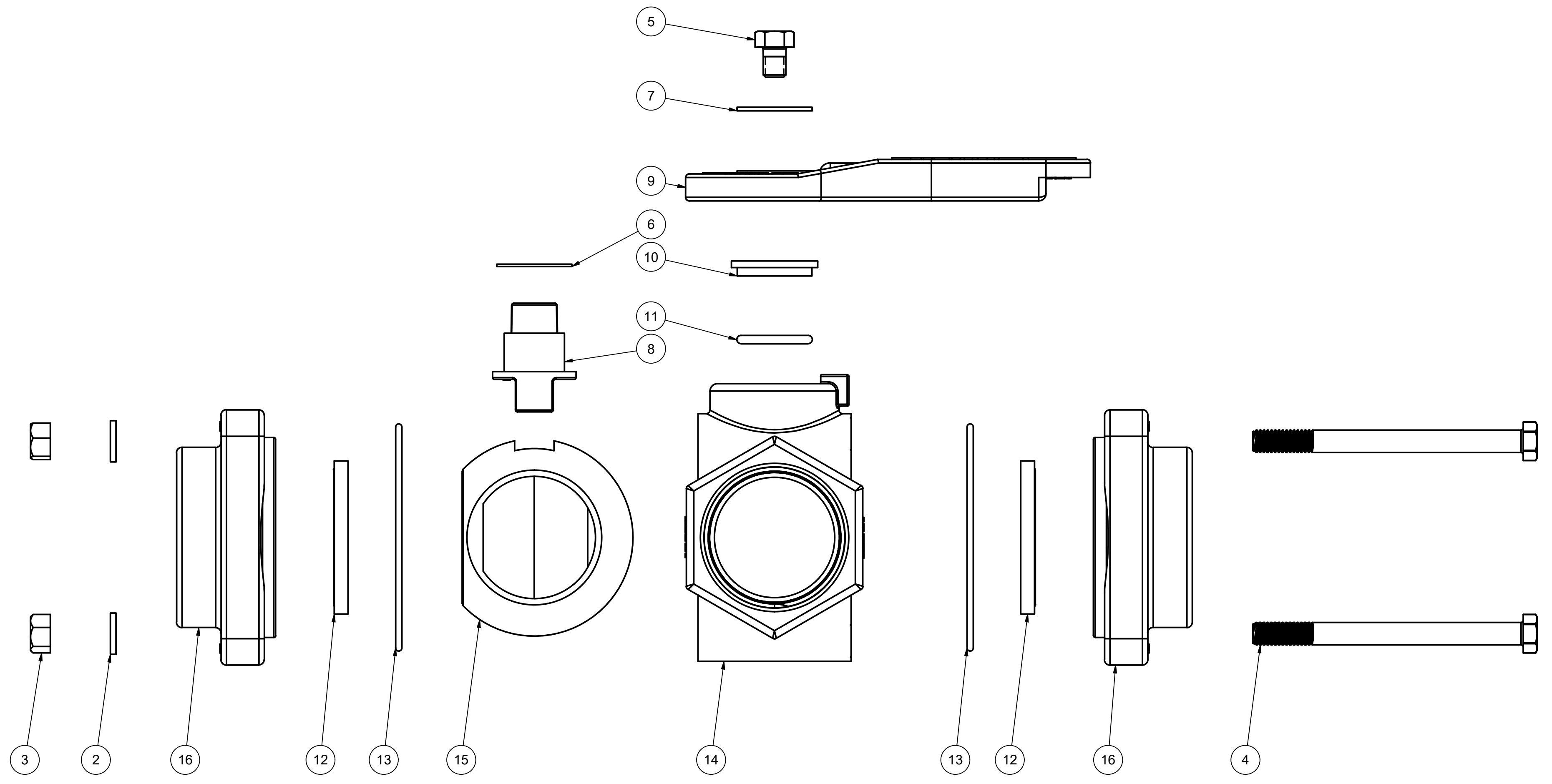
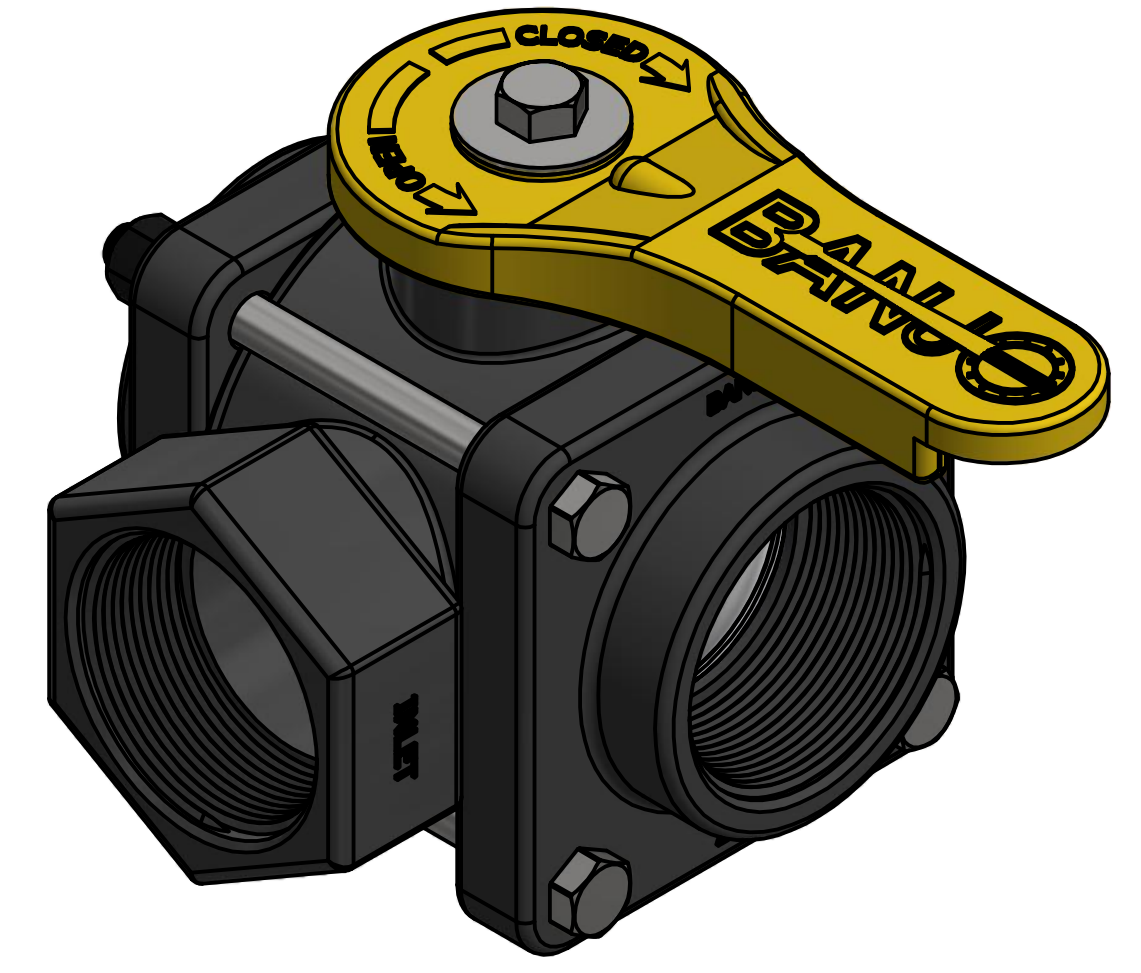


PARTS LIST			
ITEM	QTY	PART NUMBER	DESCRIPTION
1	1	050DECAL	LOGO DECAL (N/S)
2	4	V20018	3/8" LOCKWASHER
3	4	V20019	3/8" HEX NUT
4	4	V25017	3/8-16 X 4 1/2" HHCS
5	1	V25020	3/8" HANDLE BOLT
6	1	V25060	VALVE STEM THRUST BEARING
7	1	V25121	3/8" FENDER WASHER
8	1	V25151B	STEM 2"FP & 3"FP, MACHINED
9	1	V25153SH	2" FP HANDLE
10	1	V25160	STEM BUSHING
11	1	V25163	AS568A -214 O-RING, FKM, BROWN
12	2	V25258	3" FP BALL SEAT
13	2	V25264	O-RING, ID: 3.575", CS: 0.103, FKM
14	1	V25354S	2" SL VALVE BODY
15	1	V25355S	2" FP SL 3-WAY BALL, TUMBLED
16	2	V25356	2" FP 3-WAY ENDPLATE
17	1	VL1017	225 PSI PRESSURE DECAL FKM SEALS (N/S)
18	1	VL200SL	ARROW DECAL (N/S)



THIS DRAWING AND ALL INFORMATION CONTAINED THEREON ARE THE EXCLUSIVE PROPERTY OF BANJO CORPORATION.

UNLESS SPECIFICALLY NOTED, THIS DRAWING AND ITEMS SHOWN ON THIS DRAWING ARE SUBJECT TO CHANGE AT ANY TIME.

BANJO CORPORATION
 150 BANJO DRIVE, CRAWFORDSVILLE, IN 47933
 WEB SITE: WWW.BANJO.CORP.COM
 E-MAIL: BANJOSALES@IDEXCORP.COM

DESCRIPTION
2" SL MANIFOLD 3 WAY VALVE

PART NUMBER
V200SL