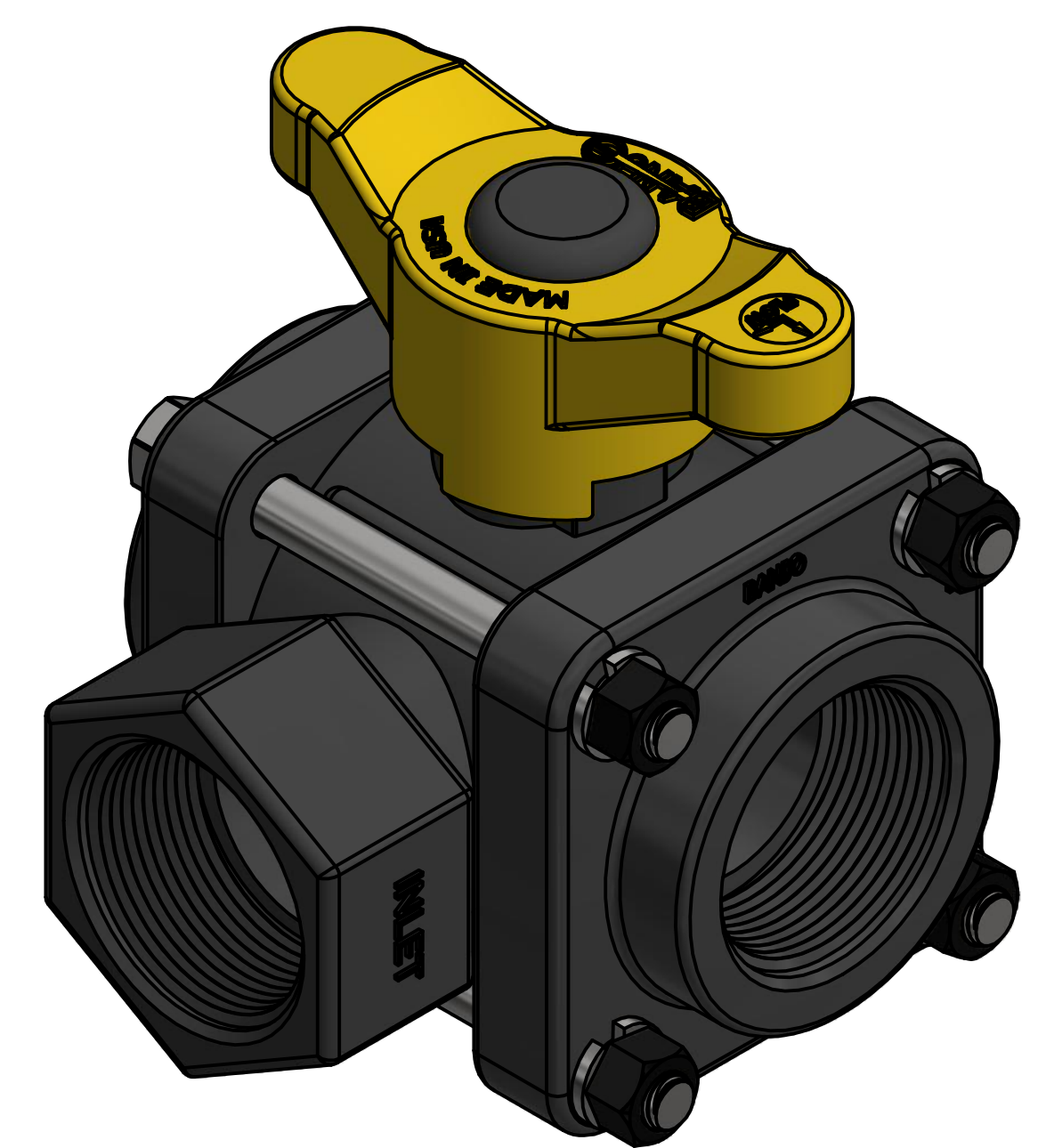
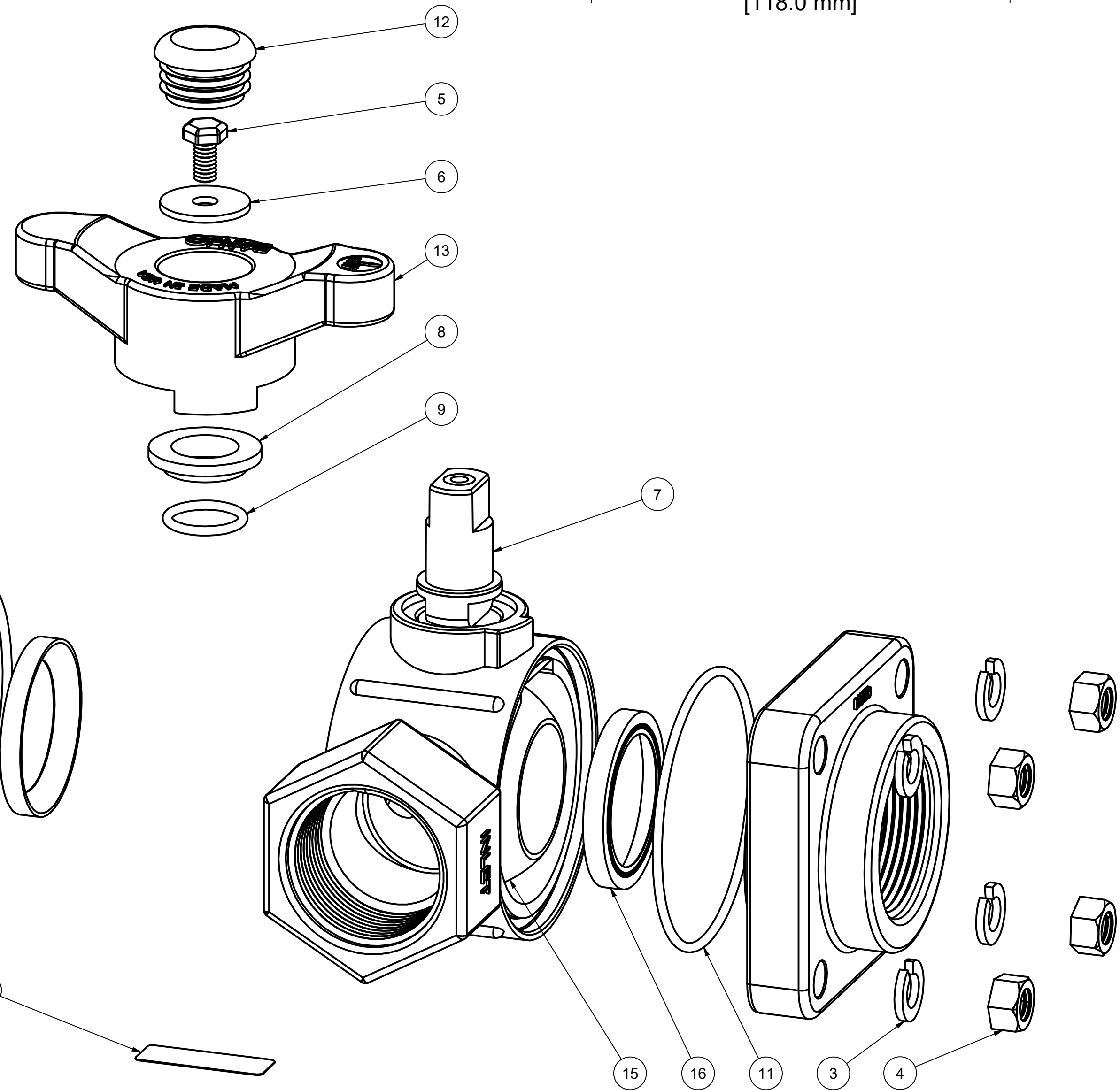


SECTION A-A
SCALE 1 : 1

Parts List			
ITEM	QTY	PART NUMBER	DESCRIPTION
1	1	050DECAL	BANJO LOGO DECAL
2	4	V20017	3/8-16 X 4" HHCS
3	4	V20018	3/8" LOCKWASHER
4	4	V20019	3/8" HEX NUT
5	1	V20020	2" HANDLE BOLT
6	1	V20021	HANDLE WASHER
7	1	V20151M	VALVE STEM W/ BEARING
8	1	V20159	2" STEM BUSHING
9	1	V20163	AS568A -116 O-RING, FKM, BROWN
10	2	V20257	1 1/2" FNPT ENDPLATE, MACHINED
11	2	V20264	AS568A -151 O-RING, FKM, BROWN
12	1	V20353C	1 1/8" CAPPLUG
13	1	V20353TS	2" SIDE LOAD T-HANDLE
14	1	V20354S	1 1/2" NPT SL VALVE BODY, MACHINED
15	1	V20355S	2" 3-WAY SL BALL, TUMBLED
16	2	VE20258A	2" VE SEAT TFM
17	1	VL1017	225 PSI PRESSURE LABEL FKM (N/S)



THIS DRAWING AND ALL INFORMATION CONTAINED THEREON ARE THE EXCLUSIVE PROPERTY OF BANJO CORPORATION.

UNLESS SPECIFICALLY NOTED, THIS DRAWING AND ITEMS SHOWN ON THIS DRAWING ARE SUBJECT TO CHANGE AT ANY TIME.

BANJO CORPORATION
150 BANJO DRIVE, CRAWFORDSVILLE, IN 47933
WEB SITE: WWW.BANJO.CORP.COM
E-MAIL: BANJOSALES@IDEXCORP.COM

DESCRIPTION
1 1/2" SIDE LOAD VALVE

PART NUMBER
V150SL