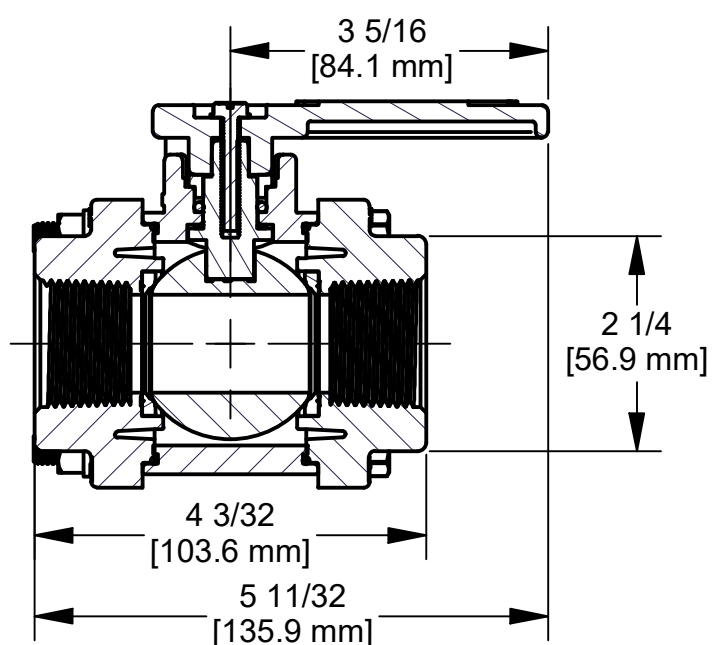
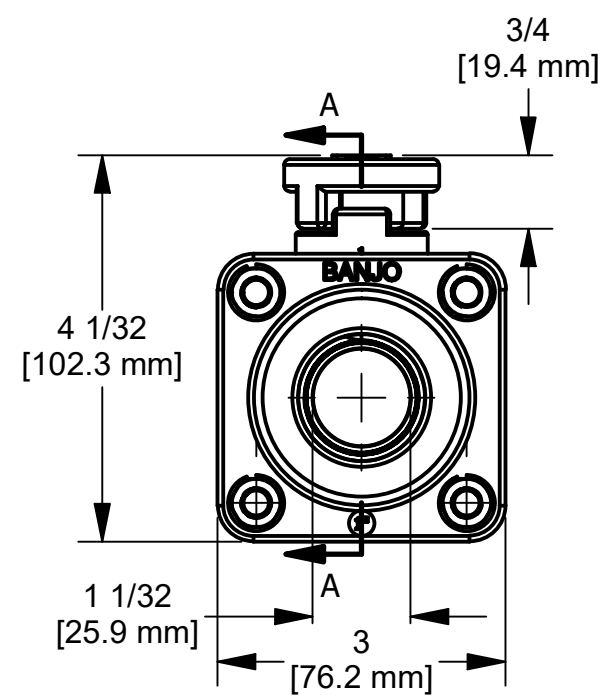



PARTS LIST			
ITEM	QTY	PART NUMBER	DESCRIPTION
1	1	V10020A	10-32 X 1 1/4" SMS
2	1	V10060	THRUST BEARING
3	4	V10117	5/16 - 18 X 3 1/2" HHCS
4	4	V10118	5/16" LOCKWASHER
5	4	V10119	5/16" HEX NUT
6	1	V10151A	STEM W/O INSERT
7	1	V10153A	HANDLE
8	1	V10155	VALVE BALL 1" FP, TUMBLED
9	1	V10159	STEM BUSHING
10	1	V10163	AS568A -113 O-RING, FKM, BROWN
11	1	V10254	1" VALVE BODY
12	2	V10257	1" NPT ENDPLATE
13	2	V10258A	3" FP Ball Seat
14	2	V10264	AS568A -036 O-RING, FKM, BROWN
15	1	VL1001	150 PSI DECAL FKM (N/S)



SECTION A-A
SCALE 1 / 2

THIS DRAWING AND ALL INFORMATION CONTAINED THEREON ARE THE EXCLUSIVE PROPERTY OF BANJO CORPORATION.

UNLESS SPECIFICALLY NOTED, THIS DRAWING AND ITEMS SHOWN ON THIS DRAWING ARE SUBJECT TO CHANGE AT ANY TIME.



BANJO CORPORATION

150 BANJO DRIVE, CRAWFORDSVILLE, IN 47933
 WEB SITE: WWW.BANJOCORP.COM
 E-MAIL: BANJOSALES@IDEXCORP.COM

DESCRIPTION	1" FP VALVE
PART NUMBER	V100FP