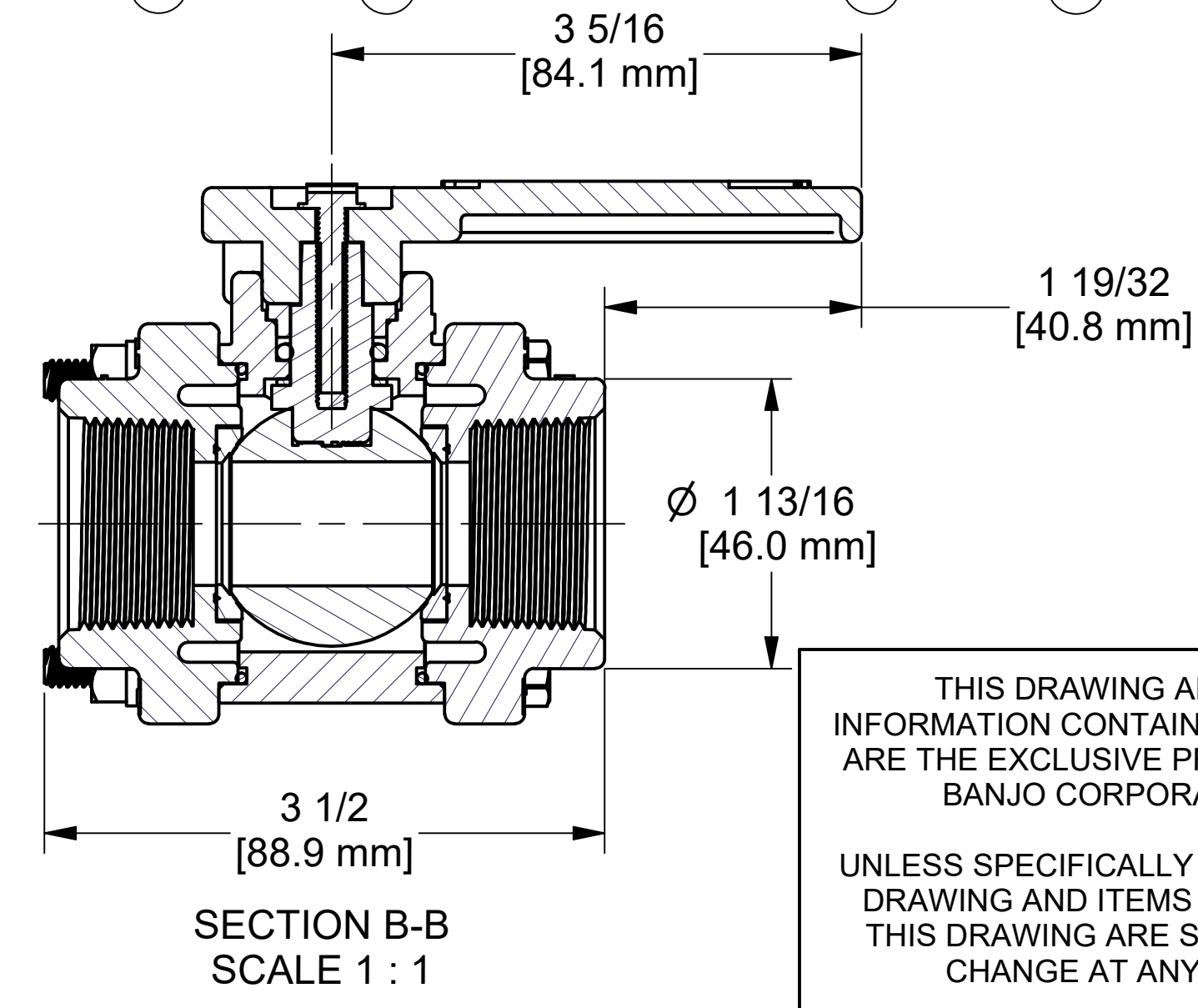
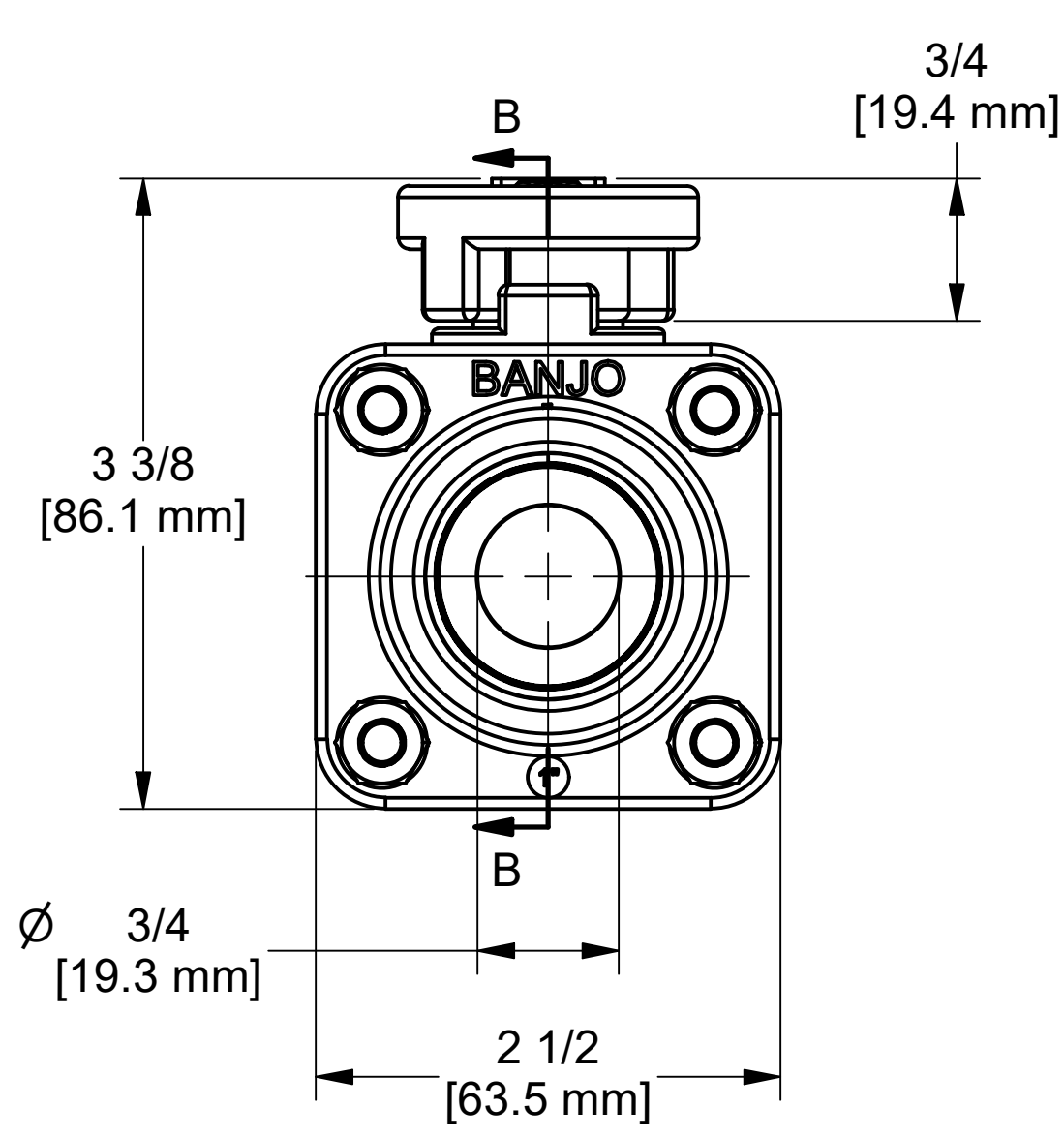
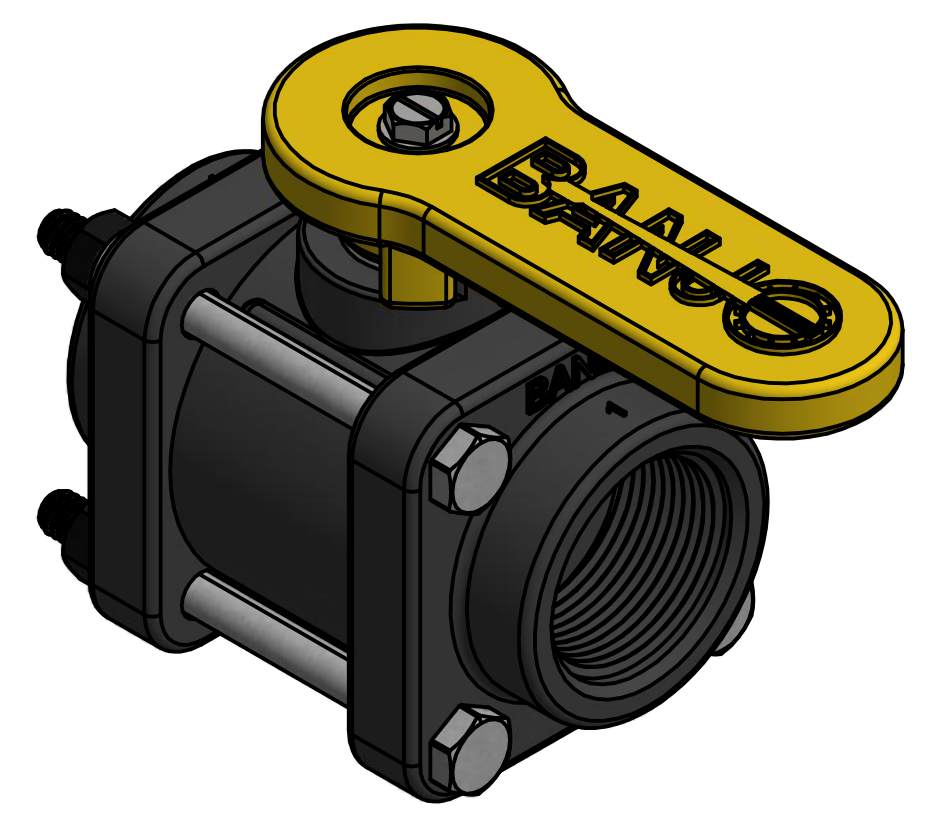


PARTS LIST

ITEM	QTY	PART NUMBER	DESCRIPTION
1	4	V07017	1/4-20 X 3" HHCS
2	4	V07018	1/4" LOCKWASHER
3	4	V07019	1/4-20 HEX NUT
4	1	V07060	THRUST BEARING
5	1	V07151A	STEM
6	1	V07155	3/4" VALVE BALL, TUMBLED
7	1	V07159	TEFLON BUSHING
8	1	V07163	AS568A -112 O-RING, FKM, BROWN
9	1	V07254	VALVE BODY
10	2	V07256	1" NPT ENDPLATE
11	2	V07258A	3" FP Ball Seat
12	2	V07264	AS568A -032 O-RING, FKM, BROWN
13	1	V10020A	10-32 X 1 1/4" SMS
14	1	V10153A	HANDLE
15	1	VL1001	PRESSURE LABEL (N/S)



THIS DRAWING AND ALL INFORMATION CONTAINED THEREON ARE THE EXCLUSIVE PROPERTY OF BANJO CORPORATION.

UNLESS SPECIFICALLY NOTED, THIS DRAWING AND ITEMS SHOWN ON THIS DRAWING ARE SUBJECT TO CHANGE AT ANY TIME.

BANJO CORPORATION

BANJO CORPORATION
 150 BANJO DRIVE, CRAWFORDSVILLE, IN 47933
 WEB SITE: WWW.BANJOCORP.COM
 E-MAIL: BANJOSALES@IDEXCORP.COM

DESCRIPTION	1" STANDARD PORT POLY VALVE
PART NUMBER	V100