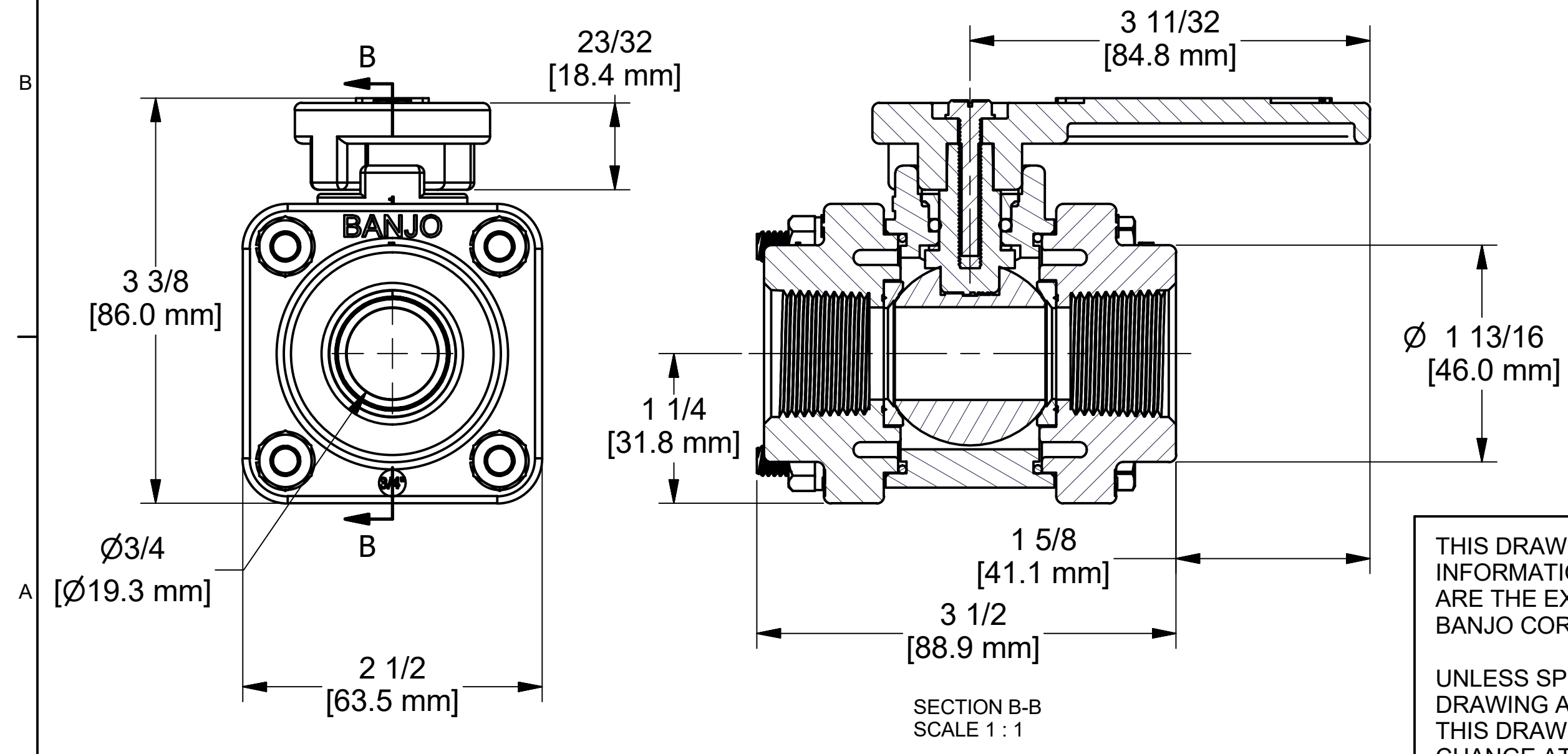


Parts List			
ITEM	QTY	PART NUMBER	DESCRIPTION
1	4	V07017	1/4-20 X 3" HHCS
2	4	V07018	1/4" LOCKWASHER
3	4	V07019	1/4-20 HEX NUT
4	1	V07060	THRUST BEARING
5	1	V07151A	STEM
6	1	V07155	VALVE BALL
7	1	V07159	TEFLON BUSHING
8	1	V07163	2-112 O-RING FKM
9	1	V07254	VALVE BODY
10	2	V07257	3/4" NPT ENDPLATE
11	2	V07258A	3" FP Ball Seat
12	2	V07264	#032 O-RING, FKM
13	1	V10020A	10-32 X 1 1/4" SMS
14	1	V10153A	HANDLE
15	1	VL1001	150 PSI Pressure Label Viton Seals



THIS DRAWING AND ALL INFORMATION CONTAINED THEREON ARE THE EXCLUSIVE PROPERTY OF BANJO CORPORATION.

UNLESS SPECIFICALLY NOTED, THIS DRAWING AND ITEMS SHOWN ON THIS DRAWING ARE SUBJECT TO CHANGE AT ANY TIME.



BANJO
CORPORATION

BANJO CORPORATION
 150 BANJO DRIVE, CRAWFORDSVILLE, IN 47933
 WEB SITE: WWW.BANJOCORP.COM
 E-MAIL: BANJOSALES@IDEXCORP.COM

DESCRIPTION	3/4" Ball Valve
PART NUMBER	V075