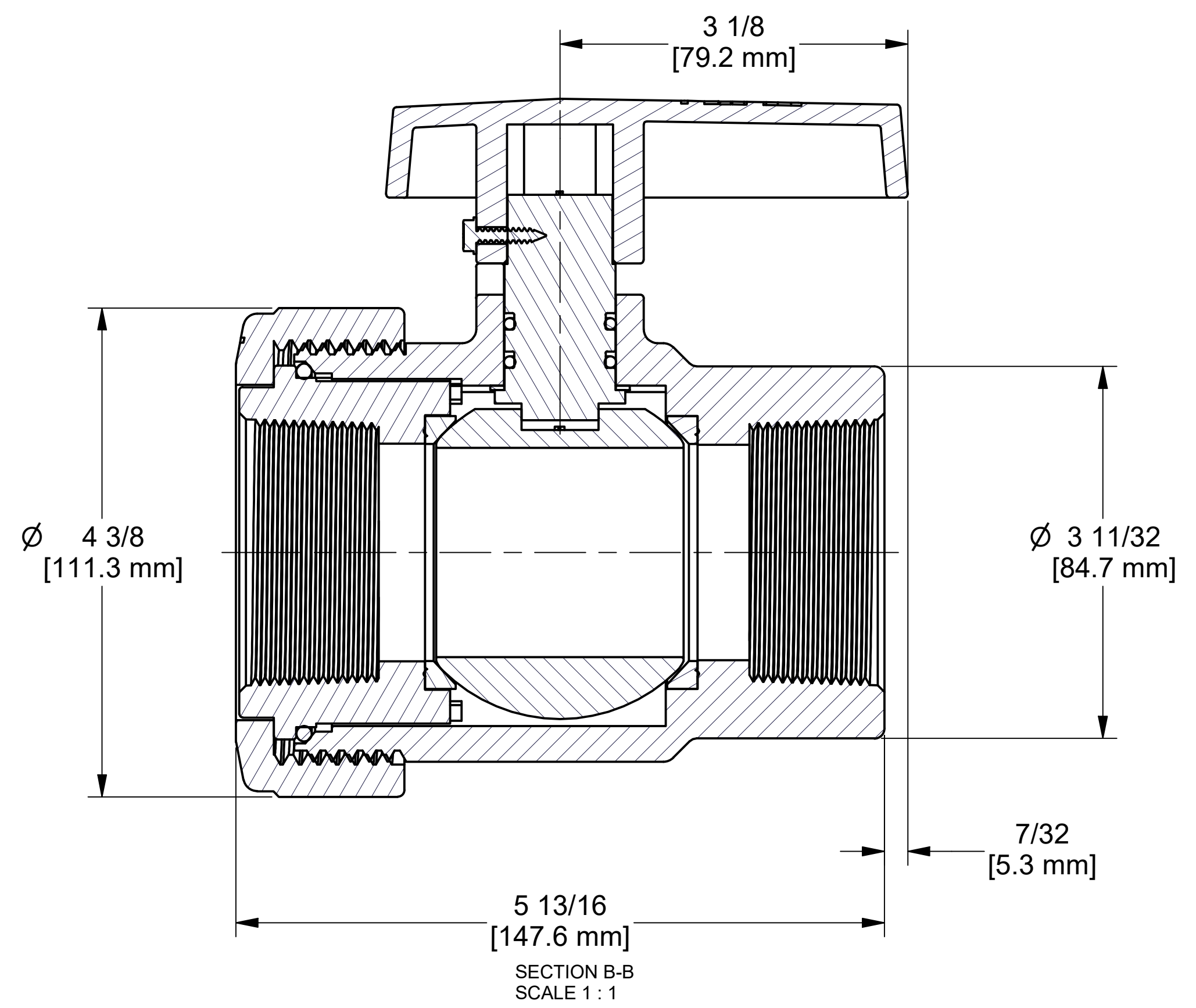
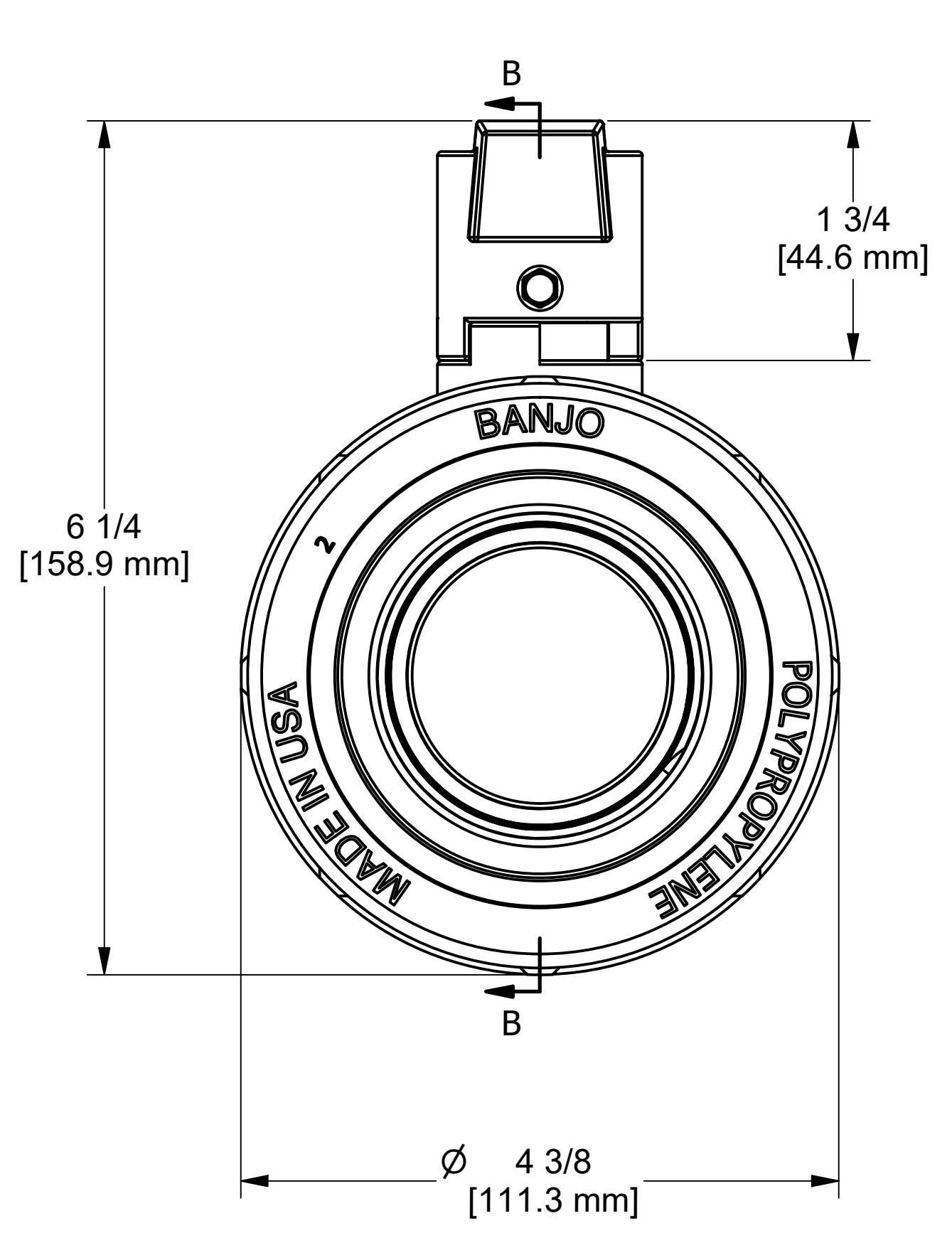
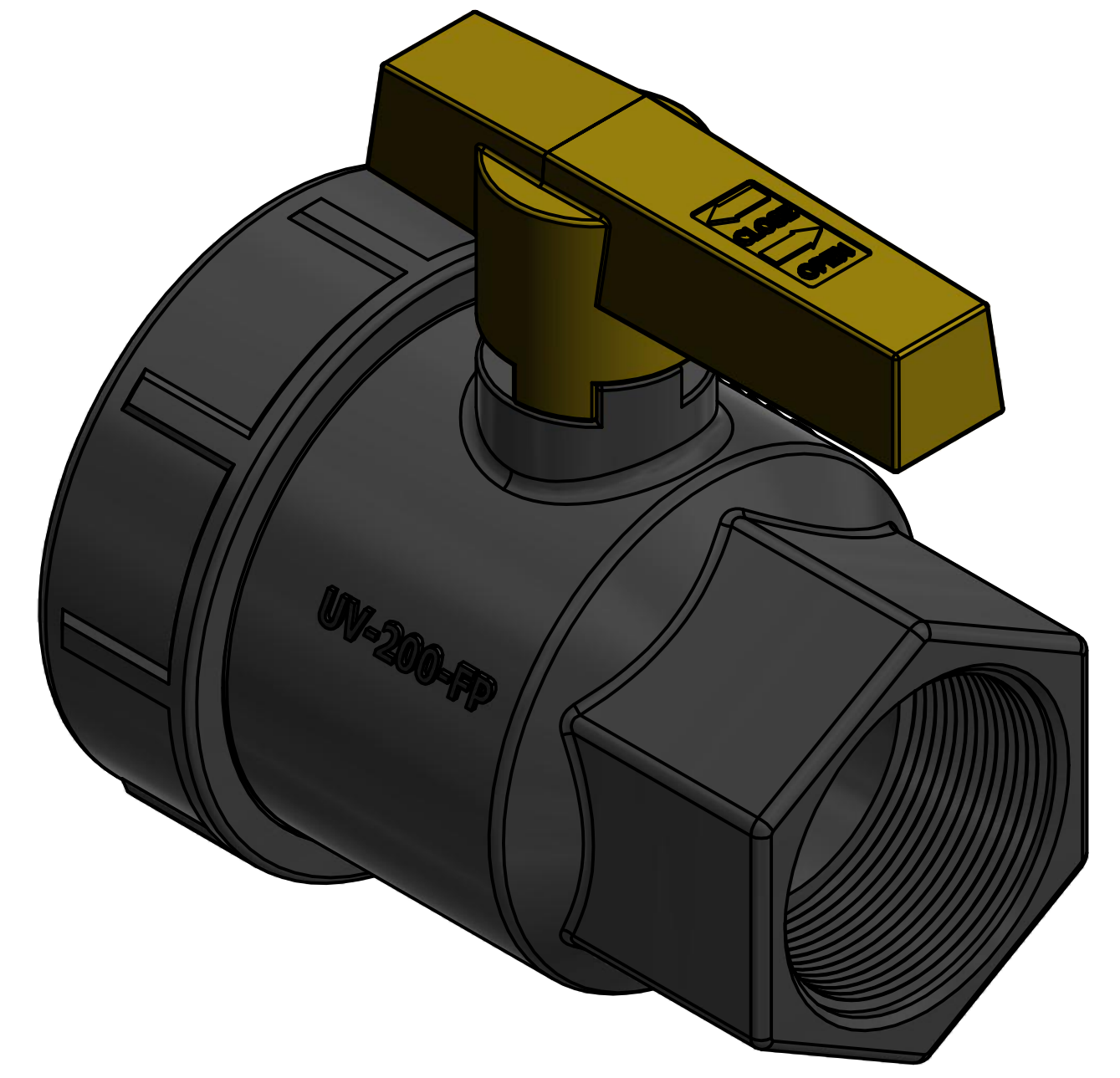


Parts List			
ITEM	QTY	PART NUMBER	DESCRIPTION
1	1	LST1300D	300 PSI DECAL (N/S)
2	1	UV15220	#6 X 5/8" HWH SMS
3	1	UV20150	2" UV CAP
4	1	UV20151	2" UV STEM
5	1	UV20153	2" UNION VALVE HANDLE
6	2	UV20163	#117 O'RING EPDM
7	1	UV20254	2" UV BODY, MACHINED
8	1	UV20255	2" UNION VALVE BALL, TUMBLED
9	1	UV20257	2" UV END PLATE
10	2	UV20258	2" UV SEAT
11	1	UV20264	#235 O'RING EPDM
12	1	V25060	VALVE STEM THRUST BEARING



THIS DRAWING AND ALL INFORMATION CONTAINED THEREON ARE THE EXCLUSIVE PROPERTY OF BANJO CORPORATION. UNLESS SPECIFICALLY NOTED, THIS DRAWING AND ITEMS SHOWN ON THIS DRAWING ARE SUBJECT TO CHANGE AT ANY TIME.

BANJO CORPORATION

BANJO CORPORATION
150 BANJO DRIVE, CRAWFORDSVILLE, IN 47933
WEB SITE: WWW.BANJO.CORP.COM
E-MAIL: BANJOSALES@DEXCORP.COM

DESCRIPTION
2" FP UNION VALVE

PART NUMBER
UV200FP