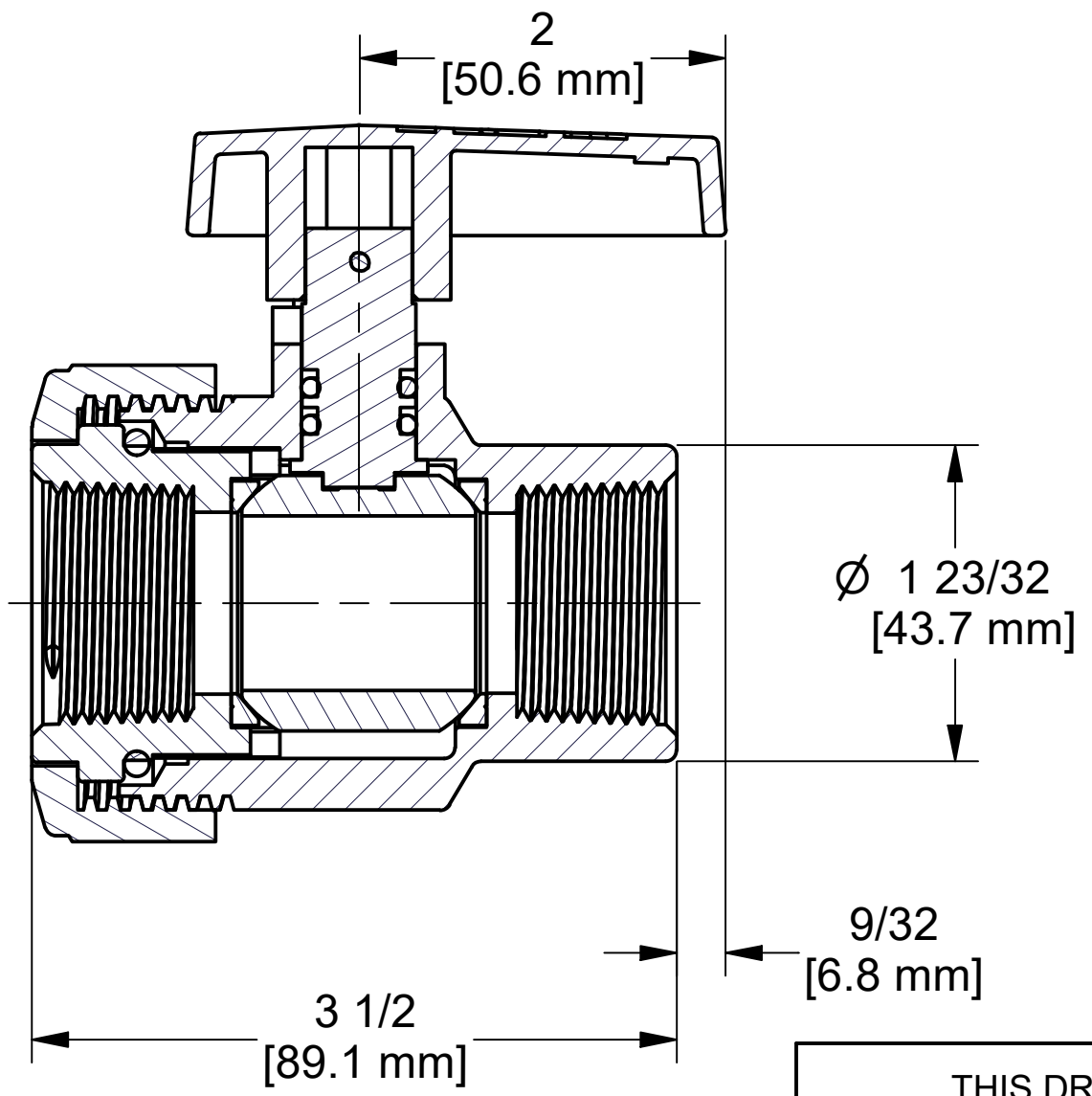
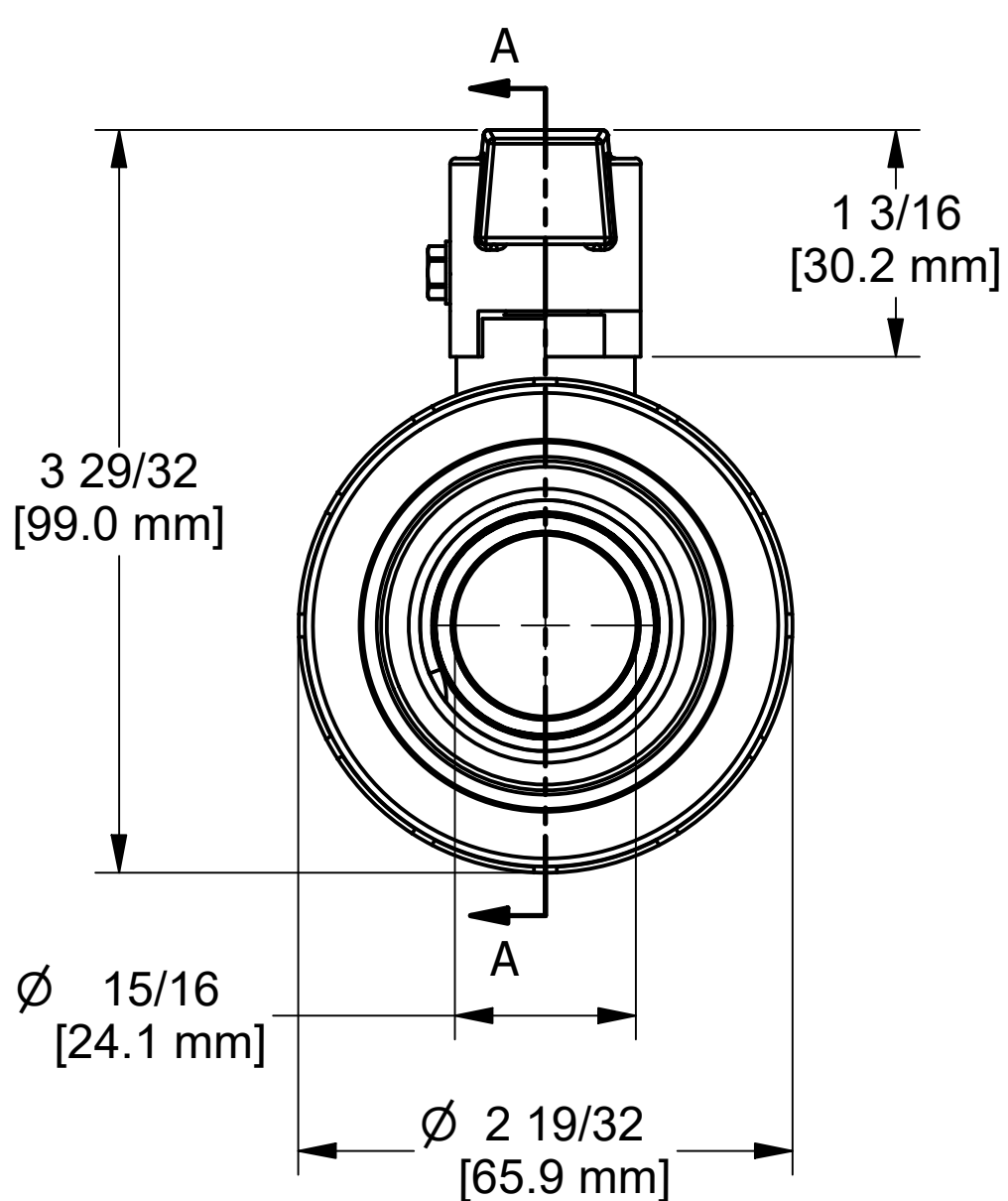
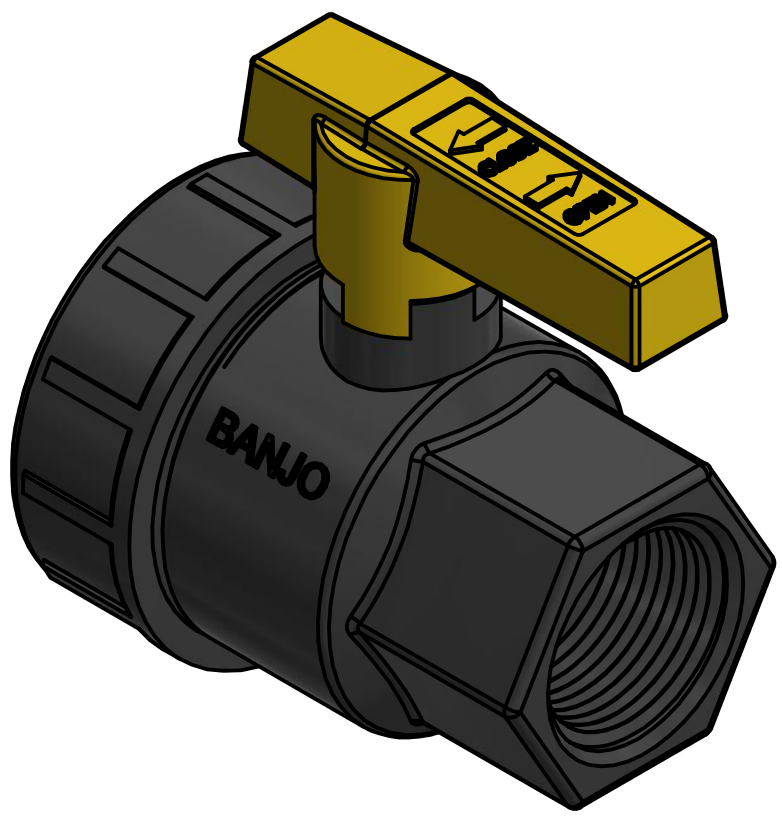


Parts List			
ITEM	QTY	PART NUMBER	DESCRIPTION
1	1	LST1300D	300 PSI DECAL (N/S)
2	1	UV10150	1" UNION VALVE ENDPLATE
3	1	UV10151	1" UNION VALVE STEM
4	1	UV10153	1" UV HANDLE
5	2	UV10163	AS568A -111 O-RING, EPDM, BLACK
6	1	UV10254	1" UNION VALVE BODY
7	1	UV10255	1" UNION VALVE BALL, TUMBLED
8	1	UV10256	3/4" UNION VALVE END PLATE
9	2	UV10258	1" UV SEAT
10	1	UV10264	1" UV BODY O-RING
11	1	UV15220	#6 X 5/8" HWH SMS



SECTION A-A  
SCALE 1:1

THIS DRAWING AND ALL INFORMATION CONTAINED THEREON ARE THE EXCLUSIVE PROPERTY OF BANJO CORPORATION.

UNLESS SPECIFICALLY NOTED, THIS DRAWING AND ITEMS SHOWN ON THIS DRAWING ARE SUBJECT TO CHANGE AT ANY TIME.



BANJO CORPORATION  
150 BANJO DRIVE, CRAWFORDSVILLE, IN 47933  
WEB SITE: WWW.BANJOCORP.COM  
E-MAIL: BANJOSALES@IDEXCORP.COM

DESCRIPTION	1" Union Valve
PART NUMBER	UV100FP