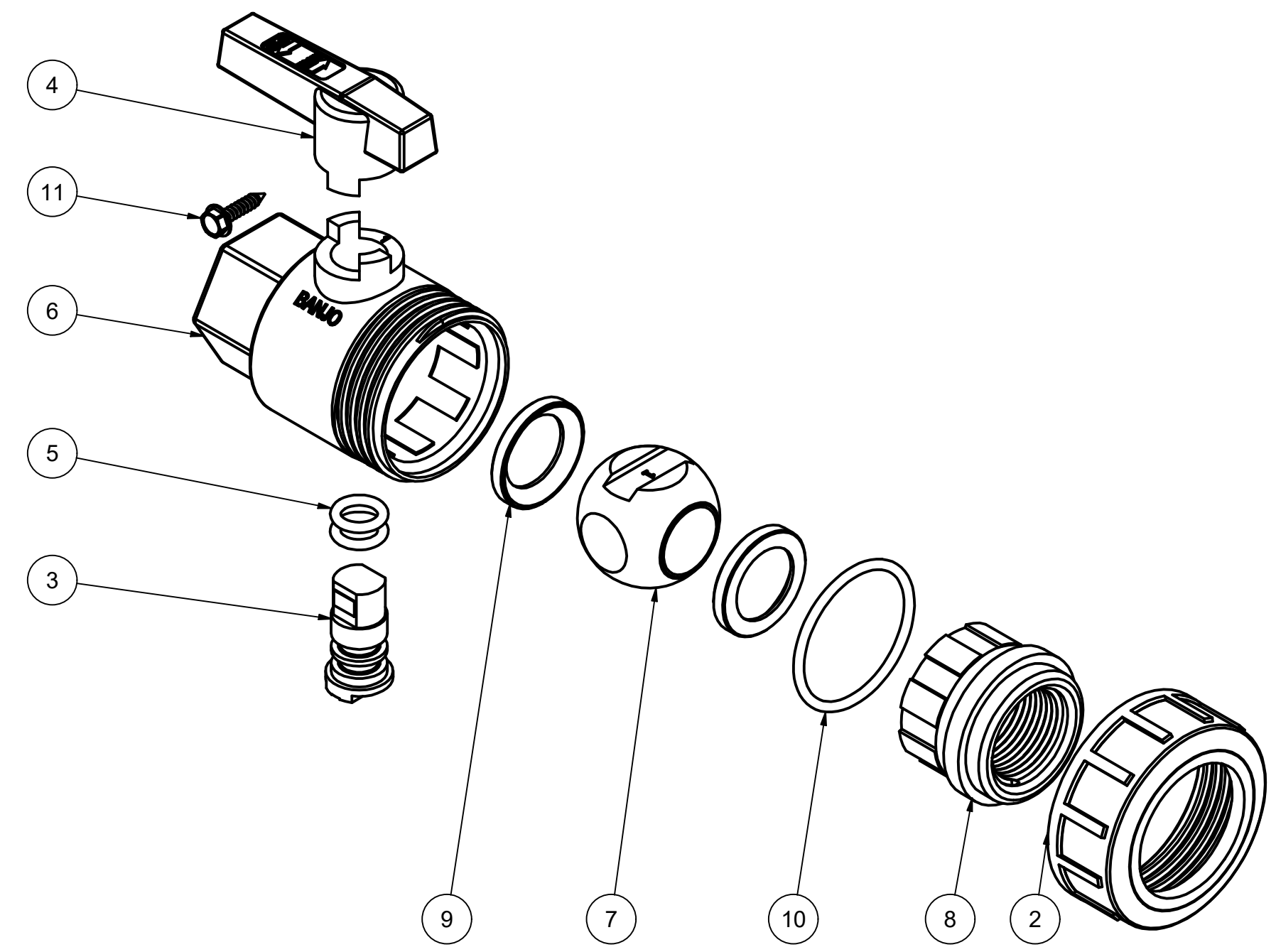
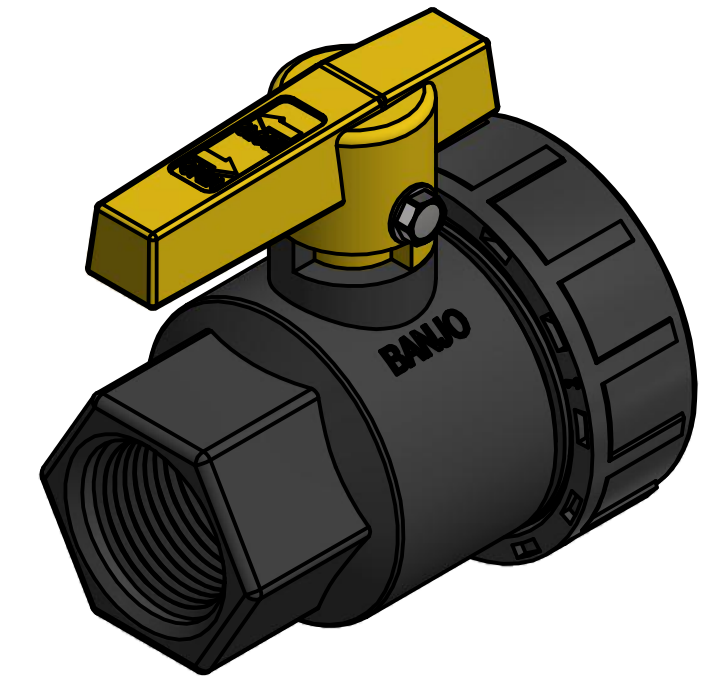


SECTION A-A
SCALE 1 : 1



PARTS LIST			
ITEM	QTY	PART NUMBER	DESCRIPTION
1	1	LST1300D	300 PSI DECAL (N/S)
2	1	UV07150	3/4" UNION VALVE ENDCAP
3	1	UV07151	3/4" UNION VALVE STEM
4	1	UV07153	3/4" UV HANDLE
5	2	UV07163	AS568A -110 O-RING, EPDM, BLACK
6	1	UV07254	3/4" UNION VALVE BODY
7	1	UV07255	3/4" UNION VALVE BALL, TUMBLED
8	1	UV07256	3/4" UNION VALVE END PLATE
9	2	UV07258	3/4" UV SEAT
10	1	UV07264	AS568A -127 O-RING, EPDM, BLACK
11	1	UV15220	#6 X 5/8" HWH SMS



THIS DRAWING AND ALL INFORMATION CONTAINED THEREON ARE THE EXCLUSIVE PROPERTY OF BANJO CORPORATION.

UNLESS SPECIFICALLY NOTED, THIS DRAWING AND ITEMS SHOWN ON THIS DRAWING ARE SUBJECT TO CHANGE AT ANY TIME.

BANJO CORPORATION
150 BANJO DRIVE, CRAWFORDSVILLE, IN 47933
WEB SITE: WWW.BANJOCORP.COM
E-MAIL: BANJOSALES@IDEXCORP.COM

DESCRIPTION
3/4" UNION VALVE

PART NUMBER
UV075FP