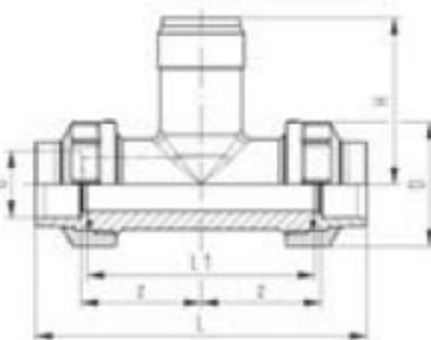


**PVDF for Socket Fusion, Metric, Type 310 (SYGEF Standard) (Available in USA/ASIA/EUROPE)**



Part No.	FKM Code No.	d [mm]	Sensor Type - Flow, pH/ORP	PN [Bar]	D [mm]	H [mm]	L [mm]	L1 [mm]	z [mm]
SFMT005	735 310 036	20	Flow -X0, pH -XX	16	45	76	128	90	50
SFMT007	735 310 037	25	Flow -X0, pH -XX	16	55	78	142	100	55
SFMT010	735 310 038	32	Flow -X0, pH -XX	16	62	81	156	110	60
SFMT012	735 310 039	40	Flow -X0, pH -XX	16	75	85	160	110	60
SFMT015	735 310 040	50	Flow -X0, pH -XX	16	84	89	176	120	65
SFMT020	735 310 041	63	Flow -X0, pH -XX	16	101	95	194	130	70

- For use with Flow: P51530-X0, 3-2536-X0, 3-8510-X0, 3-8512-X0, 3-2537-XC-X0, 3-2551-X0-XX
- For use with pH/ORP: 3-272X-XX, 3-273X-XX
- To install this installation fitting in PVC-C, PP-R and PE pipes; replace the original union ends with PVC-C, PP-R and PE union ends.
- Socket fusion equipment is required to install PVDF union tees
- FKM O-rings
- Sensor length depends on installation fitting
- Threaded outlet 1 ¼ inch NPSM