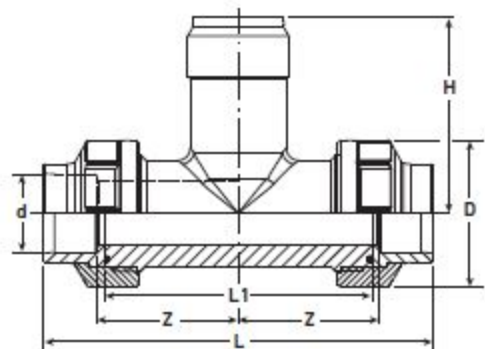




PP-H for Socket Fusion, Metric (PROGEF Standard) (Available in USA/ASIA/EUROPE)



Part No.	FKM Code No.	EPDM Code No.	d [mm]	DN [mm]	PN	Sensor Type - Flow, pH/ORP	D [mm]	Z [mm]	L [mm]	L1 [mm]	H [mm]
PPMT005	727 310 036	727 310 006	20	15	10	Flow -X0, pH -XX	48	50	128	90	76
PPMT007	727 310 037	727 310 007	25	20	10	Flow -X0, pH -XX	58	55	142	100	78
PPMT010	727 310 038	727 310 008	32	25	10	Flow -X0, pH -XX	65	60	156	110	81
PPMT012	727 310 039	727 310 009	40	32	10	Flow -X0, pH -XX	79	60	160	110	85
PPMT015	727 310 040	727 310 010	50	40	10	Flow -X0, pH -XX	91	65	176	120	89
PPMT020	727 310 041	727 310 011	63	50	10	Flow -X0, pH -XX	105	70	194	130	95

- For use with Flow: P51530-X0, 3-2536-X0, 3-8510-X0, 3-8512-X0, 3-2537-XC-X0, 3-2551-X0-XX
- For use with pH/ORP: 3-272X-XX, 3-273X-XX

- To install this installation fitting in PVC-C, PP-R and PE pipes; replace the original union ends with PVC-C, PP-R and PE union ends.
- Threaded outlet 1¼ inch NPSM
- Union end with fusion socket PP-H