

# DataLoop™ LI23 Series

General Purpose Level Indicator



## Application

The general purpose loop powered level indicator displays engineering units connected in series with one 4-20 mA continuous level transmitter, and is available with two optional relays and an isolated 4-20 mA repeater. **Select this panel mount indicator for use with general purpose two-wire level transmitters.** For field mount installation, add a single or two indicator NEMA box.



## Features

- LCD main display with secondary unit and bar graph display
- Easy configuration via the push button display module
- Available with two solid-state, latching relays and an isolated 4-20 mA repeater
- DIN enclosure with NEMA 4X faceplate and shallow case
- Linear, square root and programmable exponent functions
- Non-volatile memory with security password protection
- Windowed NEMA box accessory for field installations



## Key Benefits

- Bright backlit display for easy night viewing
- Capable of displaying units in gallons, liters, inches, feet, meters or percent of liquid
- Optional relays provide convenient local alarms
- Receives power and signal via the transmitters current loop with minimal voltage drop

## Compatible Products



**LG10-11**

**ECHOWAVE®**

Guided Wave Level  
Transmitter



**LU28**

**ECHOSONIC®**

Ultrasonic Level  
Transmitter



**UG01**

**ECHOPOD®**

Ultrasonic Level  
Transmitter



**LU83**

**ECHOSPAN®**

Ultrasonic Level  
Transmitter



**LR15**

**ECHOPULSE®**

Pulse Radar Level  
Transmitter

# DataLoop™ LI23 Series

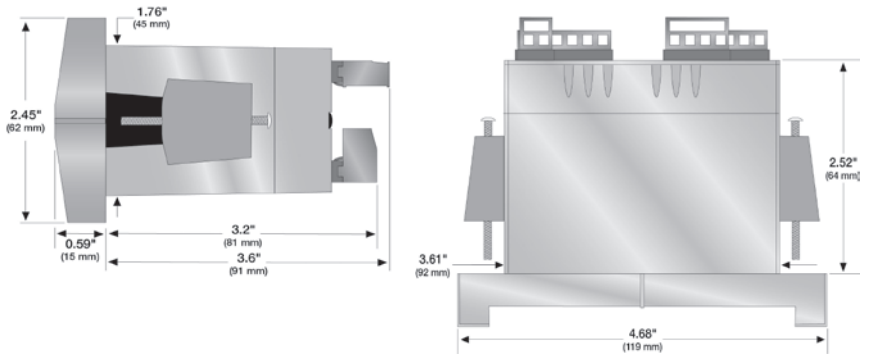
General Purpose Level Indicator



## Specifications

<b>Display type:</b>	LCD, 5-digit top line 8-digit bottom line
<b>Display units:</b>	Engineering
<b>Display output:</b>	-9999 to 99999 (top) -9999999 to 99999999 (bottom)
<b>Display height:</b>	0.7" (17.8mm) top 0.4" (10.2) bottom
<b>Decimal point:</b>	Floating
<b>Backlight:</b>	LED
<b>Configuration:</b>	Push button
<b>Memory:</b>	Non-volatile
<b>Sensor input:</b>	(1) 4-20 mA transmitter
<b>Loop power:</b>	12-30 VDC
<b>Voltage drop:</b>	1.5 VDC w/o backlight 4.5 VDC w/ backlight
<b>Contact type:</b>	-10_1: N/A -12_1: (2) SPST relays (latching)
<b>Contact rating:</b>	-10_1: N/A -12_1: 1A @ 250 VAC/VDC res. load
<b>Contact output:</b>	-10_1: N/A -12_1: Normally open
<b>Contact delay:</b>	-10_1: N/A -12_1: 0-9,999 seconds
<b>Repeater output:</b>	-1_01: N/A -1_11: 4-20 mA, 7 to 30 VDC external power required
<b>Process temp.:</b>	F: -40° to 167° C: -40° to 75°
<b>Ambient temp.:</b>	F: -40° to 185° C: -40° to 85°
<b>Enclosure type:</b>	1/8 DIN, panel mount
<b>Enclosure rating:</b>	NEMA 4X (IP65) faceplate
<b>Enclosure mat'l:</b>	PPE & PS blend
<b>Faceplate mat'l:</b>	Polycarbonate
<b>Classification:</b>	General purpose
<b>Compliance:</b>	CE

## Dimensions



## Accessories

Protect your field mounted display from the elements with the below recommended single or two indicator box. For reliable power, add a LC95 power supply.



**P/N**      **DESCRIPTION**  
**LM92-1002**      Single indicator windowed, 1/8 DIN, PC



**LM92-2002**      Two indicator windowed, 1/8 DIN, PC



**LC95-2001**      100-240 VAC, 24 VDC @ 0.45A, 35mm rail

## Ordering

LI23 - 1   1

### CONFIGURATION (1)

- 0 Display only
- 2 Display with 2 relays

### REPEATER

- 0 No repeater
- 1 4-20 mA repeater

## NOTES

- 1) For field mount installation in a NEMA 4X, polycarbonate windowed enclosure, order the single or two indicator box.