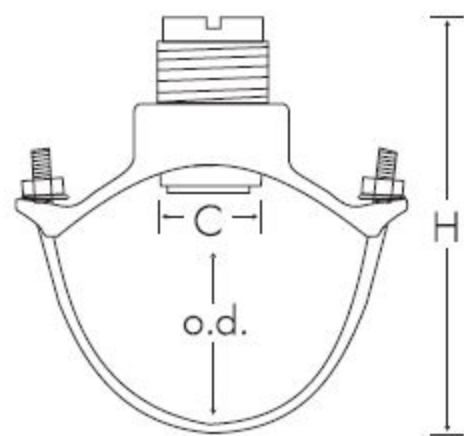


Iron Strap-on Saddle for use with SCH 80 Metal Pipe (ASTM) (Available in USA/ASIA)



Part No.	Code No.	Size [in.]	Sensor Type - Flow, pH/ORP	H [in.]	o.d. min [in.]	o.d. max [in.]	C [in.]
IR8S020	198 801 425	2.00	Flow -X0, pH -XX	5.5	2.35	2.56	1.44
IR8S025	198 801 426	2.50	Flow -X0, pH -XX	5.5	2.44	2.91	1.44
IR8S030	198 801 427	3.00	Flow -X0, pH -XX	6.5	2.97	3.54	1.44
IR8S040	198 801 420	4.00	Flow -X0, pH -XX	7.5	4.40	4.55	1.44
IR8S050	198 801 429	5.00	Flow -X1	9.0	5.00	5.63	2.25
IR8S060	198 801 430	6.00	Flow -X1	10.5	5.94	6.70	2.25
IR8S080	198 801 431	8.00	Flow -X1	12.0	7.69	8.72	2.25
IR8S100	198 801 432	10.0	Flow -X2	18.0	10.64	12.12	2.25
IR8S120	198 801 433	12.0	Flow -X2	20.0	12.62	14.32	2.25

- For use with Flow: P51530-X0/-X1/-X2, 3-2536-X0/-X1/-X2, 3-8510-X0/-X1, 3-8512-X0/-X1, 3-2537-XC-X0/-X1, 3-2551-X0-XX/-X1-XX/-X2-XX
- For use with pH/ORP: 3-272X-XX, 3-273X-XX

- C - Clearance dimension
- Up to 8 in. - PVDF insert, over 8 in. - PVC insert
- Buna O-ring
- Larger sizes may be available as well as PTFE wetted material. Contact factory.