

## LC Series Universal Stopcock™

1/4" PVC

### KEY FEATURES

- Available in Industrial Grade PVC
- Six End Connections in One Package
- Ideal for Laboratory Service
- Fine Control of Flow
- Superior Sealing Design
- EPDM Seat and Seals Standard
- Hex Wrench Included for End Connection Installation
- NSF / ANSI 61 and NSF / ANSI 372 Listed

### MATERIALS

- PVC Cell Class 12454 per ASTM D1784
- EPDM O-Ring Seals



Certified to  
NSF/ANSI 61 & 372

## TECHNICAL INFORMATION

### SELECTION CHART

SIZE	MATERIAL	END CONNECTION	SEALS	PRESSURE RATING
1/4" (DN8)	PVC	FPT x FPT FPT x MPT FPT x Hose MPT x MPT MPT x Hose Hose x Hose	EPDM	150 PSI @ 70°F 10 Bar @ 21°C Non-Shock

FPT = female pipe thread, MPT = male pipe thread

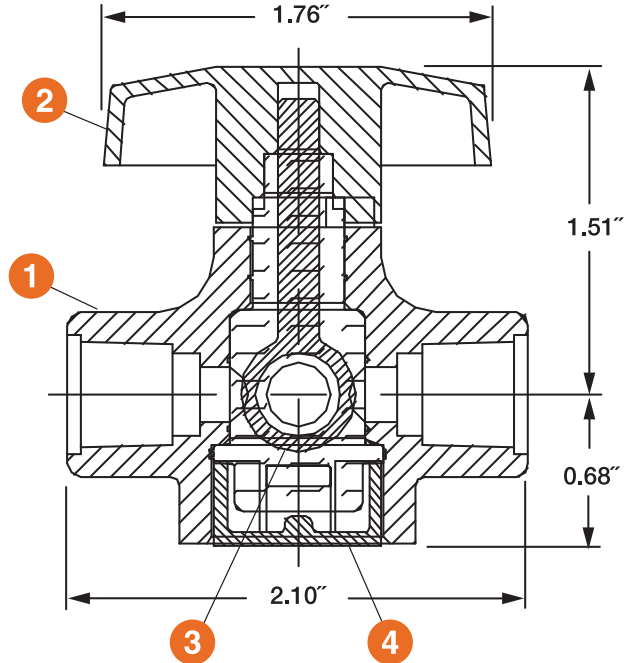
# LC Series Universal Stopcock™

1/4" PVC

## TECHNICAL INFORMATION, CONTINUED

### PARTS LIST

1. Stopcock Body
2. Handle
3. Plug
4. Retainer Cap

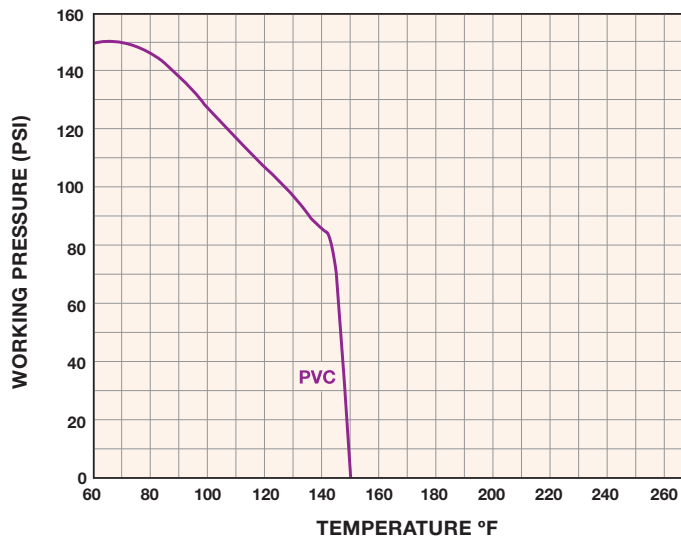


### DIMENSIONS

END CONNECTION	LENGTH in / mm
FPT x FPT	2.10 / 53
FPT x MPT	2.82 / 72
FPT x Hose	3.11 / 79
MPT x MPT	3.54 / 90
MPT x Hose	3.83 / 97
Hose x Hose	4.11 / 104

Dimensions are subject to change without notice – consult factory for installation information

### OPERATING TEMPERATURE/PRESSURE



### PRESSURE LOSS CALCULATION FORMULA

$$\Delta P = \left[ \frac{Q}{C_v} \right]^2$$

$\Delta P$  = Pressure Drop

$Q$  = Flow in GPM

$C_v$  = Flow Coefficient



Hayward is a registered trademark  
of Hayward Industries, Inc.  
© 2018 Hayward Industries, Inc.

USA: 1.888.429.4635 • Fax: 1.888.778.8410 • One Hayward Industrial Drive • Clemmons, NC 27012 • Email: hfcsales@hayward.com

Canada: 1.888.238.7665 • Fax: 1.905.829.3636 • 2880 Plymouth Drive • Oakville, ON L6H 5R4 • Email: hflowcanada@hayward.com

Visit us at: haywardflowcontrol.com