



**Omni® T-27 Ball Valve**

**Specifications**

**Sizes:** 3/8" - 2"  
**Models:** Socket and Threaded  
**Bodies:** PVC, CPVC  
**Seats:** PTFE backed with EPDM  
**Seals:** EPDM

**Sizes 3/8" - 2" PVC/EPDM Models  
 NSF-61 Certified**

**Standard Features (Sizes 3/8" - 2")**

- 2-way blocking valve
- Compact, Low profile
- Unibody sealed carrier construction
- Short face to face dimension
- 2-Stem O-rings
- PTFE seats with elastomeric backing
- Ergonomic handle design
- Full vacuum service rating
- Full port opening
- Accepts molded ISO top flange for actuation mounting

**Options**

- Electrically Actuated Series 83  
 120, 220 12/24 VAC, 12/24 VDC

**Parts List (Sizes 3/8" - 2")**

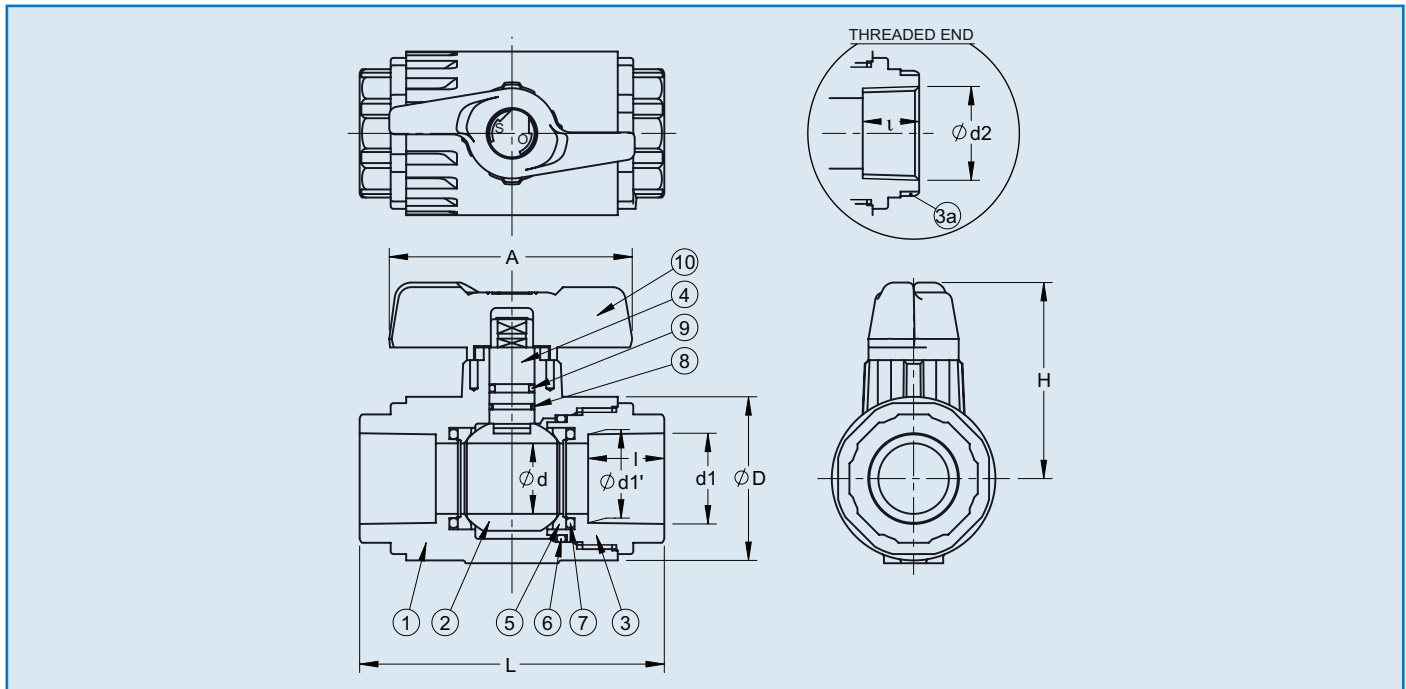
PARTS		
NO.	DESCRIPTION	MATERIAL
1	Body	PVC, CPVC
2	Ball	PVC, CPVC
3	End Carrier	PVC, CPVC
4	Stem	PVC, CPVC
5	Seat	PTFE
6	O-Ring (B)	EPDM
7	O-Ring (C)	EPDM
8	O-Ring (D)	EPDM
9	O-RING (E)	EPDM
10	Handle	ABS
30	Ring	304SS

**Sample Specification**

Omni® T-27 ball valves shall be PVC or CPVC body with EPDM seals and PTFE seats. Valves shall be 1 piece construction, have 2-way blocking capability, and have elastomeric backing cushions behind the PTFE seats for low stem torque, and to compensate for wear. End connections shall be either socket or threaded. Valve stems shall feature 2 stem o-rings. Valves shall accept the installation of a molded ISO top mounting flange for actuation mounting. PVC conforming to ASTM D1784 CC 12454A, and CPVC ASTM D1784 CC 23567A. Valves shall be rated 150psi at 70°F as manufactured by Asahi/America Inc.



# Omni® T-27 Ball Valve



## Dimensions (Sizes 3/8" – 2") (in.)

NOMINAL SIZE	SOCKET			THREADED		L	d	A	D	H	
	ASTM SCH 40			ASTM SCH 40							
INCHES	mm	d1	d1	l	d2	l					
3/8	13	0.687	0.671	0.59	3/8 - 18 NPT	0.59	2.72	0.59	2.95	1.57	2.07
1/2	15	0.848	0.836	0.69	1/2 - 14 NPT	0.59	3.11	0.59	2.95	1.57	2.07
3/4	20	1.058	1.046	0.72	3/4 - 14 NPT	0.67	3.70	0.79	3.43	1.93	2.46
1	25	1.325	1.310	0.87	1 - 11 1/2 NPT	0.79	4.25	0.98	3.43	2.28	2.74
1-1/4	32	1.670	1.655	0.94	1 1/4 - 11 1/2 NPT	0.87	4.76	1.22	4.13	2.68	3.21
1-1/2	40	1.912	1.894	1.09	1 1/2 - 11 1/2 NPT	0.98	5.75	1.57	5.31	3.25	3.78
2	50	2.387	2.369	1.16	2 - 11 1/2 NPT	1.10	6.86	2.01	5.31	4.09	4.23

**Note:** The shape and appearance of assembly differ a little with nominal size compared to this drawing.

## Weight (lbs.)

NOMINAL SIZE		SOCKET		THREADED		NOMINAL SIZE		Cv
INCHES	mm	PVC	CPVC	PVC	CPVC	INCHES	mm	
3/8	13	0.26	0.27	0.27	0.28	3/8	13	7.7
1/2	15	0.27	0.28	0.28	0.30	1/2	15	14
3/4	20	0.43	0.46	0.45	0.48	3/4	20	29
1	25	0.64	0.68	0.67	0.71	1	25	47
1-1/4	32	0.94	1.00	0.99	1.05	1-1/4	32	72
1-1/2	40	1.53	1.64	1.60	1.71	1-1/2	40	155
2	50	2.62	2.78	2.71	2.87	2	50	190

## Cv Values

## Pressure vs. Temperature (psi, water, non-shock)

NOMINAL SIZE		PVC		CPVC		
INCHES	mm	30° F 120° F	30° F 120° F	121° F 140° F	141° F 175° F	176° F 195° F
3/8-2	13-50	150	150	120	90	60