

Electrically Actuated Type-23



Series 92 on Type-23 Ball Valve



Series 94 on Type-23 Ball Valve

L port ball configuration supplied as a standard for 180 degree rotation.

Dimensions (in.) Series 92 on Type-23 (1/2"-4")

NOMINAL SIZE		H	H1*
INCHES	mm		
1/2	15	2.76	3.08
3/4	20	3.01	3.56
1	25	3.29	4.32
1-1/2	40	3.98	5.71
2	50	4.43	6.66
3	80	5.47	9.59
4	100	6.97	11.58

*PVC/CPVC Socket End

FOR FEATURES OF SERIES 92
ACTUATOR, SEE PAGE 24.

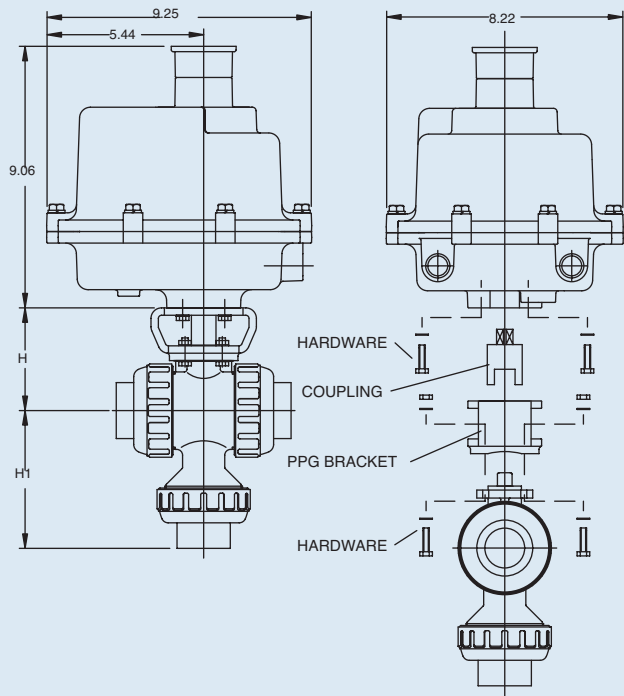
Dimensions (in.) Series 94 on Type-23(1/2"-3")

NOMINAL SIZE		H	H1*
INCHES	mm		
1/2	15	2.76	3.08
3/4	20	3.01	3.56
1	25	3.29	4.32
1-1/2	40	3.98	5.71
2	50	4.43	6.66
3	80	5.47	9.59

*PVC/CPVC Socket End

FOR FEATURES OF SERIES 94
ACTUATOR, SEE PAGE 25

SERIES 92 ON TYPE-23 BALL VALVES SIZES 1/2" - 4"



SERIES 94 ON TYPE-23 BALL VALVES SIZES 1/2" - 3"

