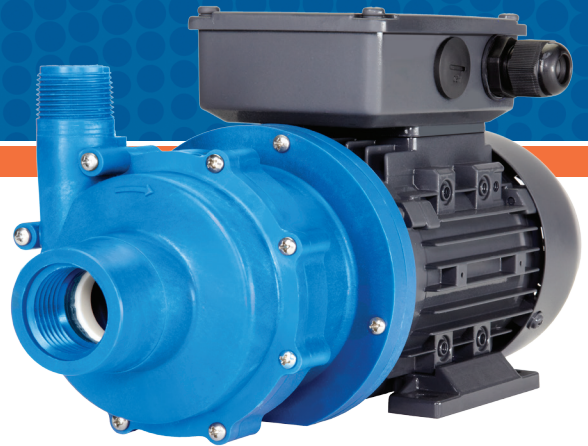
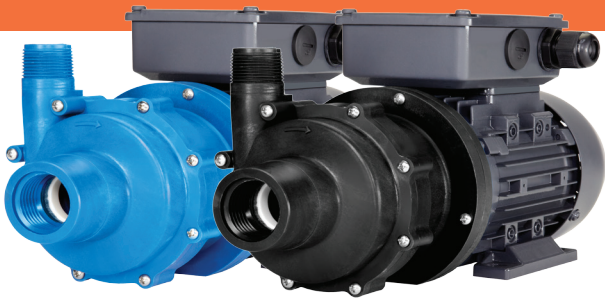




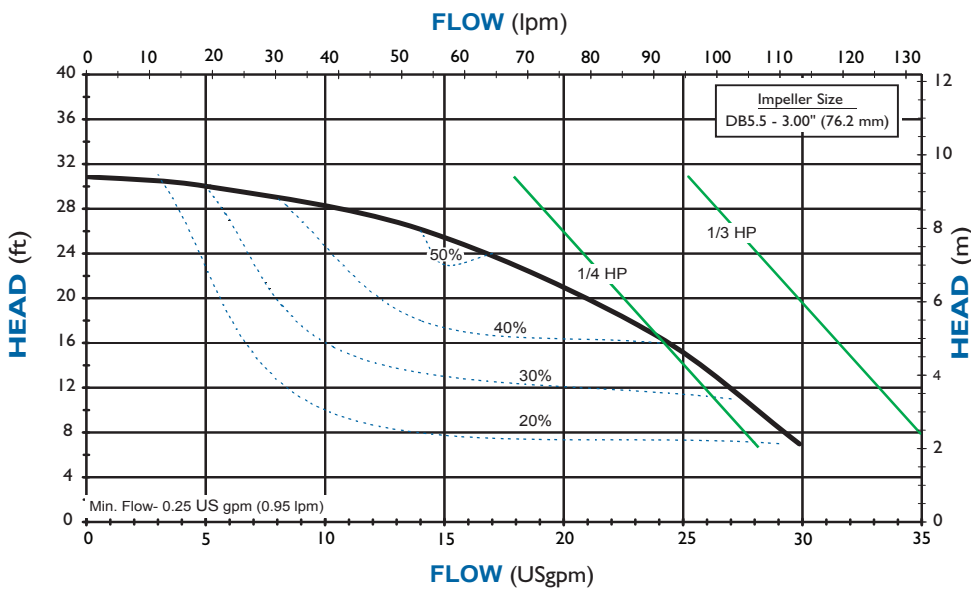
DB SERIES

MODEL DB5.5

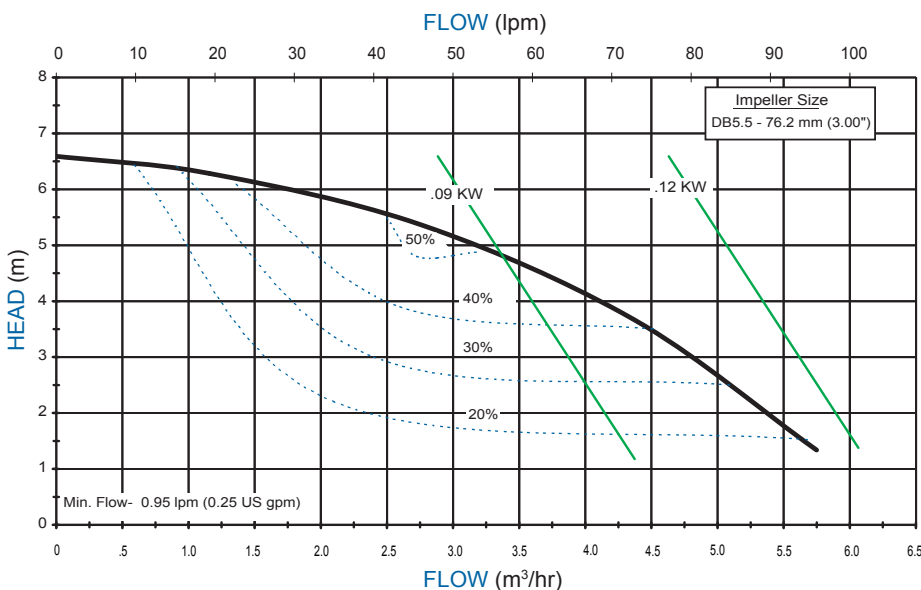


DB5.5 PERFORMANCE 3450 RPM

DB5.5 PERFORMANCE 3450 RPM



DB5.5 PERFORMANCE 2900 RPM



FEATURES & CAPABILITIES

- + Five-year warranty
- + Extended run dry ability (with carbon bushing)
- + High operating efficiency
- + Polypropylene or PVDF construction
- + Powerful neodymium magnets
- + Close-coupled design
- + Threaded NPT or BSP connections
- + Horizontal or vertical installation
- + Back pullout design
- + Mounts to IEC 63 & 71 B14 motor frames
- + Easy set, measurement free drive
- + CE certified
- + Working pressure to 60 psi (4.1 bar)
- + Specific gravity over 1.8
- + Viscosity up to 150 cP
- + Polypropylene—180° F (82° C)
- + PVDF—220° F (104° C)

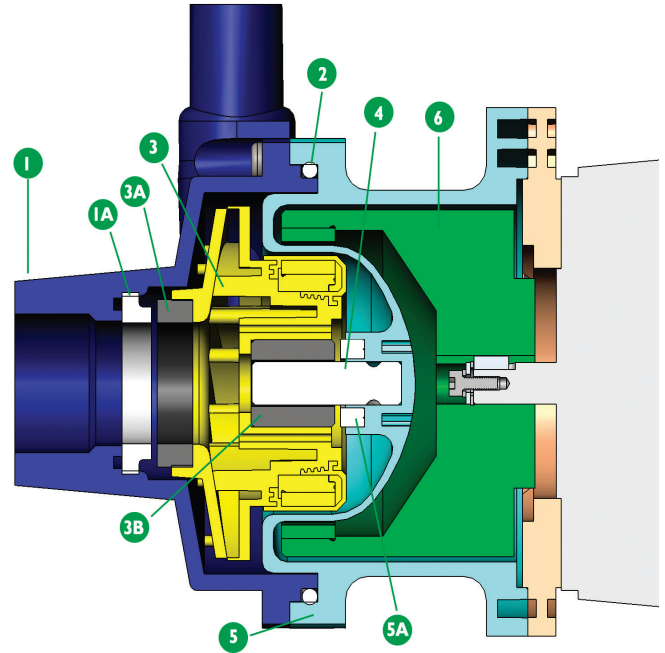
APPLICATIONS

- + Chemical processing
- + Plating
- + Water and wastewater
- + Electronics
- + Pharmaceuticals
- + Wet scrubber
- + Pulp and paper
- + Heat exchanger
- + and many more!

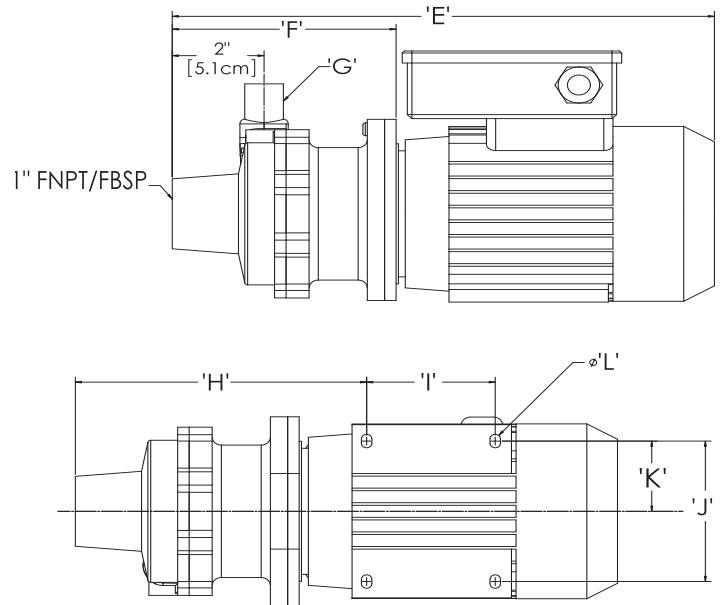
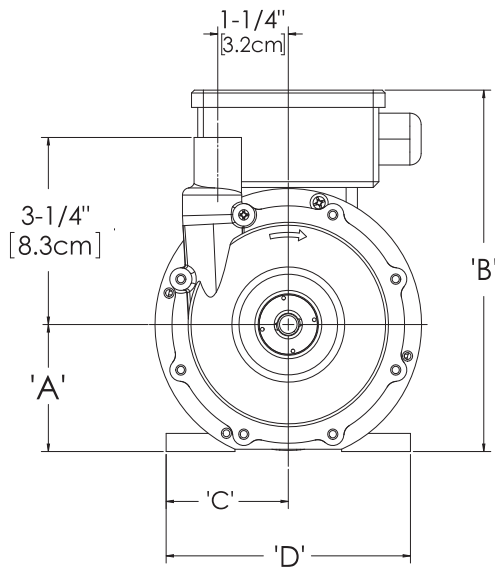
DB SERIES

Specifications

Description	Polypropylene	PVDF
1 Impeller housing	Glass-fiber reinforced polypropylene (GF PP)	Carbon-fiber reinforced PVDF (CF PVDF)
1A Impeller housing thrust ring	High purity alumina ceramic	
2 O-ring	FKM or EPDM	
3 Impeller	GF PP and neodymium iron boron magnets encapsulated in unfilled polypropylene	CF PVDF and neodymium iron boron magnets encapsulated in unfilled PVDF
3A Impeller thrust ring	Glass-fiber molybdenum disulfide filled PTFE	
3B Bushing	Carbon, PTFE, high purity alumina ceramic	
4 Shaft	High purity alumina ceramic	
5 Barrier/Motor adapter	GF PP	CF PVDF
5A Barrier thrust ring	Silicon carbide	
6 Outer drive magnets	Nickel-plated neodymium iron boron magnets/ epoxy painted steel	



Dimensions



Motor Frame	A	B	C	D	E	F	G	H	I	J	K	L	Weight - lbs. [kg]	
													PP	PVDF
IEC 63 w/B14	2-15/32\"/>													

Dimensions and weights are for reference only. Weights listed are for pump only; motor not included.