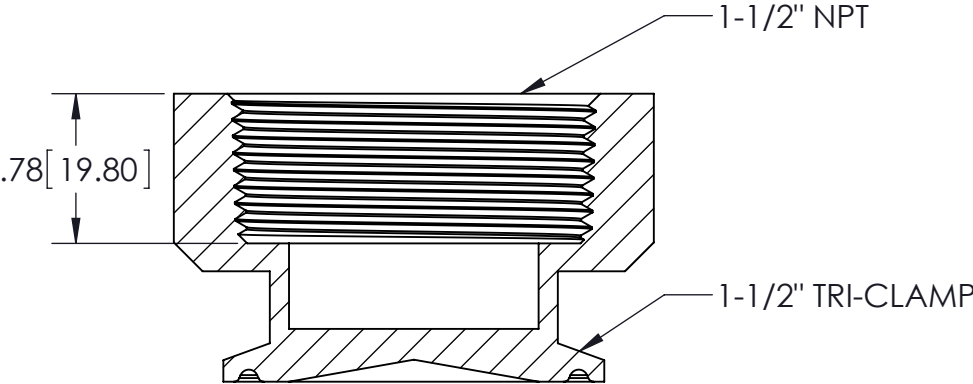
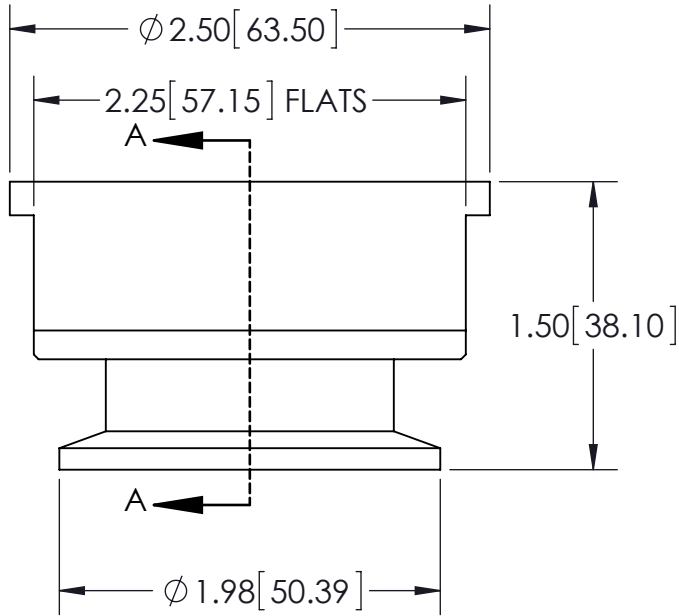
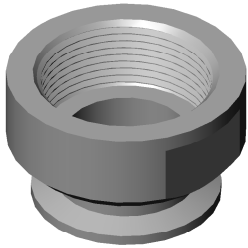


REVISIONS			
REV	ECR	DATE	APPROVED



SECTION A-A

Flowline Part Numbers
 LM53-0440 = capped adapter, 1 1/2" NPT to 1 1/2" tri-clamp, PTFE

THE INFORMATION CONTAINED IN THIS DRAWING IS THE PROPERTY OF FLOWLINE INC.. UNLESS OTHERWISE AUTHORIZED IN WRITING BY FLOWLINE INC.. THIS DRAWING IS ALSO PROHIBITED BY UNITED STATES COPYRIGHT LAWS AND COPYING OR DUPLICATION OF THE INFORMATION ON THIS DRAWING IS NOT ALLOWED UNLESS AUTHORIZED IN WRITING BY FLOWLINE INC. © FLOWLINE INC., 2000

UNLESS OTHERWISE SPECIFIED: DIMENSIONS ARE IN INCHES[MM] TOLERANCES: FRACTIONAL ± ANGULAR: MACH ± BEND ± TWO PLACE DECIMAL ± THREE PLACE DECIMAL ±		AUTOCAD DRAWING NUMBER:		 10500 HUMBOLT LOS ALAMITOS, CALIFORNIA 90720 T(562) 598-3015 F(562) 431-8507		
INTERPRET GEOMETRIC TOLERANCING PER:		DRAWN: MJR 07/03/23				
MATERIAL: PTFE		CHECKED:		TITLE: ADAPTER OUTLINE DRAWING		
FINISH:		ENG APPR.:				
DO NOT SCALE DRAWING		MFG APPR.:		SIZE: A	DWG. NO. O-210726	
		Q.A.:		REV: A		
				SCALE:	WEIGHT:	SHEET 1 OF 1