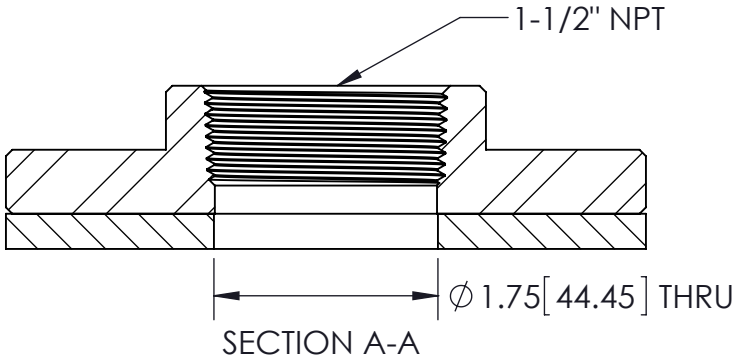
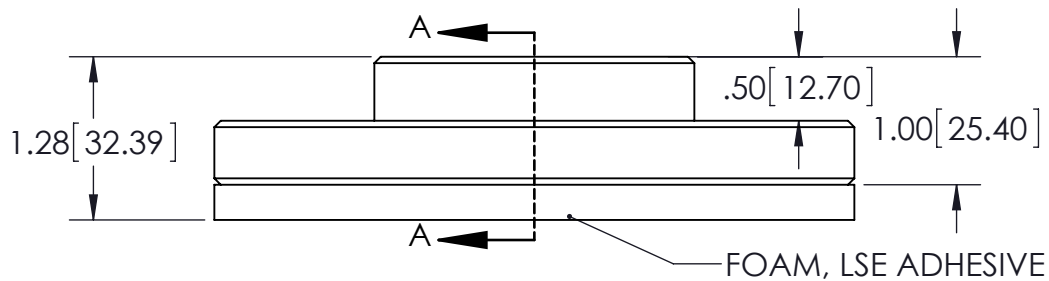
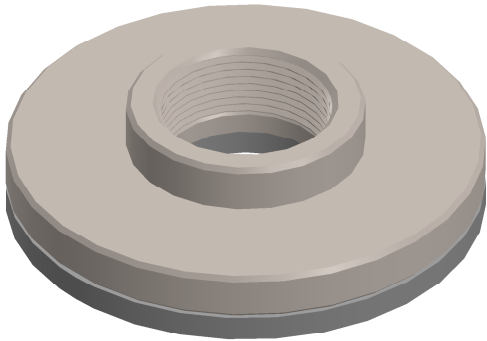



REVISIONS			
REV	ECR	DATE	APPROVED



Flowline Part Numbers
 LM53-4855 = adhesive tank top fitting, 1 1/2" NPT, PVC

THE INFORMATION CONTAINED IN THIS DRAWING IS THE PROPERTY OF FLOWLINE INC.. UNLESS OTHERWISE AUTHORIZED IN WRITING BY FLOWLINE INC.. THIS DRAWING IS ALSO PROHIBITED BY UNITED STATES COPYRIGHT LAWS AND COPYING OR DUPLICATION OF THE INFORMATION ON THIS DRAWING IS NOT ALLOWED UNLESS AUTHORIZED IN WRITING BY FLOWLINE INC. © FLOWLINE INC., 2000

UNLESS OTHERWISE SPECIFIED: DIMENSIONS ARE IN INCHES[MM] TOLERANCES: FRACTIONAL ± ANGULAR: MACH ± BEND ± TWO PLACE DECIMAL ± THREE PLACE DECIMAL ±		AUTOCAD DRAWING NUMBER:		 10500 HUMBOLT LOS ALAMITOS, CALIFORNIA 90720 T(562) 598-3015 F(562) 431-8507	
INTERPRET GEOMETRIC TOLERANCING PER:		NAME	DATE	TITLE: ADAPTER OUTLINE DRAWING	
MATERIAL PVC/FOAM/LSE ADH		DRAWN	MJR	07/03/23	SIZE DWG. NO. REV
FINISH		CHECKED			A O-210755 A
DO NOT SCALE DRAWING		ENG APPR.			SCALE: WEIGHT: SHEET 1 OF 1
		MFG APPR.			
		Q.A.			