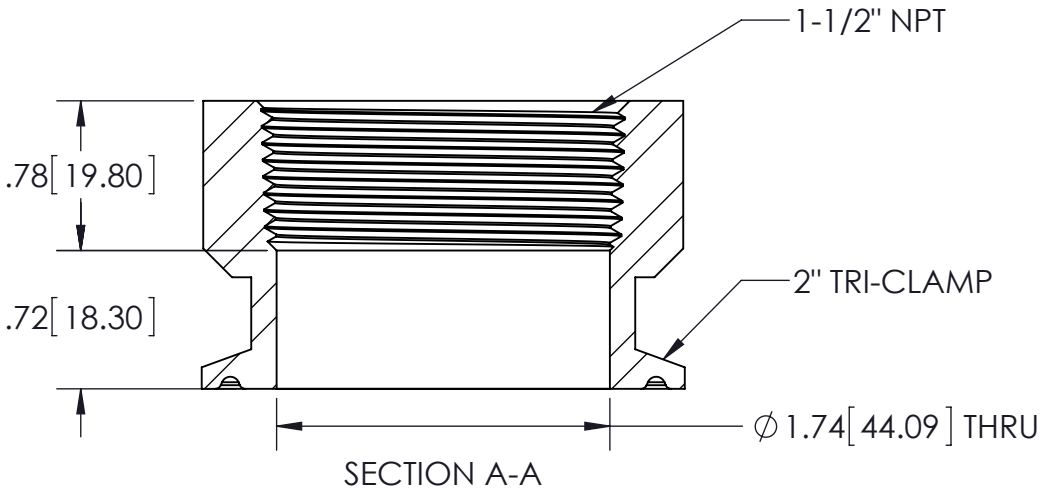
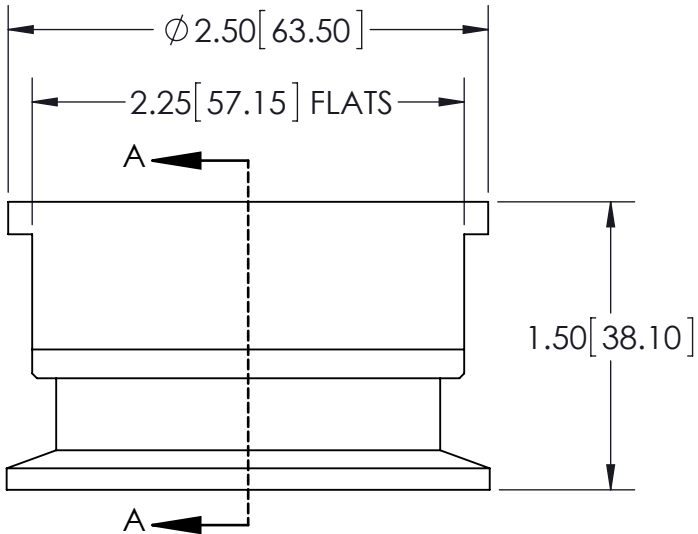
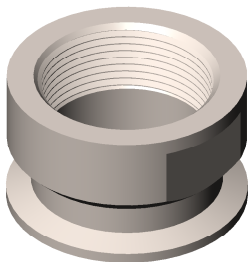


REVISIONS			
REV	ECR	DATE	APPROVED



Flowline Part Numbers
 LM52-1880 = adapter, 1 1/2" NPT to 2" tri-clamp, 316L

THE INFORMATION CONTAINED IN THIS DRAWING IS THE PROPERTY OF FLOWLINE INC.. UNLESS OTHERWISE AUTHORIZED IN WRITING BY FLOWLINE INC.. THIS DRAWING IS ALSO PROHIBITED BY UNITED STATES COPYRIGHT LAWS AND COPYING OR DUPLICATION OF THE INFORMATION ON THIS DRAWING IS NOT ALLOWED UNLESS AUTHORIZED IN WRITING BY FLOWLINE INC. © FLOWLINE INC., 2000

UNLESS OTHERWISE SPECIFIED: DIMENSIONS ARE IN INCHES[MM] TOLERANCES: FRACTIONAL ± ANGULAR: MACH ± BEND ± TWO PLACE DECIMAL ± THREE PLACE DECIMAL ±	AUTOCAD DRAWING NUMBER:		
INTERPRET GEOMETRIC TOLERANCING PER:	DRAWN	NAME	DATE
MATERIAL SS316	CHECKED	MJR	07/03/23
FINISH	ENG APPR.		
DO NOT SCALE DRAWING	MFG APPR.		
	Q.A.		

10500 HUMBOLT LOS ALAMITOS, CALIFORNIA 90720 T(562) 598-3015 F(562) 431-8507		
TITLE: ADAPTER OUTLINE DRAWING		
SIZE A	DWG. NO. O-210729	REV A
SCALE:	WEIGHT:	SHEET 1 OF 1