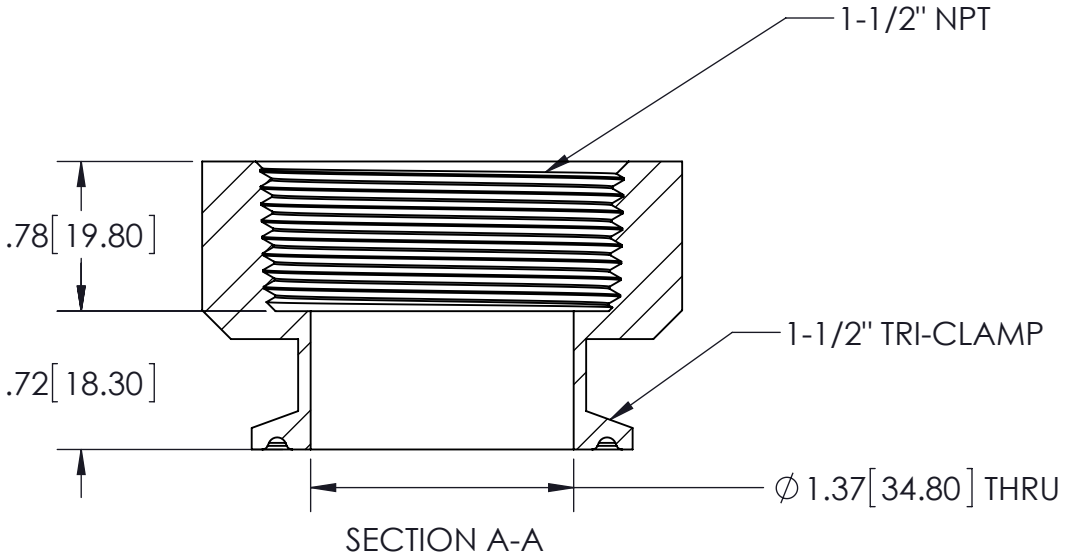
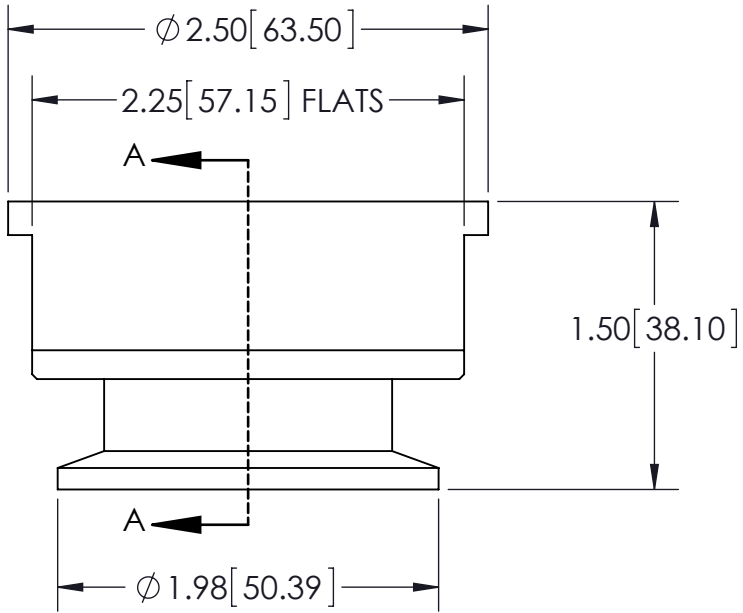
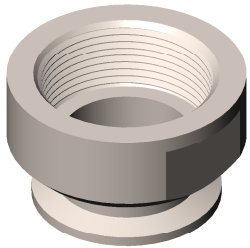



REVISIONS			
REV	ECR	DATE	APPROVED



Flowline Part Numbers
 LM53-1S80 = adapter, 1 1/2" NPT to 1 1/2" tri-clamp, 316L

THE INFORMATION CONTAINED IN THIS DRAWING IS THE PROPERTY OF FLOWLINE INC.. UNLESS OTHERWISE AUTHORIZED IN WRITING BY FLOWLINE INC.. THIS DRAWING IS ALSO PROHIBITED BY UNITED STATES COPYRIGHT LAWS AND COPYING OR DUPLICATION OF THE INFORMATION ON THIS DRAWING IS NOT ALLOWED UNLESS AUTHORIZED IN WRITING BY FLOWLINE INC. © FLOWLINE INC., 2000

UNLESS OTHERWISE SPECIFIED: DIMENSIONS ARE IN INCHES[MM] TOLERANCES: FRACTIONAL ± ANGULAR: MACH ± BEND ± TWO PLACE DECIMAL ± THREE PLACE DECIMAL ±		AUTOCAD DRAWING NUMBER:		 <small>10500 HUMBOLT LOS ALAMITOS, CALIFORNIA 90720 T(562) 598-3015 F(562) 431-8507</small>	
INTERPRET GEOMETRIC TOLERANCING PER:		NAME	DATE	TITLE: ADAPTER OUTLINE DRAWING	
MATERIAL SS316	FINISH	DRAWN MJR	07/03/23	SIZE A	DWG. NO. O-210728
DO NOT SCALE DRAWING		CHECKED	ENG APPR.	SCALE:	WEIGHT:
		Q.A.	MFG APPR.	SHEET 1 OF 1	