



Panel Mount Transmitter



Hinged Cover



Flat Cover

The Signet Rear Enclosure Kit allows the 9900 Transmitter to be mounted just about anywhere. The design features make it suitable for installations onto walls, pipes, struts or inside panels. There are two kits available, Rear Enclosure with Hinged cover or with Flat cover. Kits can be installed on any generation of the 3-9900-1P Panel Mount Transmitter. They can also be used with the 3-9900-1BC Batch Controller System.

The hinged cover version is suitable for wall or pipe mount installations. The kit is equipped with necessary wall mounting hardware. Plastic tie wraps or metal hose clamps (customer supplied) can be used for pipe mount installations. Two slots are available up to 12.7 mm (0.5 in.) wide. The hinged cover design allows for easy access to the back of the 9900 Transmitter for wiring and module installation. The user can install the hinged door to swing down, up or side-to-side.

The flat cover kit is designed to fit inside a panel for waterproof protection.

Both options have sufficient space for all 9900 Transmitter modules. Enclosures have hole markers on all sides, so users can drill holes and position the wires on the top, bottom or sides.

Features

- Compatible with all existing 9900-1P Transmitters
- NEMA TYPE 4X/IP66 rated for indoor or outdoor installations
- Spacious for any 9900 Transmitter accessory module
- Hinged cover design for easy to access wiring
- Hinged cover suitable for wall mount or pipe mount installations
- Use inside a panel for waterproof protection
- Drill holes on any side for flexible wiring orientation



Applications

- Wastewater Treatment
- Reverse Osmosis
- Deionization
 - Ultra Pure Water
 - Two Bed System
 - Mixed Bed System
- Chemical Manufacturing/Addition
- Metal and Plastic Finishing
- Fume Scrubber
- Cooling Towers
- Media Filtration
- Aquatic
- Municipalities

Specifications

General

Case Material	PBT-PC alloy	
Rear Enclosure Gasket	Silicone molded gasket	
Front Gasket	Hinged Cover Kit - Silicone molded gasket	
	Flat Cover Kit - Polyurethane die-cut foam gasket	

Brass Inserts and Stainless Steel Screws

Mounting	Panel	Rear Enclosure, Flat
	Wall	Rear Enclosure, Hinged cover
	Pipe	Rear Enclosure, Hinged cover

Environmental

Ambient Operating Temperature	-10 °C to 70 °C	14 °F to 158 °F
Rating	NEMA TYPE 4X/IP66	

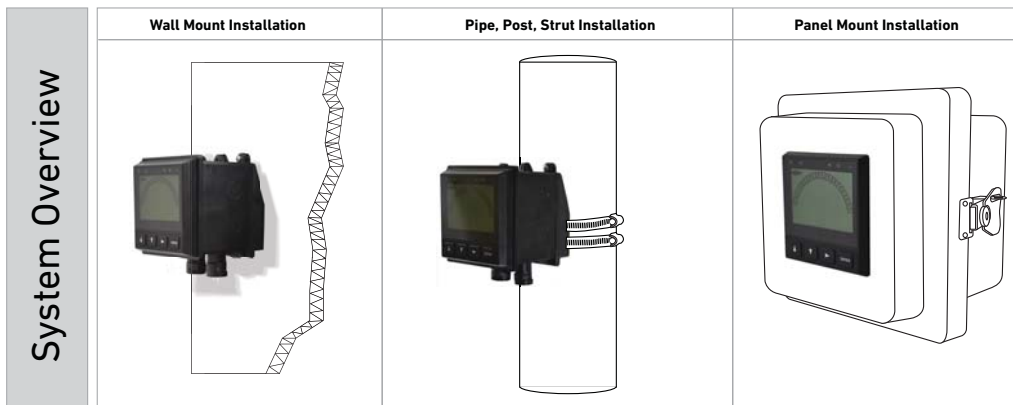
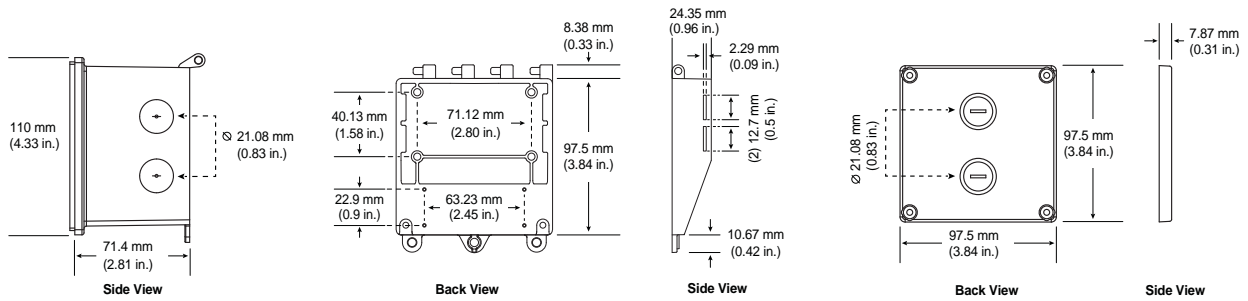
Shipping Weights

Rear Enclosure, Hinged cover	0.30 kg	0.65 lb
Rear Enclosure, Flat cover	0.28 kg	0.60 lb

Standards and Approvals

RoHS compliant, China RoHS
 Manufactured under ISO 9001 for Quality and ISO 14001 for Environmental Management and OHSAS 18001 for Occupational Health and Safety

Dimensions



Ordering Information

Mfr. Part No	Code	Description
3-9900.399-1	159 001 834	Rear Enclosure Hinged Cover
3-9900.399-2	159 001 835	Rear Enclosure Flat Cover

3-9900-399.099 Rev A (02/16)

© Georg Fischer Signet LLC

3401 Aero Jet Avenue, El Monte, CA 91731-2882 U.S.A. • Tel. (626) 571-2770 • Fax (626) 573-2057 • www.gfsignet.com • e-mail: signet.ps@georgfischer.com

Specifications subject to change without notice. All rights reserved. All corporate names and trademarks stated herein are the property of their respective companies.