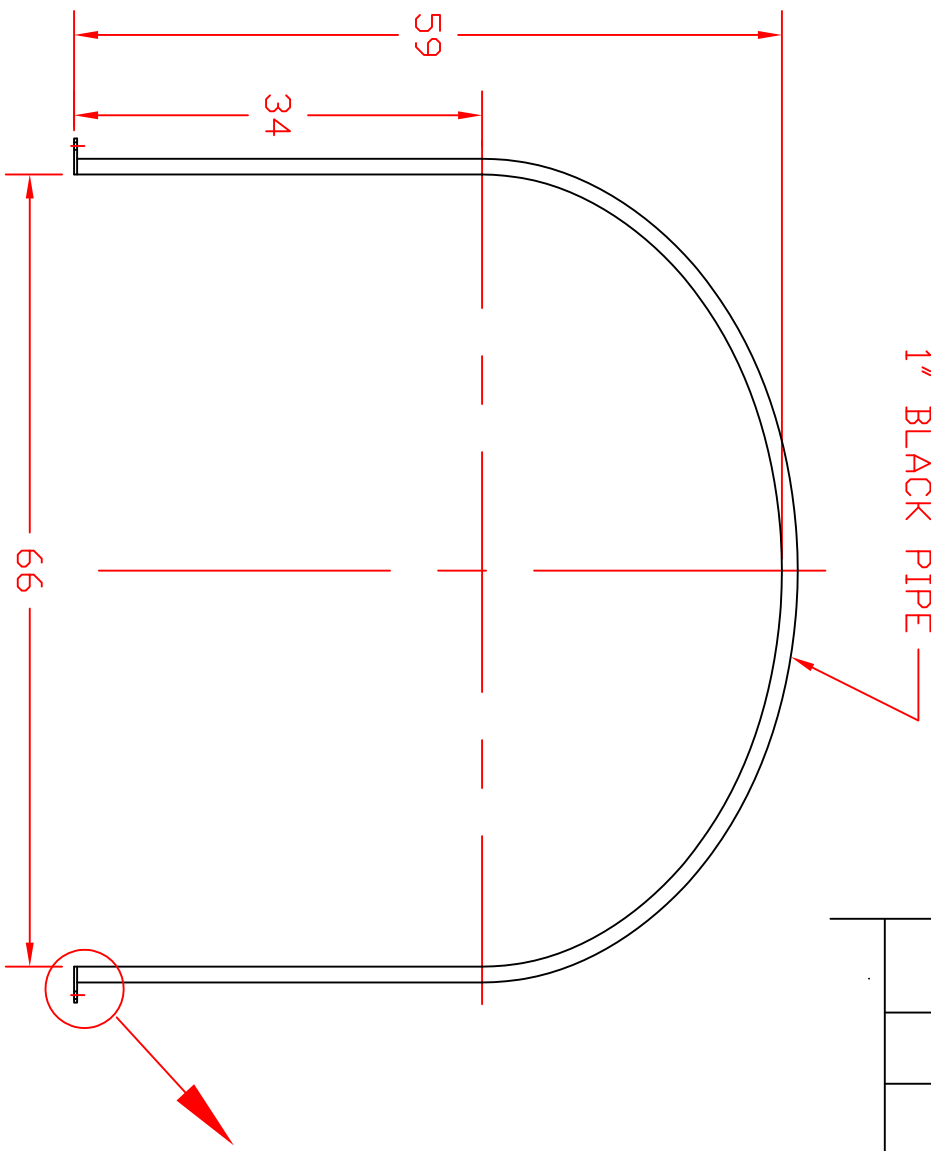
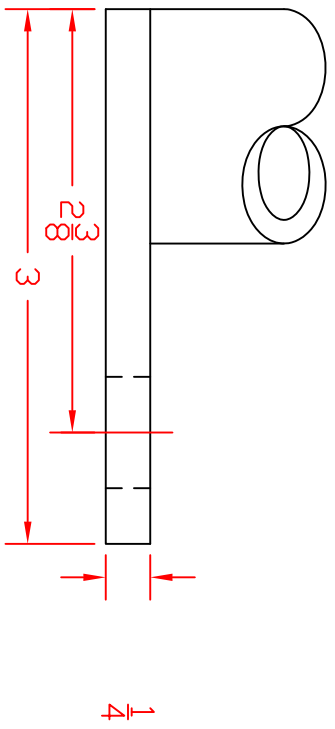
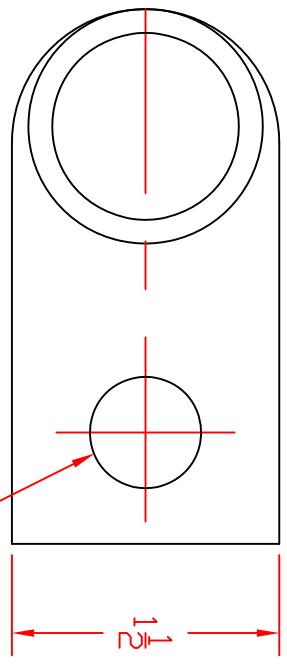


1" BLACK PIPE



REVISIONS				
ZONE	REV	DESCRIPTION	DATE	APPROVED



FULL SCALE DETAIL



ST. BONIFACIUS, MN

BAND, 2010 ELLIPTICAL
DRAINABLE LEG TANK

NOTE: WELD WITH LOW HYDROGEN ROD

FINISH: HOT DIPPED GALVANIZED

JTP	15FEB11	SCALE 1/16	SHEET
SIZE	FSCM NO.	DWG NO.	REV
A		63846	