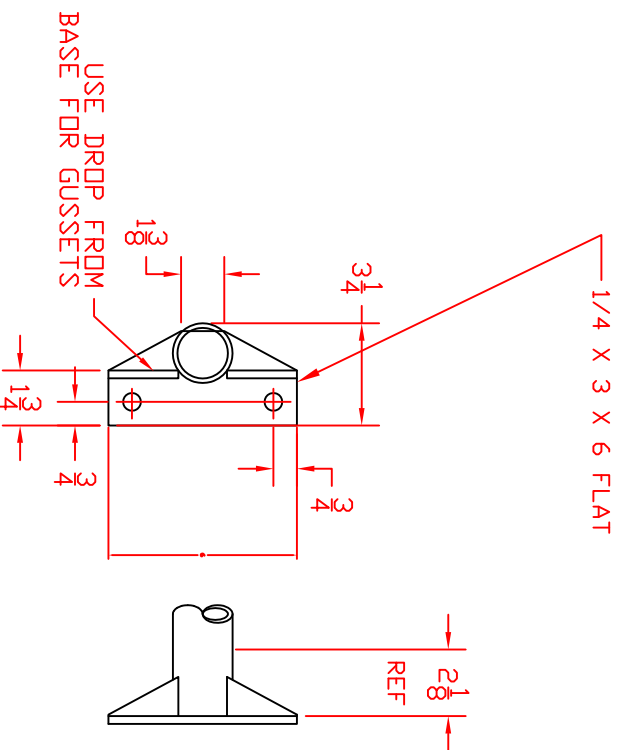
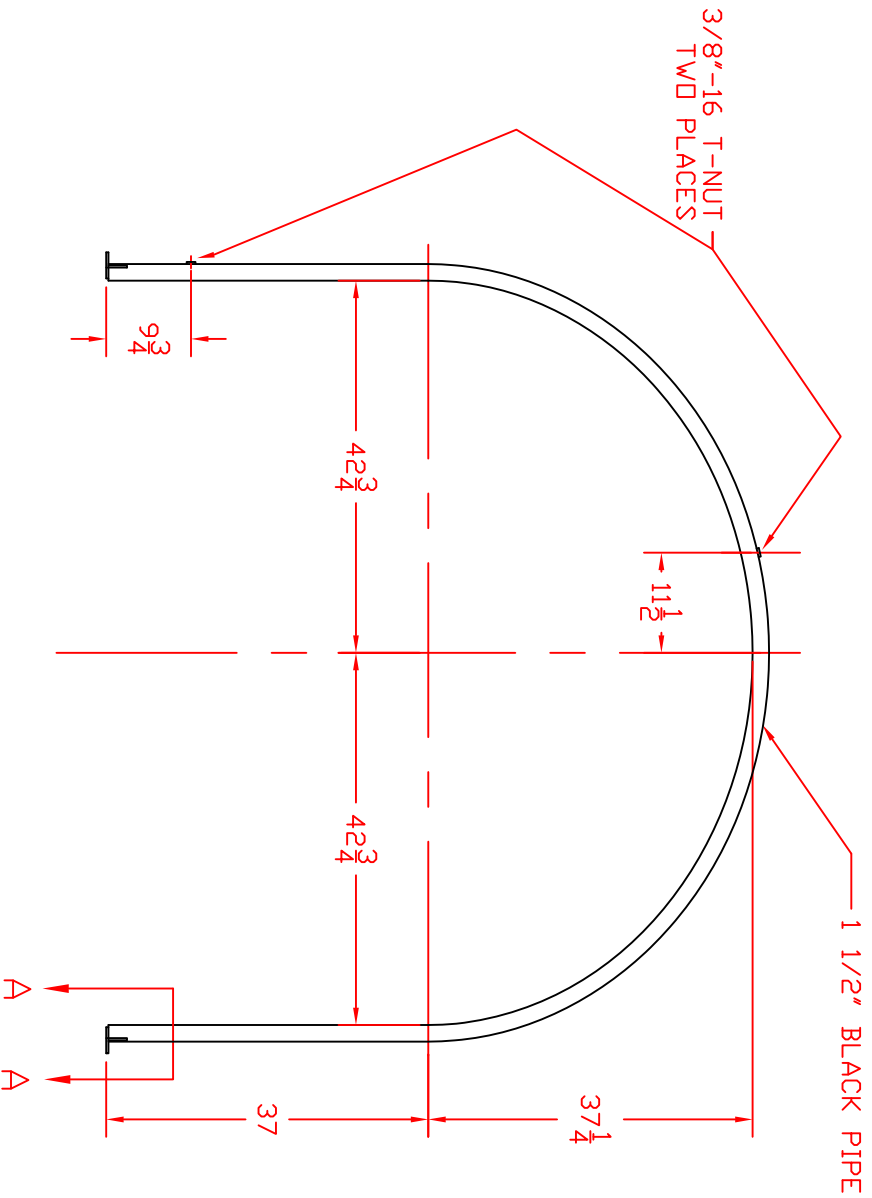


REVISIONS				
ZONE	REV	DESCRIPTION	DATE	APPROVED



VIEW A-A
1/4 SCALE

		ST. BONIFACIUS, MN	
		2650-3135-3250 GALLON ELLIPTICAL LEG	
TANK BAND		JTP 13NOV07	
SCALE 1/16	SIZE B	FORM NO.	DWG NO. 63620
SHEET		REV	