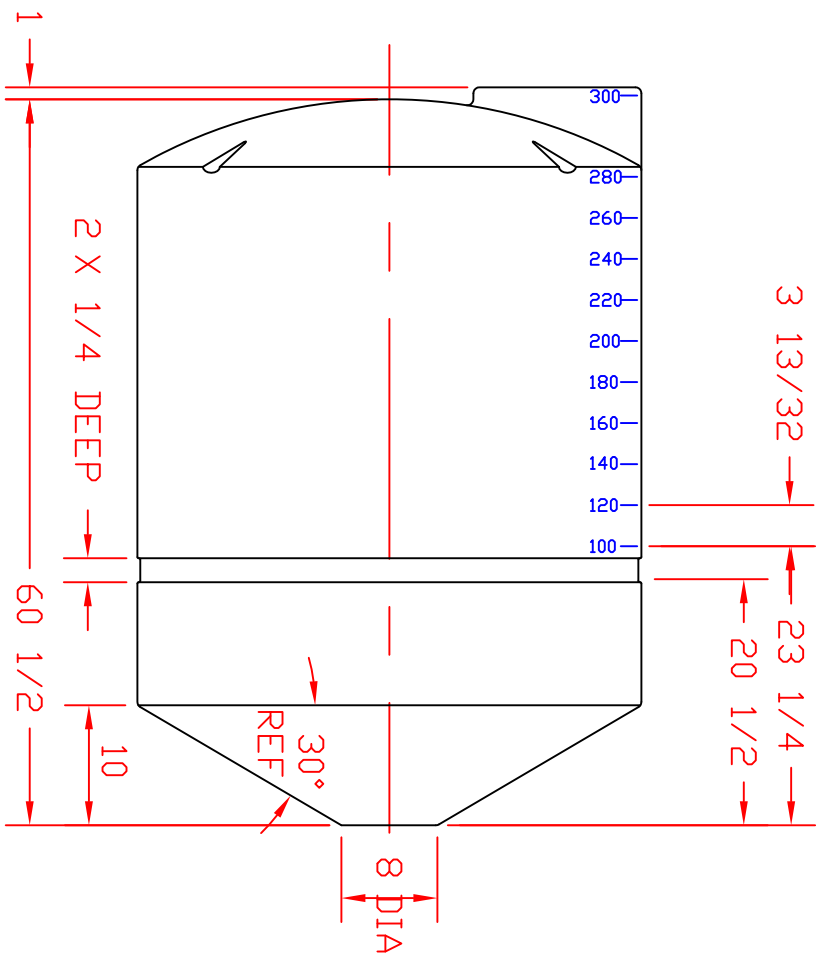
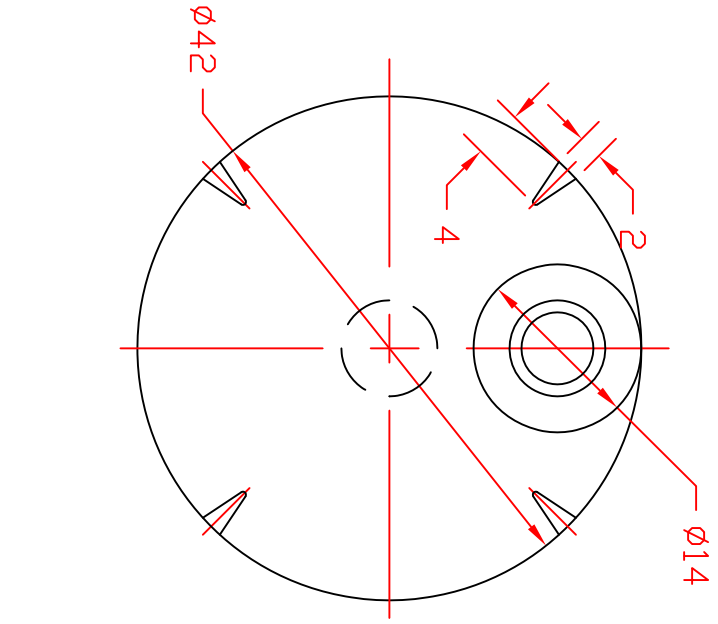


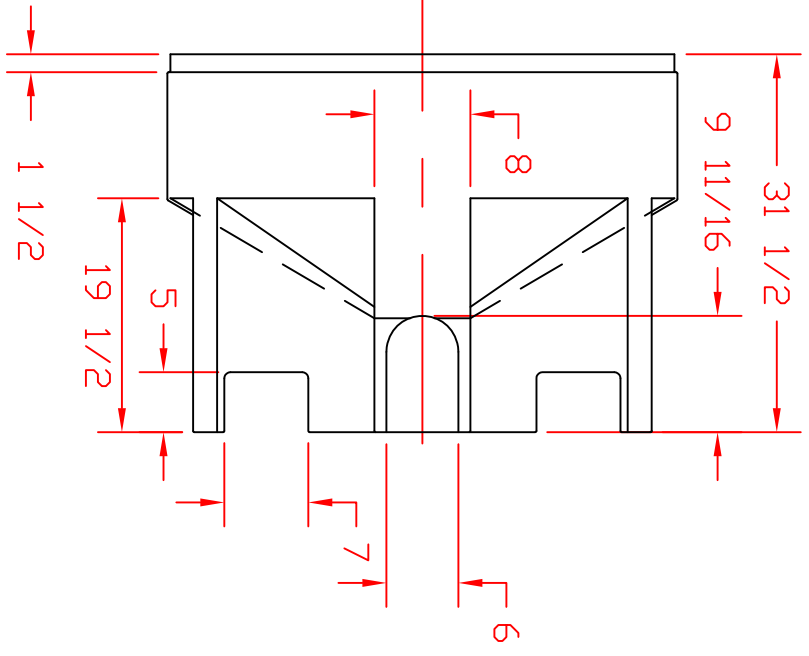
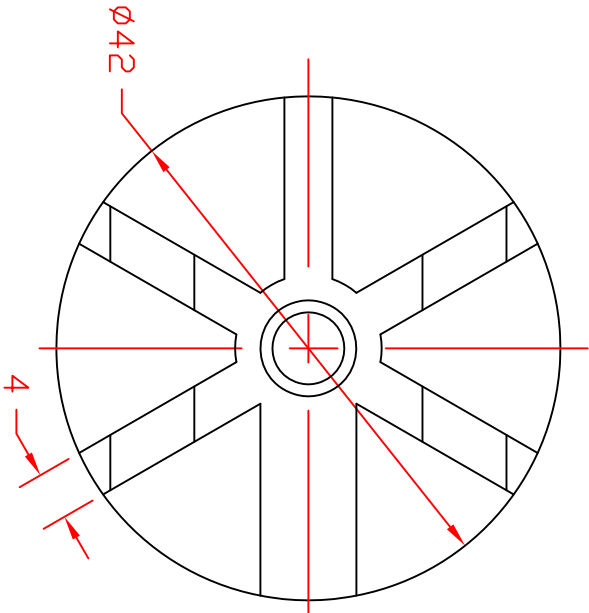
REVISIONS

ZONE	REV	DESCRIPTION	DATE	APPROVED
A		P/N WS 62443	01NOV01	



		ST. BONIFACIUS, MN	
		310 GALLON CONE BOTTOM TANK	
JTP	30JUN99	SIZE	FSCM NO.
		A	
SCALE 1/16		DWG NO.	REV
			A

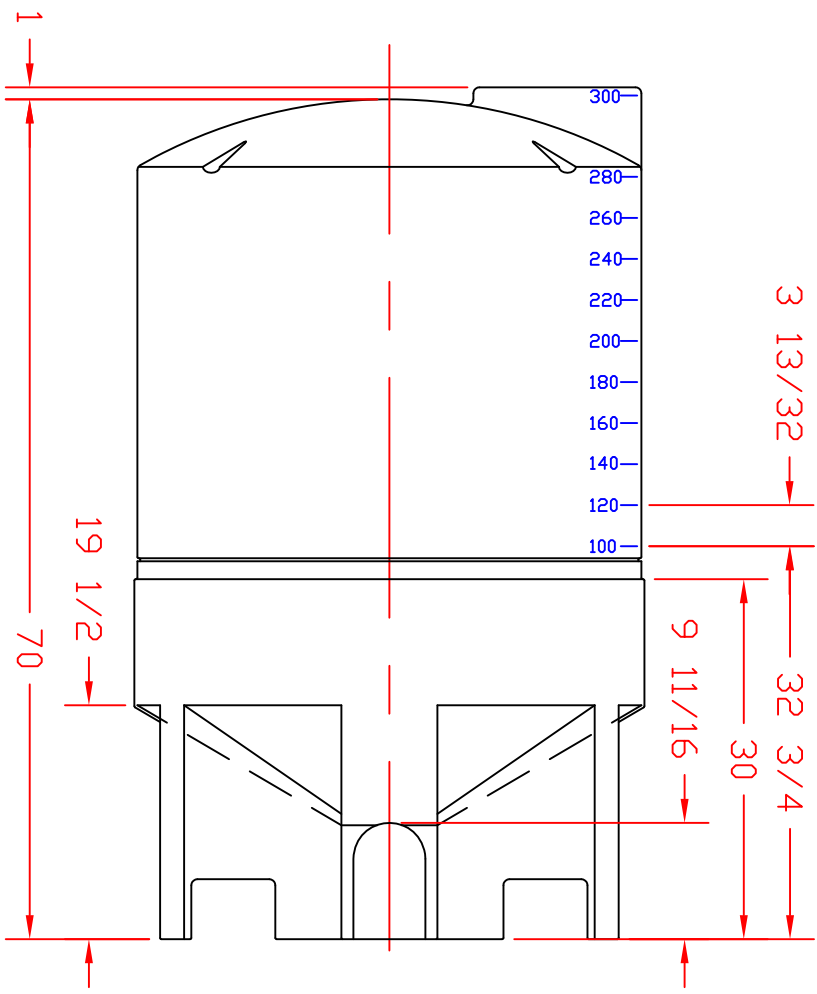
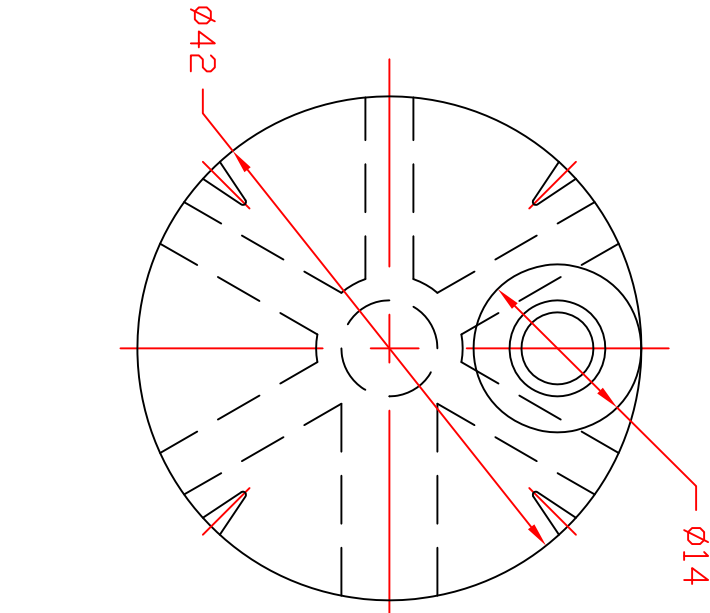
REVISIONS				
ZONE	REV	DESCRIPTION	DATE	APPROVED



		ST. BONIFACIUS, MN	
175/310 GALLON CONE		BOTTOM BASE	
JTP	30JUN99	SIZE	FSCM NO.
SCALE 1/16		DWG NO.	REV
SHEET		REV	

REVISIONS

ZONE	REV	DESCRIPTION	DATE	APPROVED
A	WAS 300		30 JUN 99	



		ST. BONIFACIUS, MN	
		310 GALLON CONE BOTTOM TANK WITH STAND	
JTP	08APR97	SIZE	FSCM NO.
SCALE 1/16		A	DWG NO.
			REV