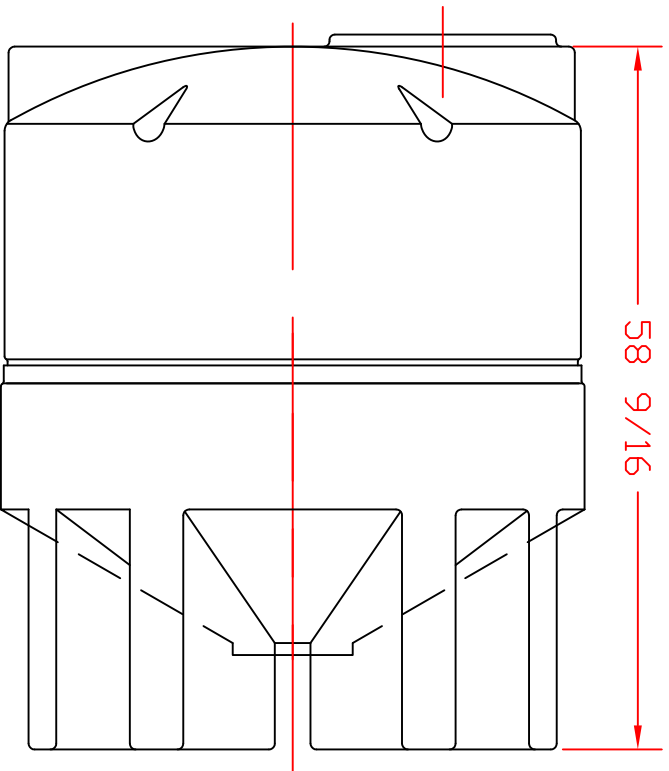



| REVISIONS | | | | |
|-----------|-----|-------------|------|----------|
| ZONE | REV | DESCRIPTION | DATE | APPROVED |
| | | | | |



| | | | |
|--|--|---------------|----------|
|  NORWESCO ST. BONIFACIUS, MN | | JTP 10APR97 | |
| | | SIZE A | FSCM NO. |
| 300 GALLON CONE BOTTOM TANK AND STAND | | | |
| SCALE 1/16 | | SHEET | |