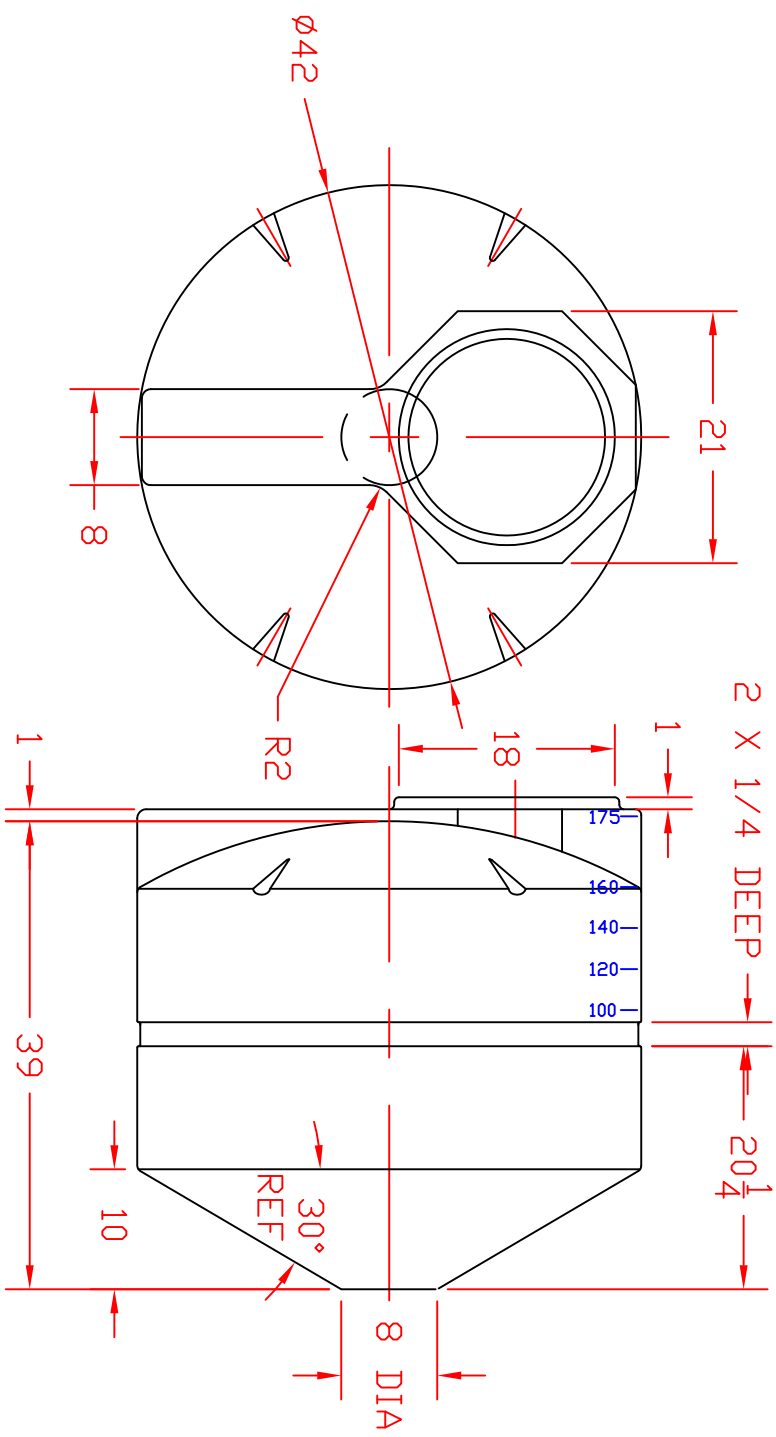
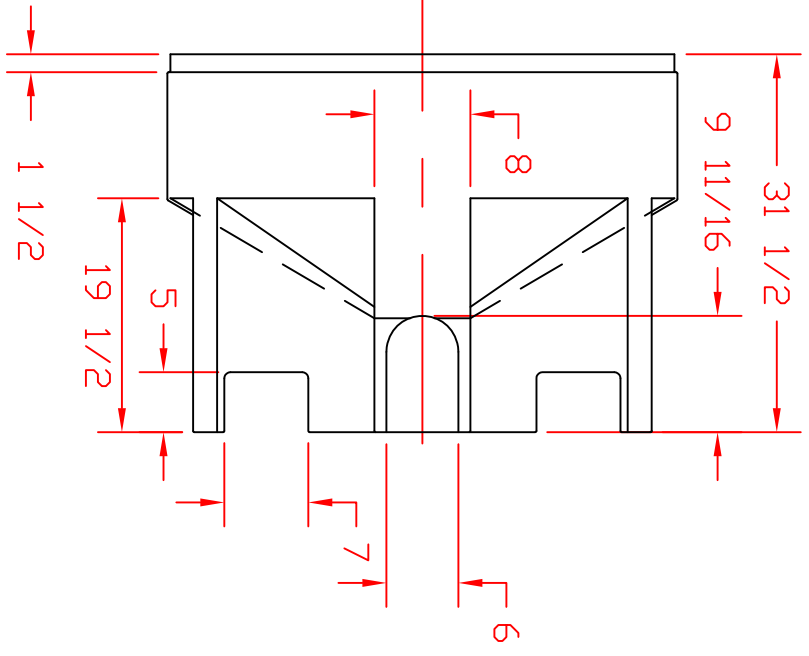
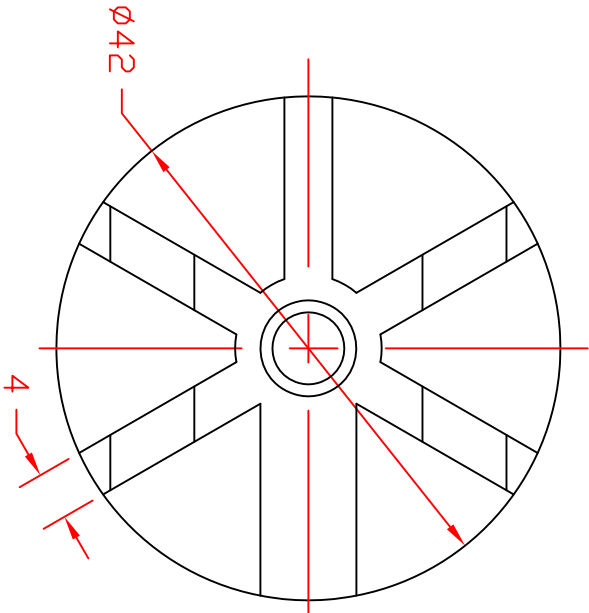


REVISIONS				
ZONE	REV	DESCRIPTION	DATE	APPROVED



		ST. BONIFACIUS, MN			
		175 GALLON CONE BOTTOM TANK			
JTP	08JUN12	SIZE	FSCM NO.	DWG NO.	REV
SCALE 1/16		A		SHEET	

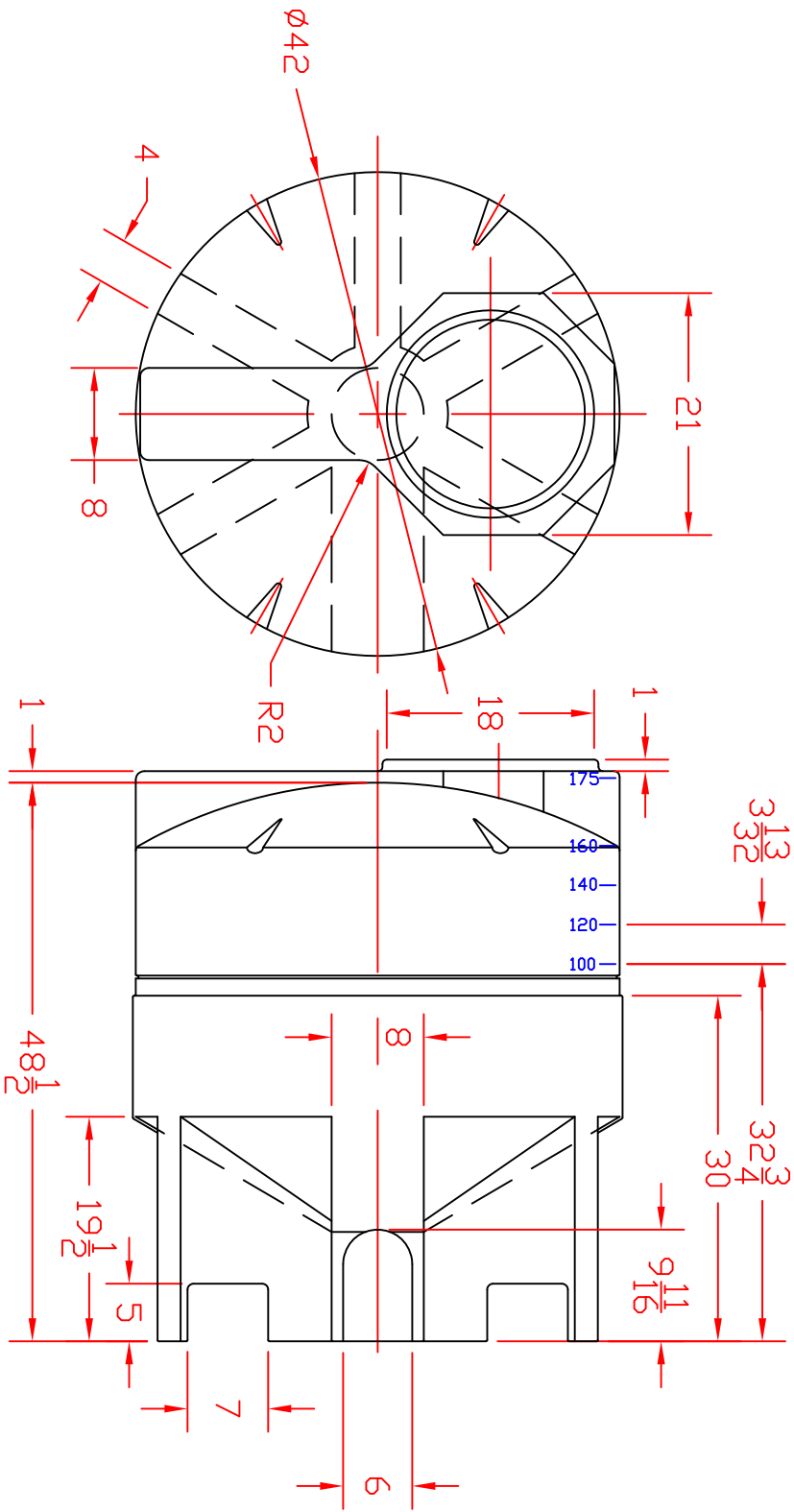
REVISIONS				
ZONE	REV	DESCRIPTION	DATE	APPROVED



 ST. BONIFACIUS, MN		JTP 30JUN99	
		SCALE 1/16	SHEET
175/310 GALLON CONE BOTTOM BASE		SIZE A	REV
FSCM NO.		DWG NO.	

REVISIONS

ZONE	REV	DESCRIPTION	DATE	APPROVED
B		REDRAWN W/ 16" LID	23JAN02	



 ST. BONIFACIUS, MN		175 GALLON CONE BOTTOM TANK WITH STAND	
		JTP	23JAN02
SCALE	1/16	SHEET	
SIZE	FSCM NO.	DWG NO.	REV
A			B