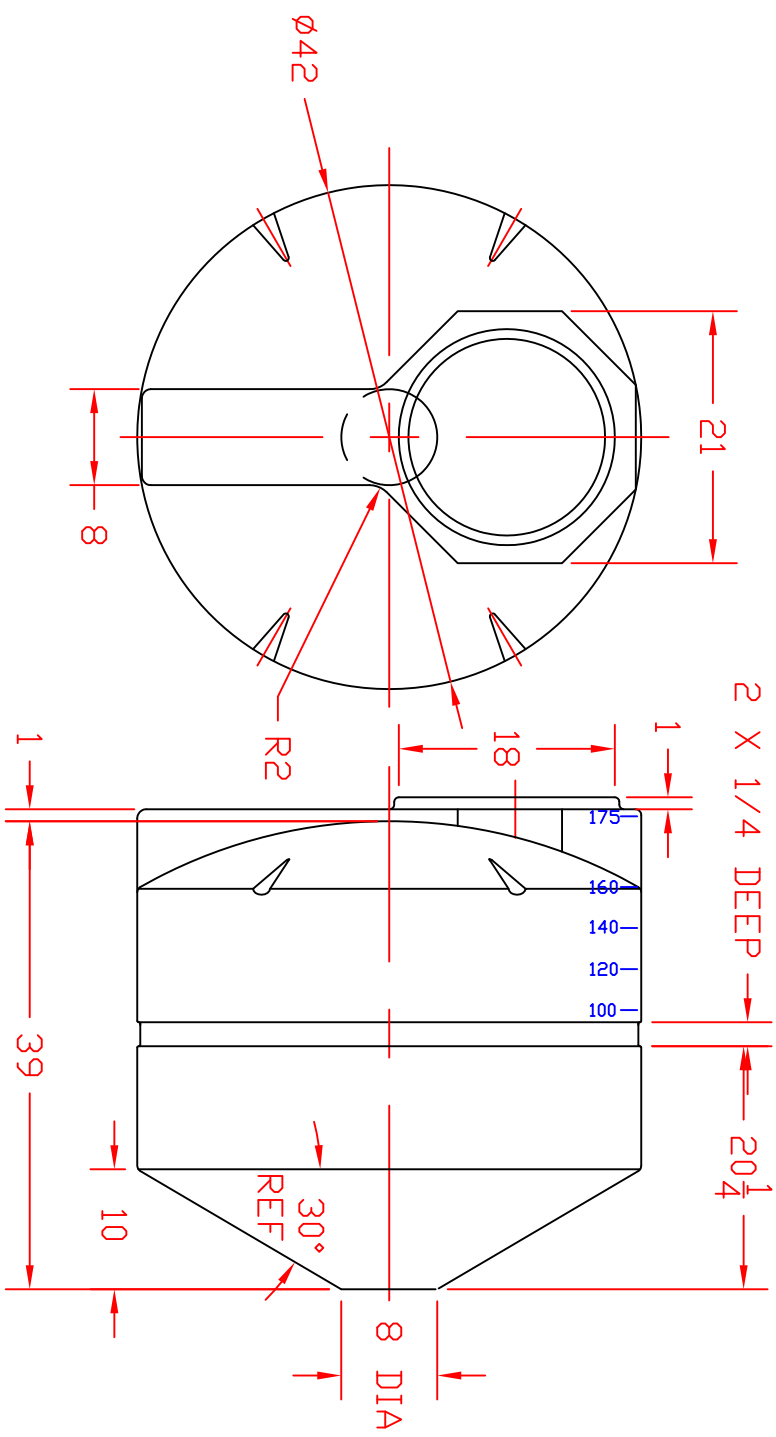
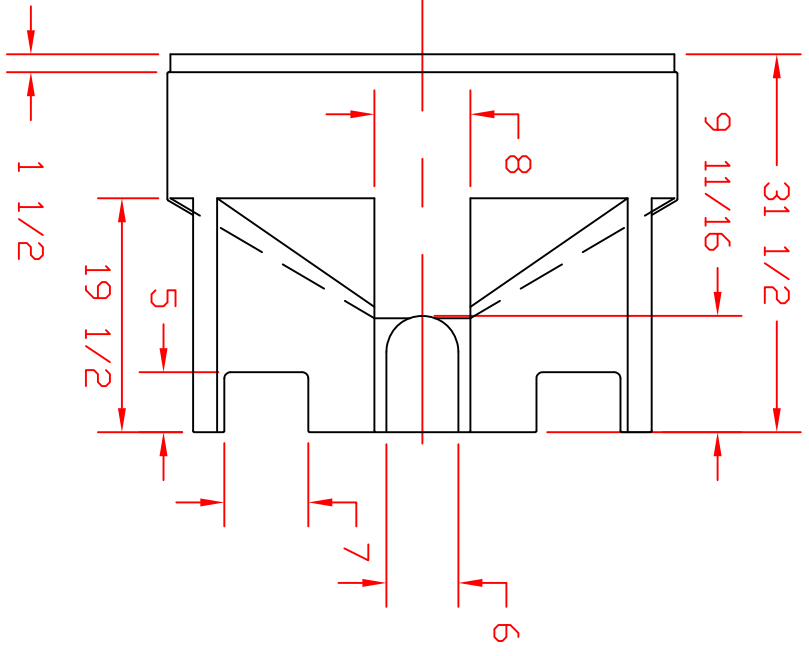
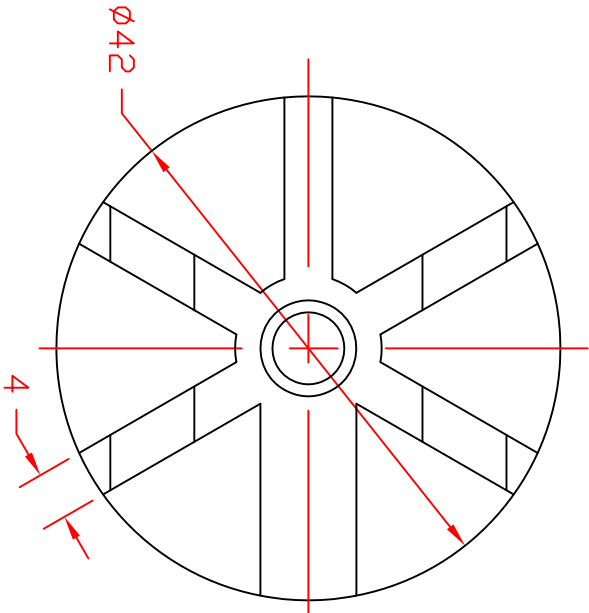


| REVISIONS | | | | |
|-----------|-----|-------------|------|----------|
| ZONE | REV | DESCRIPTION | DATE | APPROVED |
| | | | | |



| | | | | | |
|------------|---------|-----------------------------|----------|---------|-----|
| | | ST. BONIFACIUS, MN | | | |
| | | 175 GALLON CONE BOTTOM TANK | | | |
| JTP | 08JUN12 | SIZE | FSCM NO. | DWG NO. | REV |
| SCALE 1/16 | | A | | SHEET | |

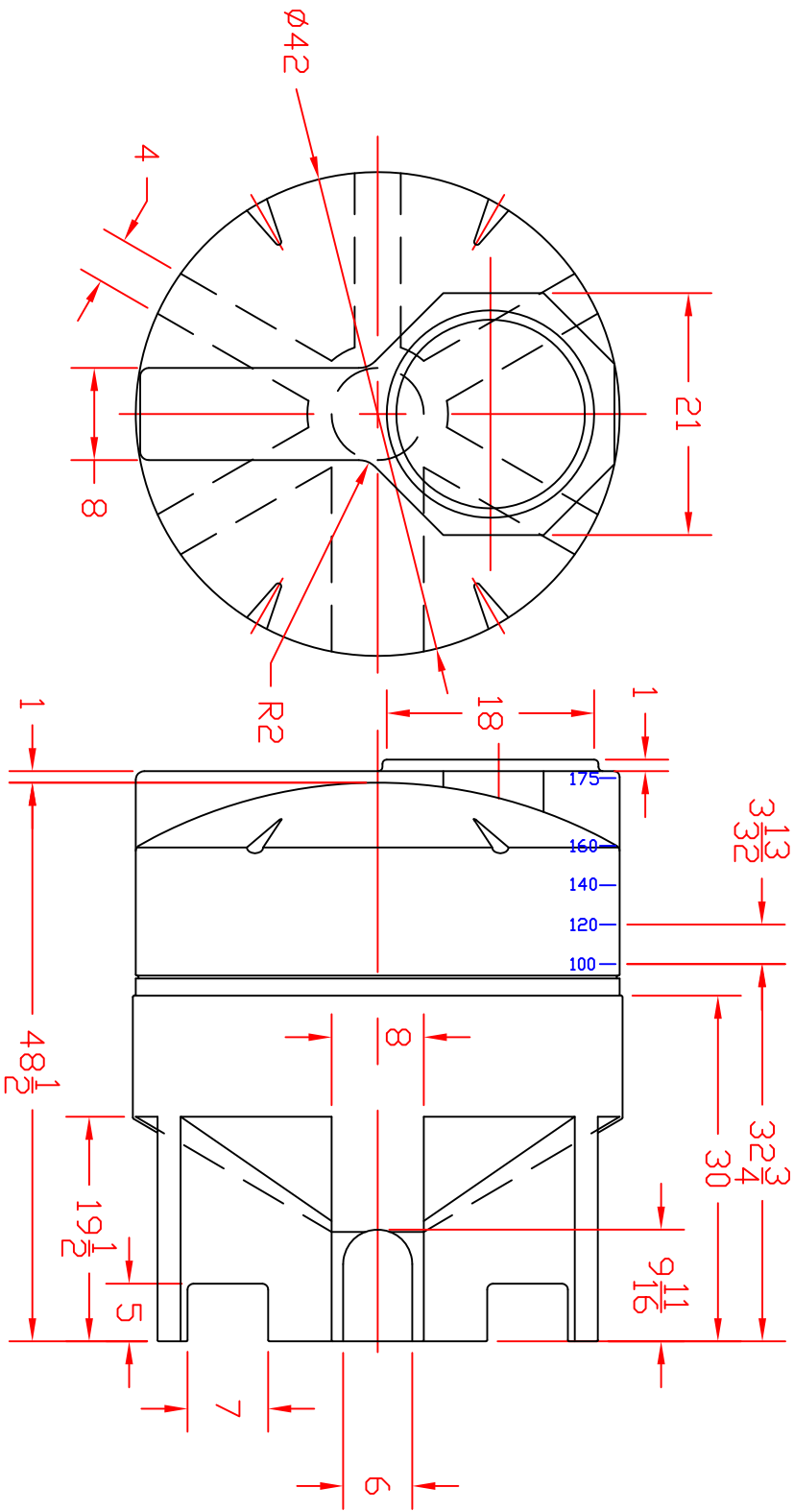
| REVISIONS | | | | |
|-----------|-----|-------------|------|----------|
| ZONE | REV | DESCRIPTION | DATE | APPROVED |
| | | | | |



| | | | | | |
|---|--|-------|----------|---------|-----|
|  ST. BONIFACIUS, MN | | JTP | | 30JUN99 | |
| | | SIZE | FSCM NO. | DWG NO. | REV |
| 175/310 GALLON CONE BOTTOM BASE | | A | | | |
| SCALE 1/16 | | SHEET | | | |

REVISIONS

| ZONE | REV | DESCRIPTION | DATE | APPROVED |
|------|-----|--------------------|---------|----------|
| B | | REDRAWN W/ 16" LID | 23JAN02 | |



| | | | |
|------------------------|---------|------------------------|----------|
| ST. BONIFACIUS, MN | | 175 GALLON CONE BOTTOM | |
| | | TANK WITH STAND | |
| JTP | 23JAN02 | SIZE | FSCM NO. |
| | | A | |
| | | DWG NO. | |
| SCALE 1/16 | | SHEET | REV B |