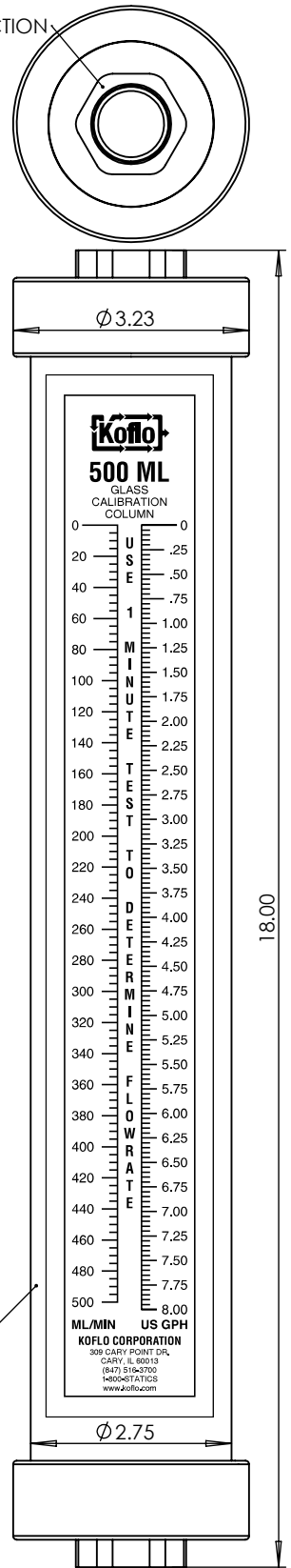
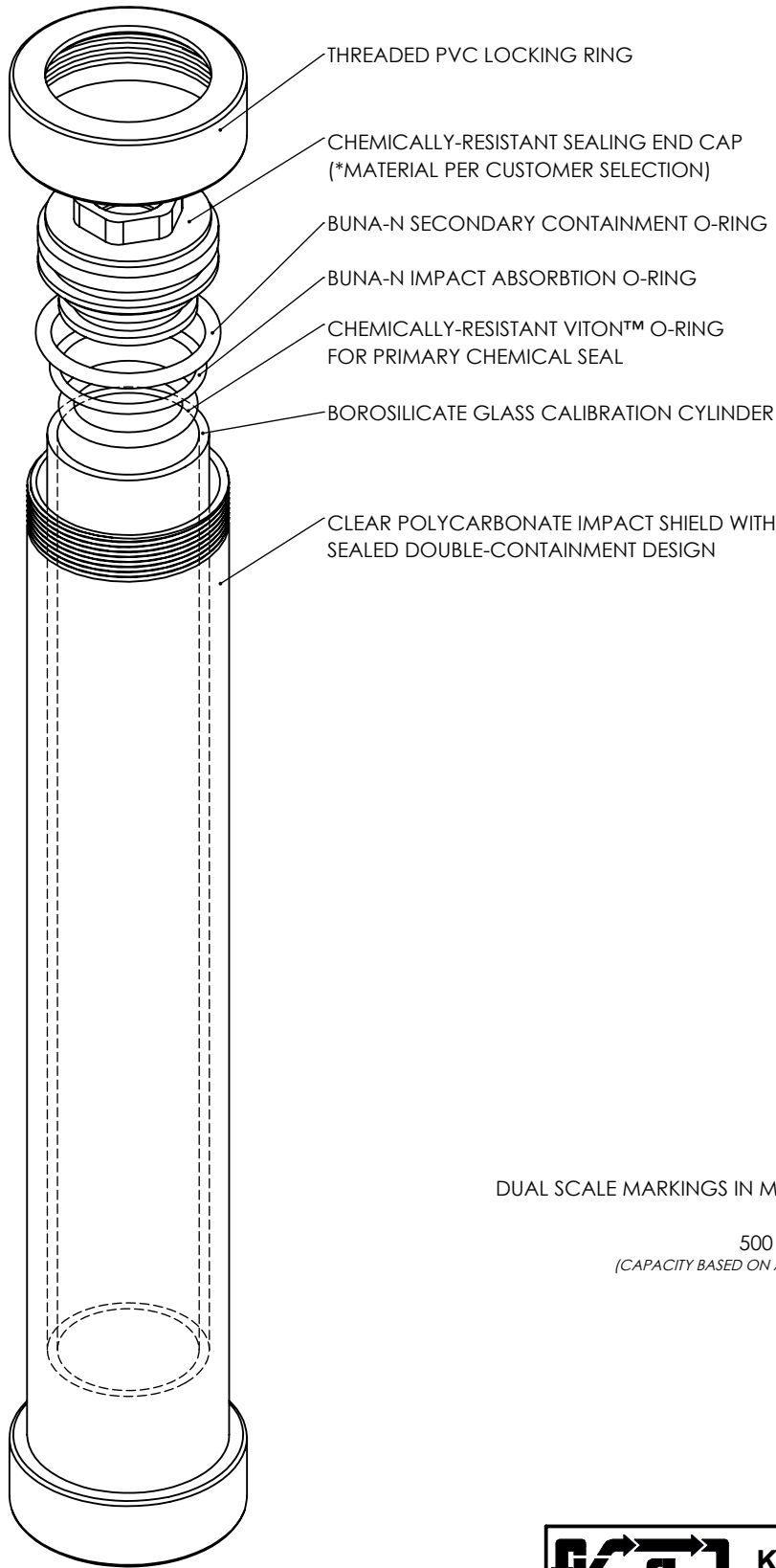



3/4" FEMALE NPT CONNECTION



SCALE DETAILS:
 DUAL SCALE MARKINGS IN ML/MIN AND GPH
CAPACITY:
 500 ML/MIN / 8 GPH
 (CAPACITY BASED ON A ONE (1) MINUTE TEST)
INCREMENTS:
 5 ML / 0.05 GPH

NOTE: ALL DIMENSIONS IN INCHES UNLESS OTHERWISE NOTED

MODEL #	END CAP MATERIAL*
500ML-GL-CPVC	CPVC
500ML-GL-PTFE	PTFE
500ML-GL-316L	316/L SS

 KOFLOR CORPORATION 309 CARY POINT DR. CARY, IL 60013	DRAWING NUMBER: KD-912
	REVISION NO:
TITLE: 500 ML GLASS CALIBRATION COLUMNS	DATE: 6/25/2020
	DRAWN BY: NJF
	APPROVED BY: CJF 6/25/2020
	SCALE: 1:2.5