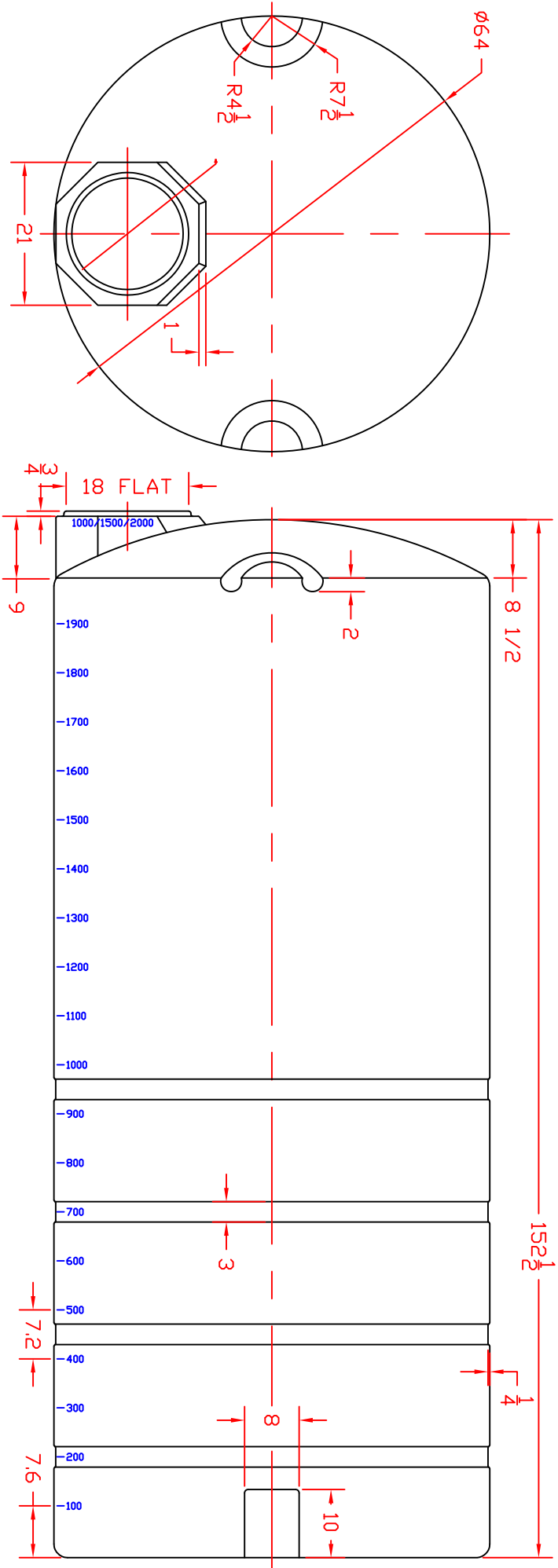
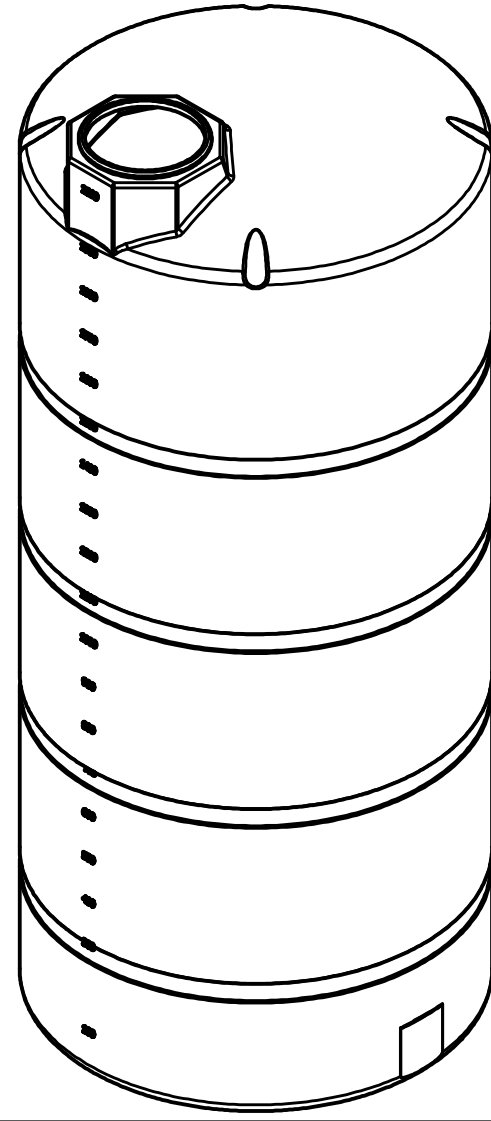
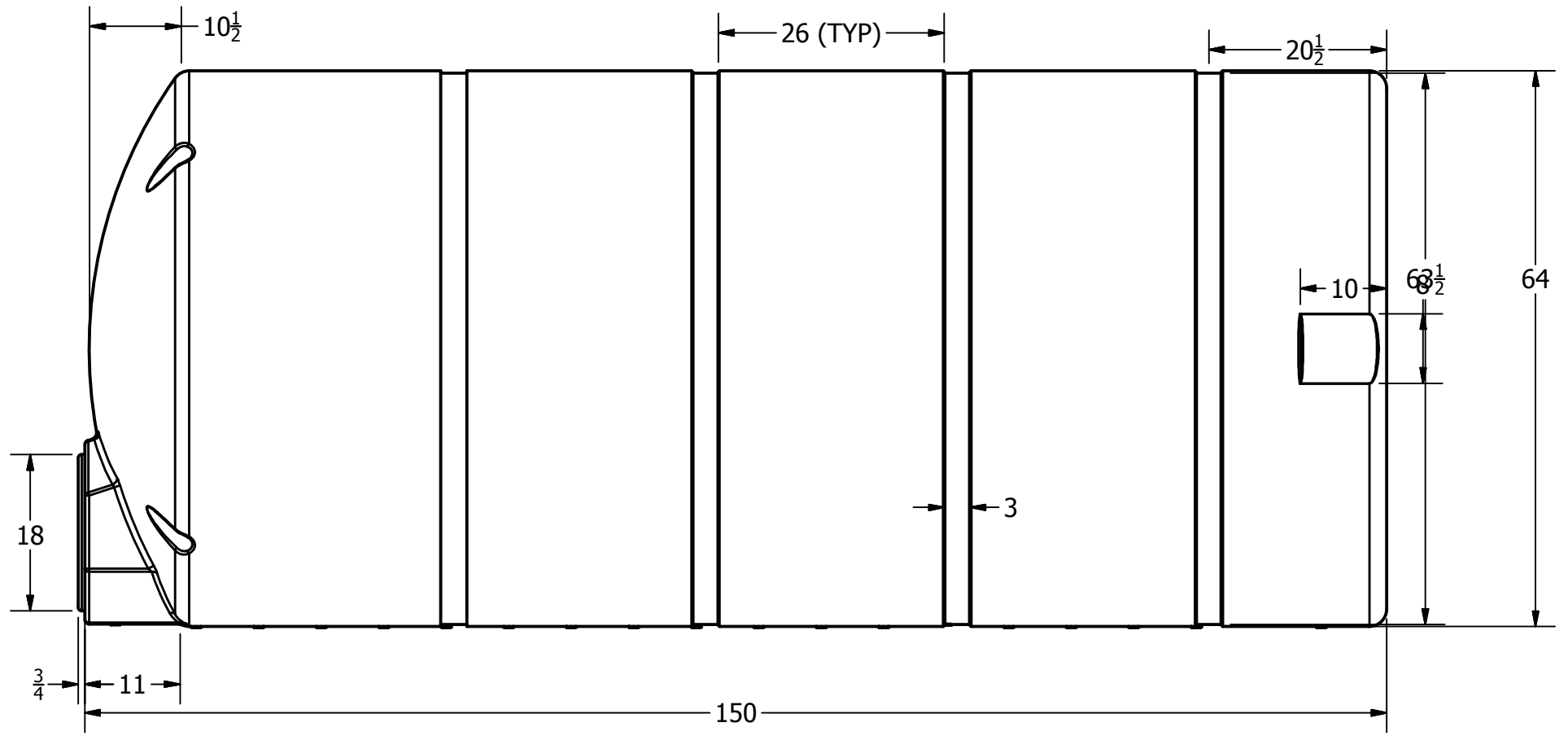
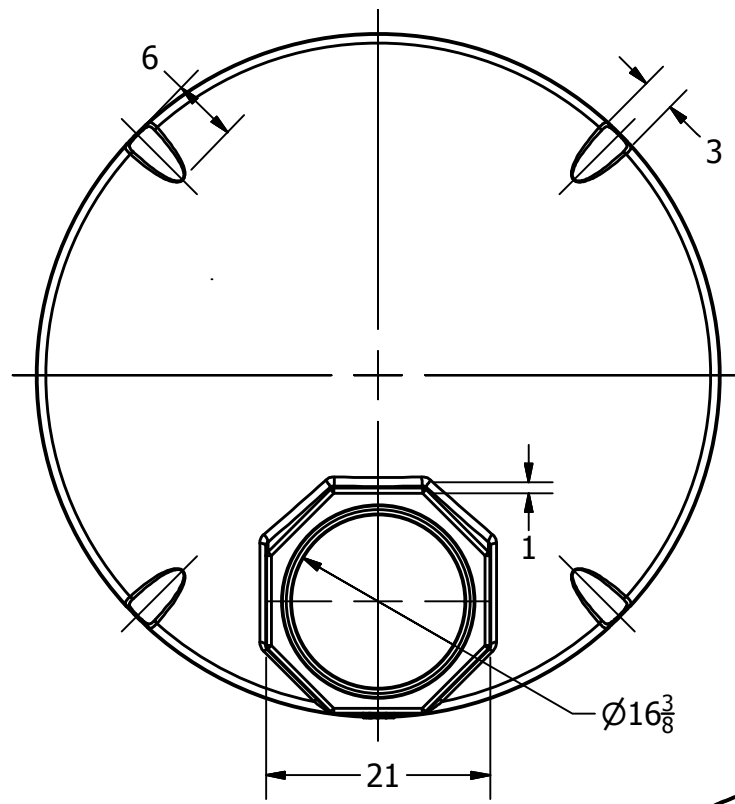



| REVISIONS | | | | |
|-----------|-----|-------------|------|----------|
| ZONE | REV | DESCRIPTION | DATE | APPROVED |
| | | | | |

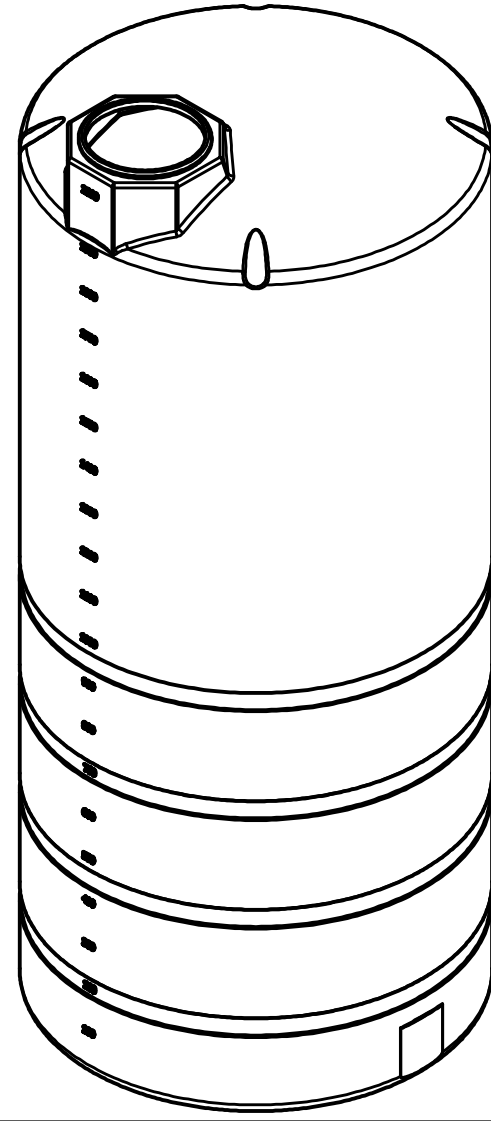
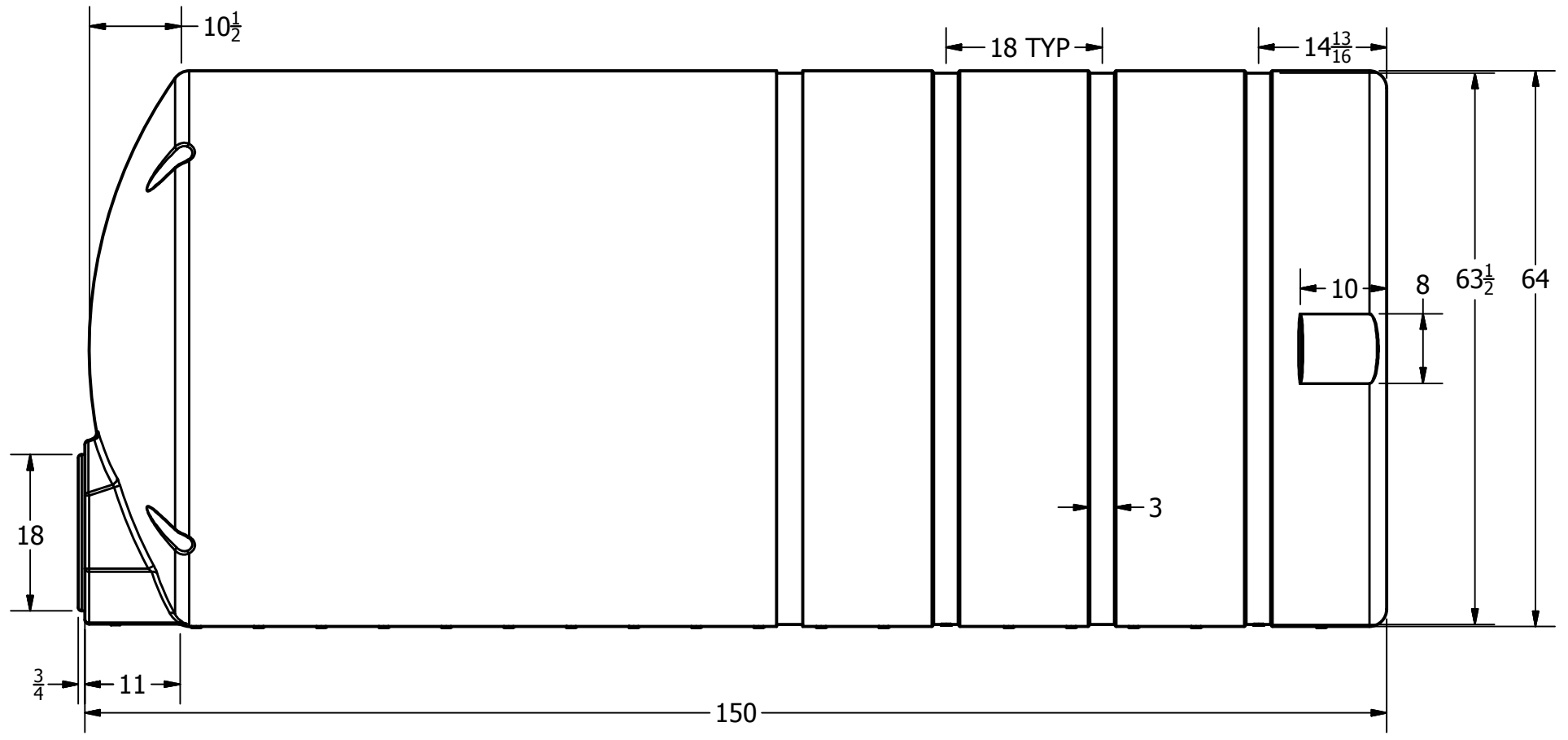
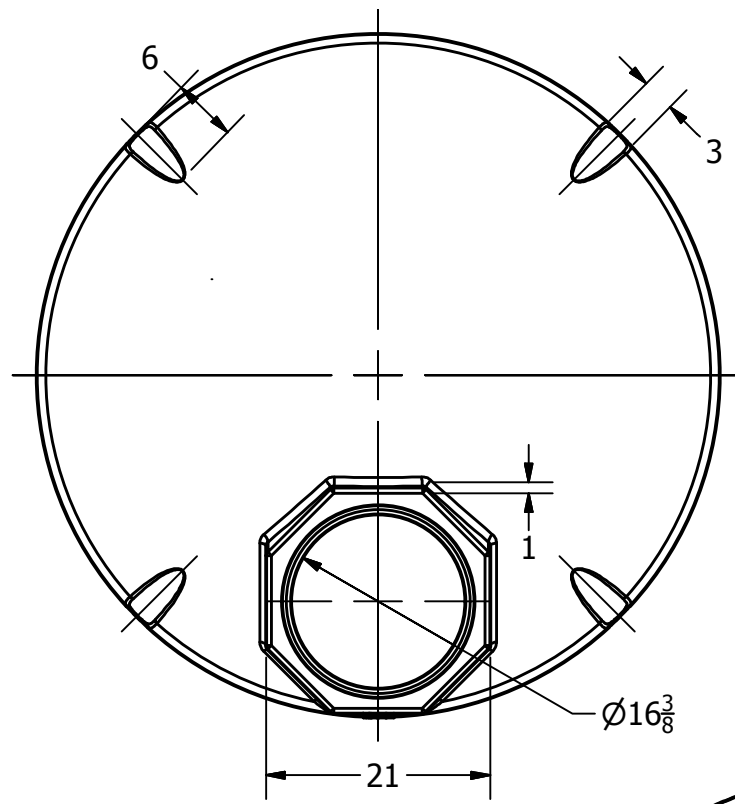


| | | | |
|-----------------------------------|---------|--------------------|------|
| | | ST. BONIFACIUS, MN | |
| 2000 GALLON VERTICAL STORAGE TANK | | DWG. NO. | |
| JTP | 12MAR01 | SCALE | 1/16 |
| B | SIZE | FORM NO. | REV |
| SHEET | | REV | |




FOB ST. BONIFACIUS, MN

| REVISION HISTORY | | | |
|------------------|---------------|------------|---|
| REV | DESCRIPTION | DATE | AUTHOR |
| A | REDRAWN | 10/28/2014 | Liv Oltean |
| DRAWN | Jerry Paulson | 5/10/1996 |  NORWESCO, INC. SAINT BONIFACIUS, MN TITLE 2000 GALLON VERTICAL STORAGE TANK |
| CHECKED | | | |
| QA | | | |
| MFG | | | |
| APPROVED | | | |
| | SIZE | DWG NO | REV |
| | B | | A |
| | SCALE: 1/16 | | SHEET 1 OF 1 |



FOB HANFORD, CA

| REVISION HISTORY | | | |
|------------------|---------------|-----------|--|
| REV | DESCRIPTION | DATE | AUTHOR |
| A | REDRAWN | 7/9/2013 | Michael Holden |
| DRAWN | Jerry Paulson | 5/10/1996 |  NORWESCO, INC. SAINT BONIFACIUS, MN TITLE 2000 GALLON VERTICAL STORAGE TANK |
| CHECKED | | | |
| QA | | | |
| MFG | | | |
| APPROVED | | | |
| | SIZE | DWG NO | REV |
| | B | | A |
| | SCALE: 1/16 | | SHEET 1 OF 1 |