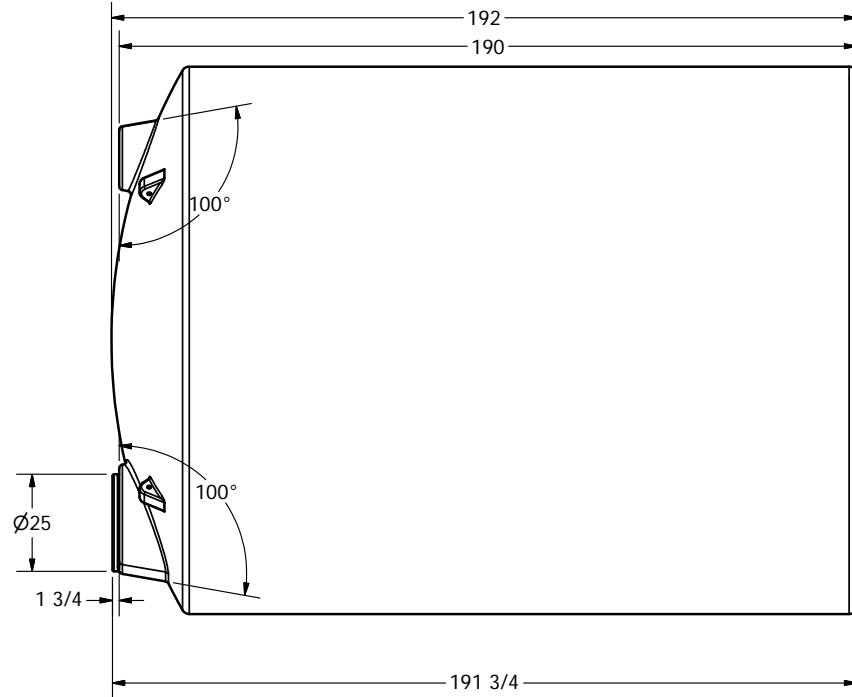
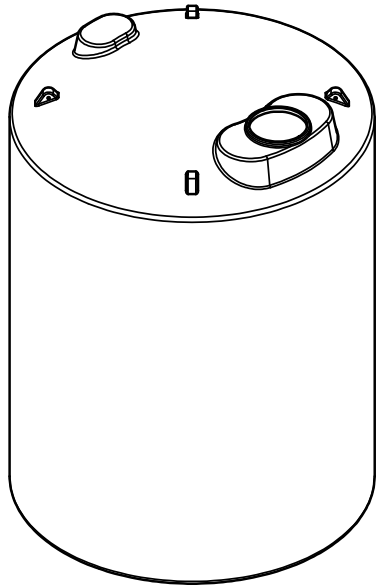
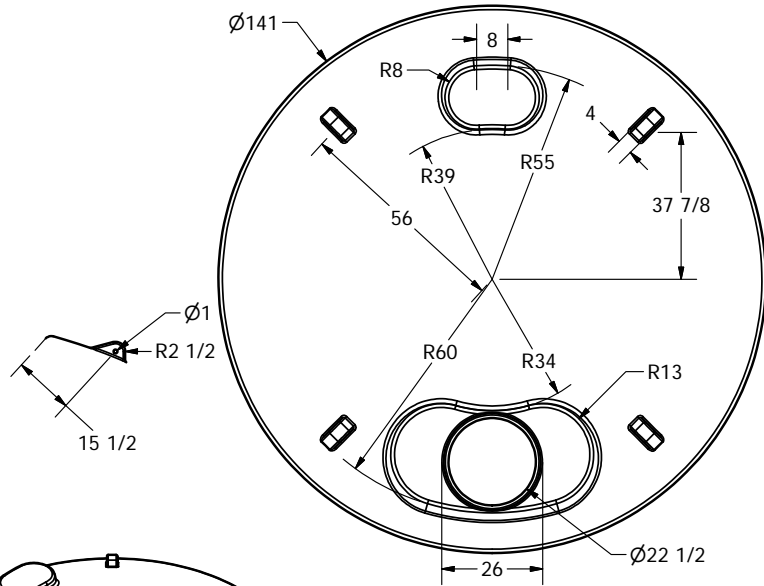



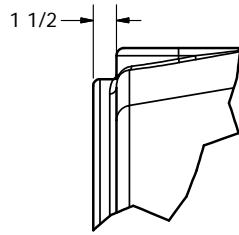
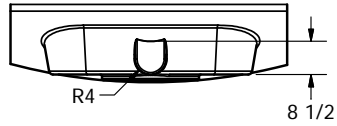
REV	DESCRIPTION	DATE	AUTHOR
A	LID REVISED TO 22"	3/5/2013	Jerry Paulson



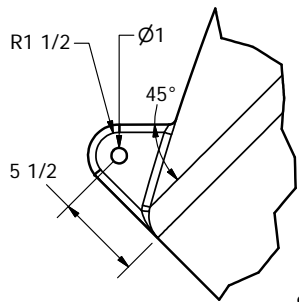
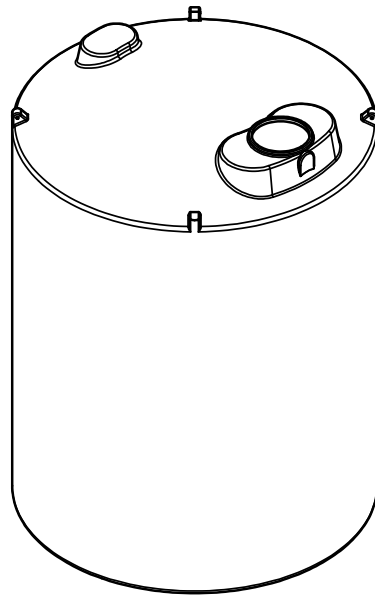
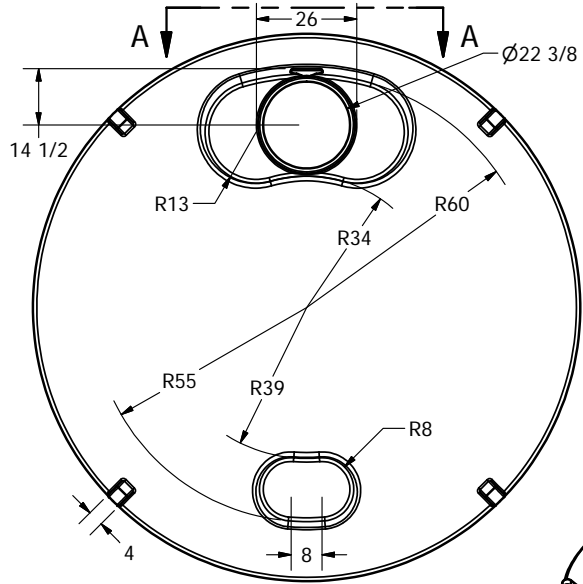
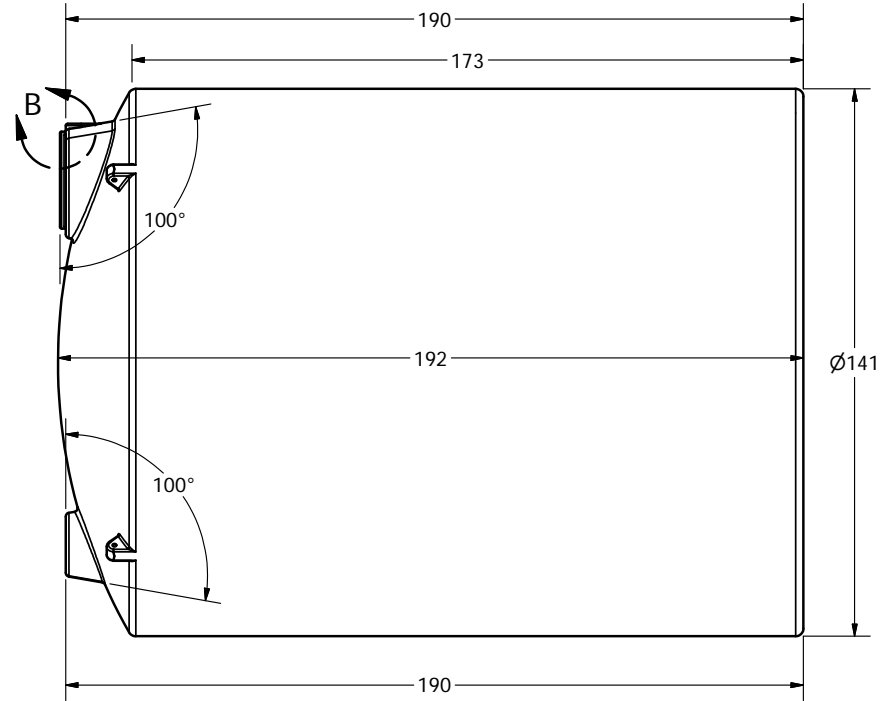
FOB:
WASHINGTON COURT HOUSE, OH
SAINT BONIFACIUS, MN

DRAWN Jerry Paulson	4/19/2011	 NORWESCO, INC., ST. BONIFACIUS, MN
CHECKED		
QA		TITLE
MFG		12,000 GALLON VERTICAL INDUSTRIAL TANK
APPROVED		
		SIZE B
		DWG NO
		REV A
SCALE: 1/16		SHEET 1 OF 1


VIEW A-A
SCALE 1/32

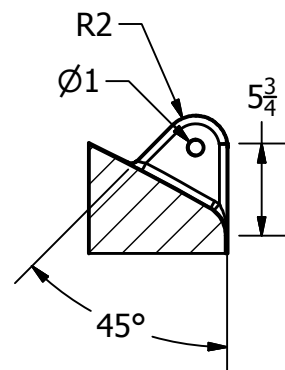
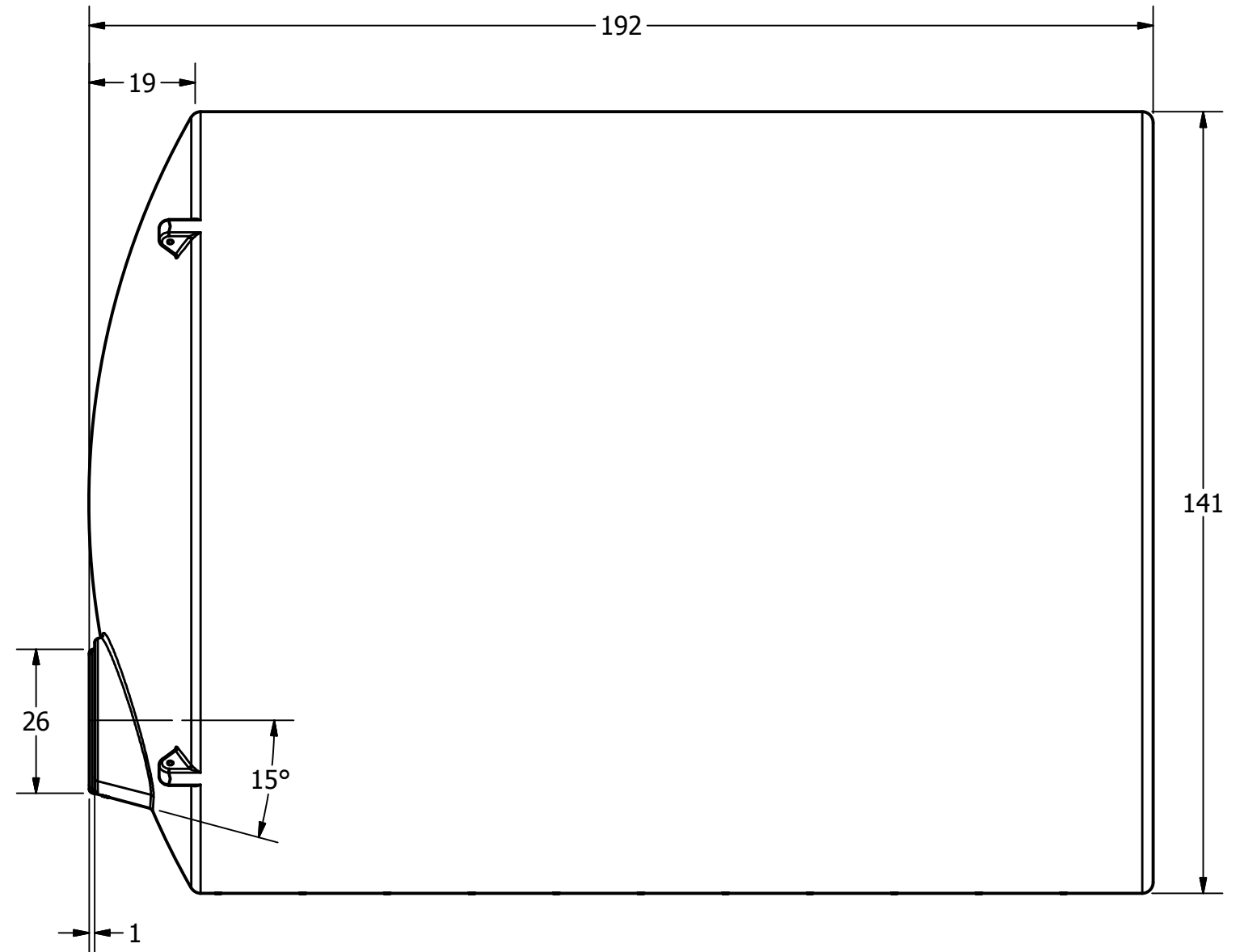
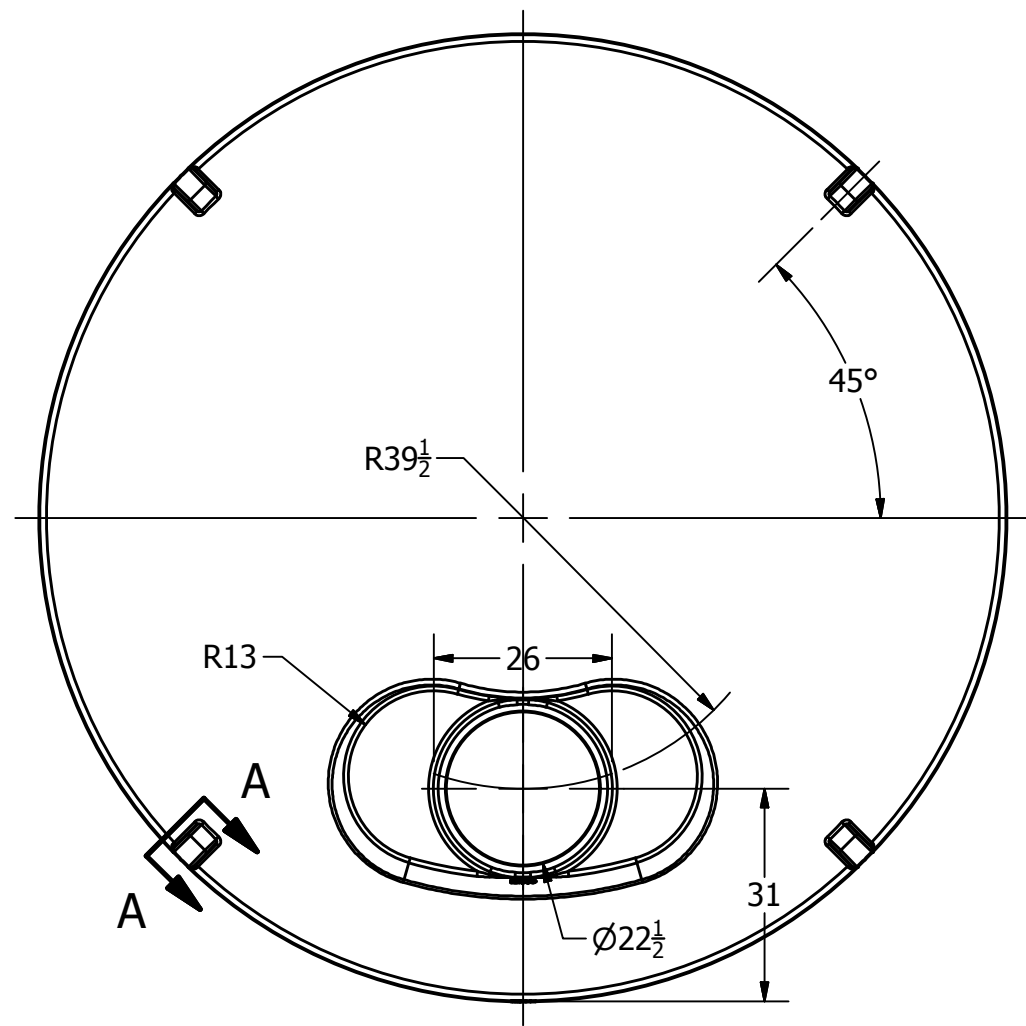


DETAIL B
SCALE 1 / 8




DETAIL D
SCALE 1 / 8

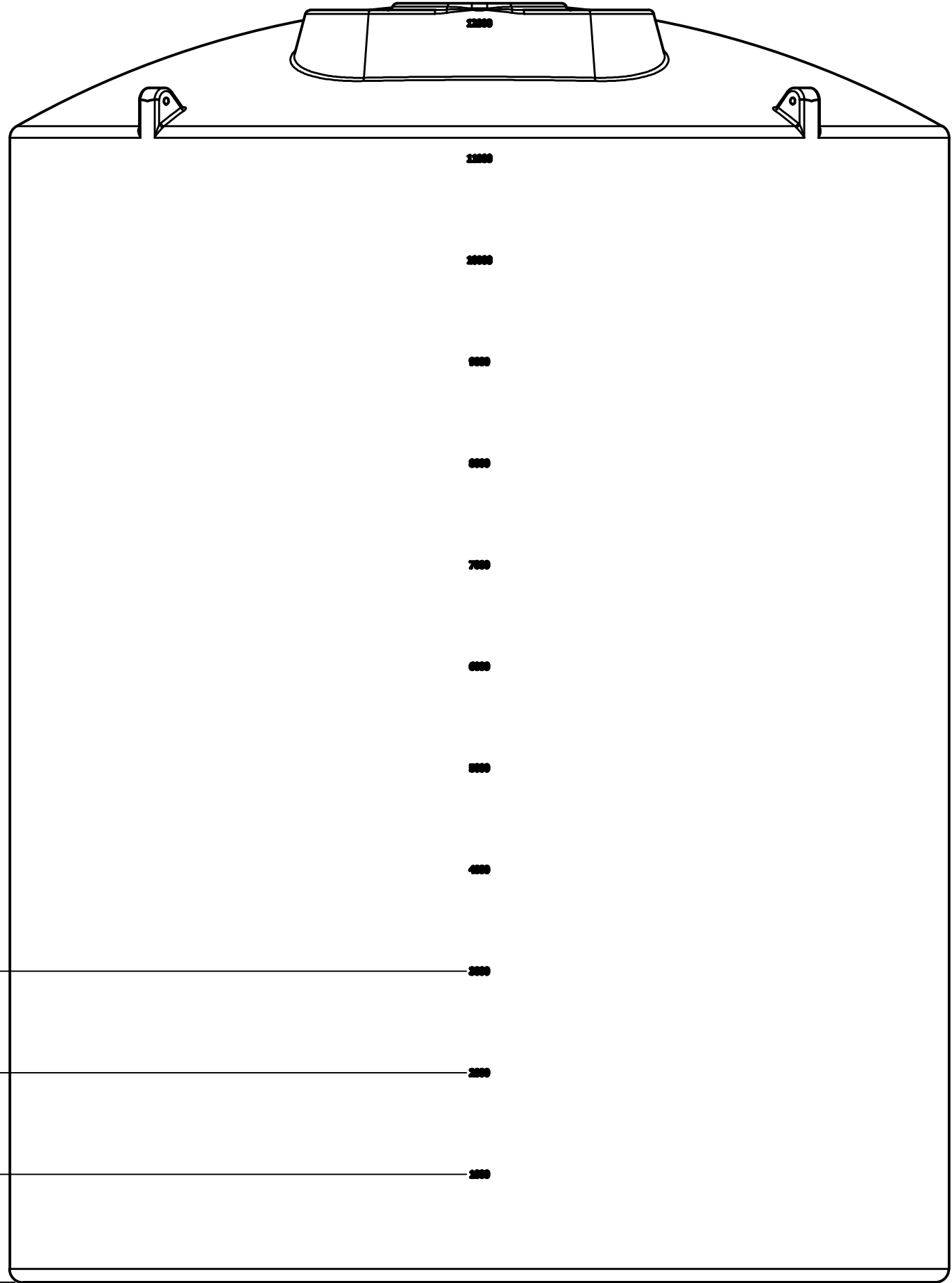
DRAWN Jerry Paulson	1/29/2014		
CHECKED		NORWESCO, INC. SAINT BONIFACIUS, MN	
QA		TITLE	
MFG		12,000 GALLON VERTICAL INDUSTRIAL TANK	
APPROVED		SIZE	DWG NO
		B	
		SCALE: 1/32	REV



SECTION A-A
SCALE 1:12


FOB HANFORD, CA

REVISION HISTORY				
REV	DESCRIPTION	DATE	AUTHOR	
A	REVISED FOR 22" LID	7/11/2013	Michael Holden	
DRAWN Jerry Paulson		4/28/1993	 NORWESCO, INC. SAINT BONIFACIUS, MN TITLE 12000 GALLON VERTICAL TANK	
CHECKED				
QA				
MFG				
APPROVED				
		SIZE B	DWG NO	REV A
		SCALE: 1/16	SHEET 1 OF 2	



15 1/4

16 1/4

DRAWN Jerry Paulson	4/28/1993			
CHECKED		NORWESCO, INC. SAINT BONIFACIUS, MN		
QA		TITLE		
MFG		12000 GALLON VERTICAL TANK		
APPROVED				
		SIZE B	DWG NO	REV A
		SCALE: 1/16	SHEET 2 OF 2	