
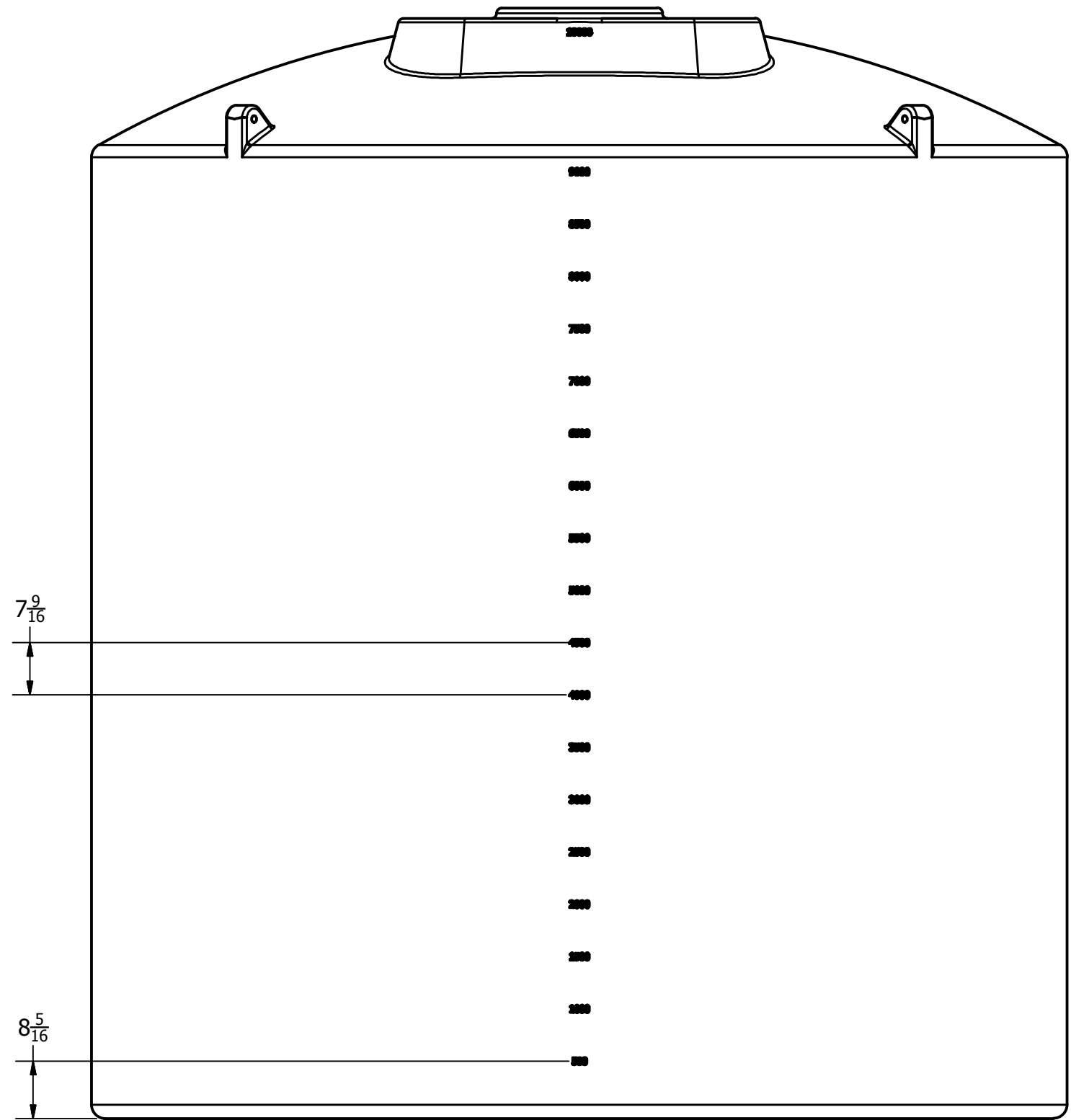



SECTION A-A
SCALE 1:12

FOB HANFORD, CA

REVISION HISTORY				
REV	DESCRIPTION	DATE	AUTHOR	
A	REDRAWN	6/28/2013	Michael Holden	
DRAWN Jerry Paulson		2/23/2001	 NORWESCO, INC. SAINT BONIFACIUS, MN TITLE 10000 GALLON VERTICAL TANK	
CHECKED				
QA				
MFG				
APPROVED				
		SIZE B	DWG NO	REV A
		SCALE: 1/16	SHEET 1 OF 2	



DRAWN Jerry Paulson	2/23/2001	 NORWESCO, INC. SAINT BONIFACIUS, MN		
CHECKED		TITLE		
QA		10000 GALLON VERTICAL TANK		
MFG				
APPROVED				
		SIZE B	DWG NO	REV A
		SCALE: 1/16	SHEET 2 OF 2	