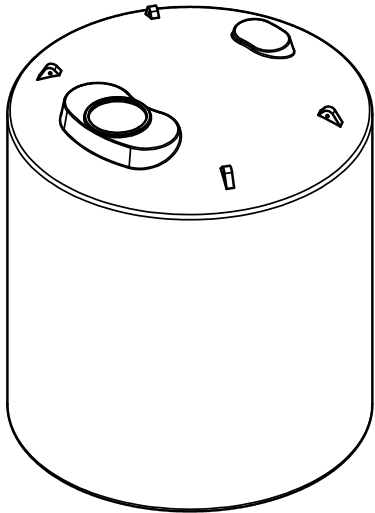
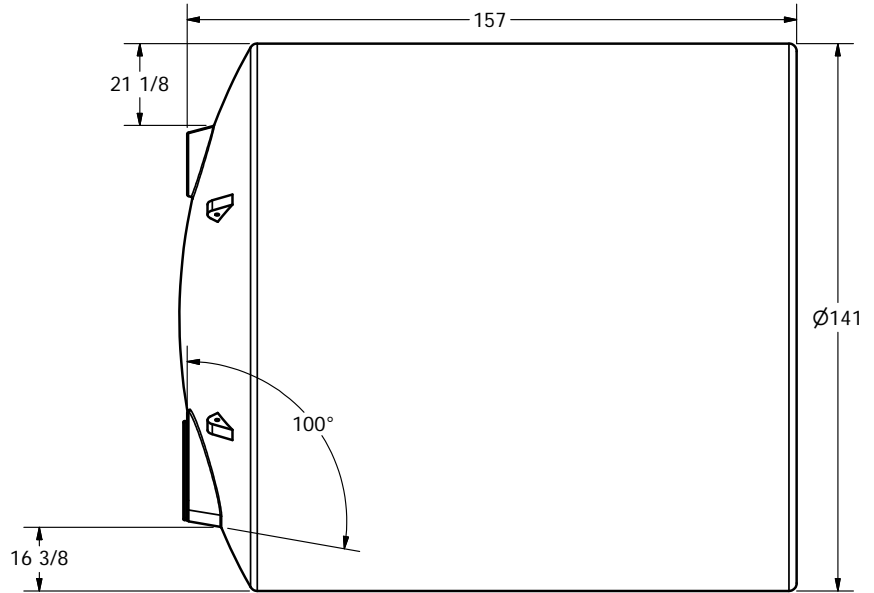
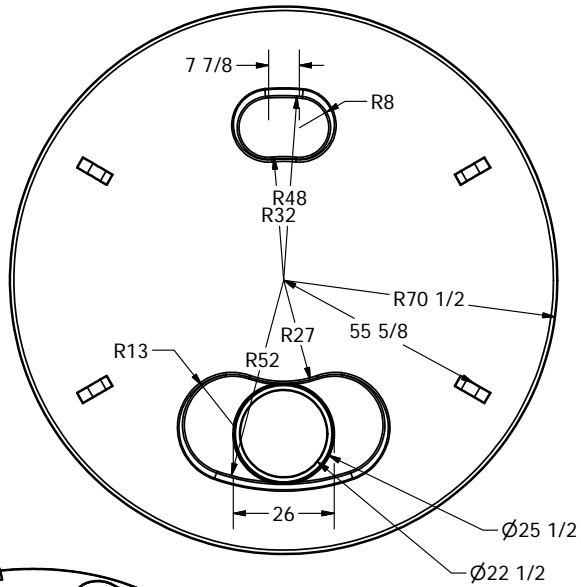



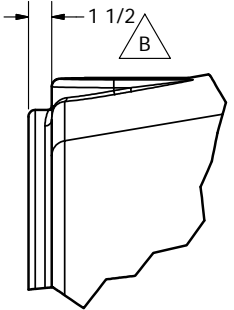
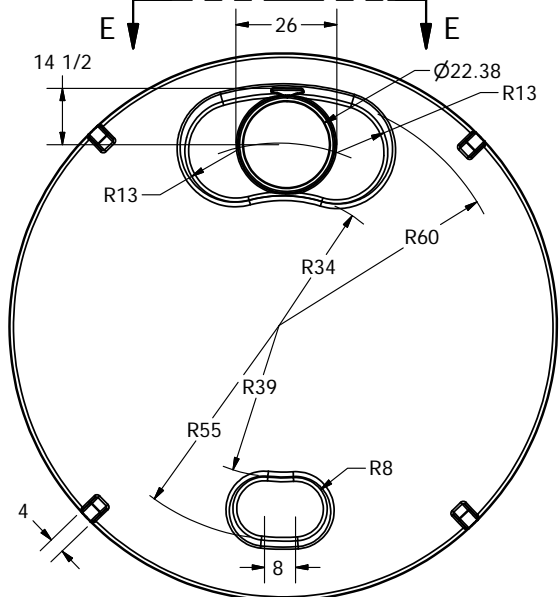
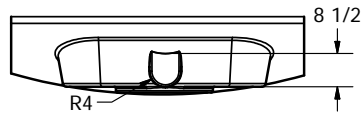
REV	DESCRIPTION	AUTHOR	DATE
A	REVISED FOR 22" LID	Jerry Paulson	29JAN2014



FOB ST BONIFACIUS, MN

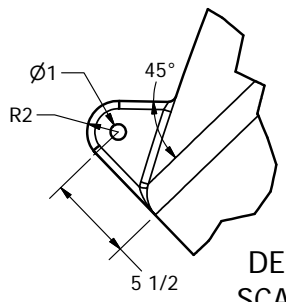
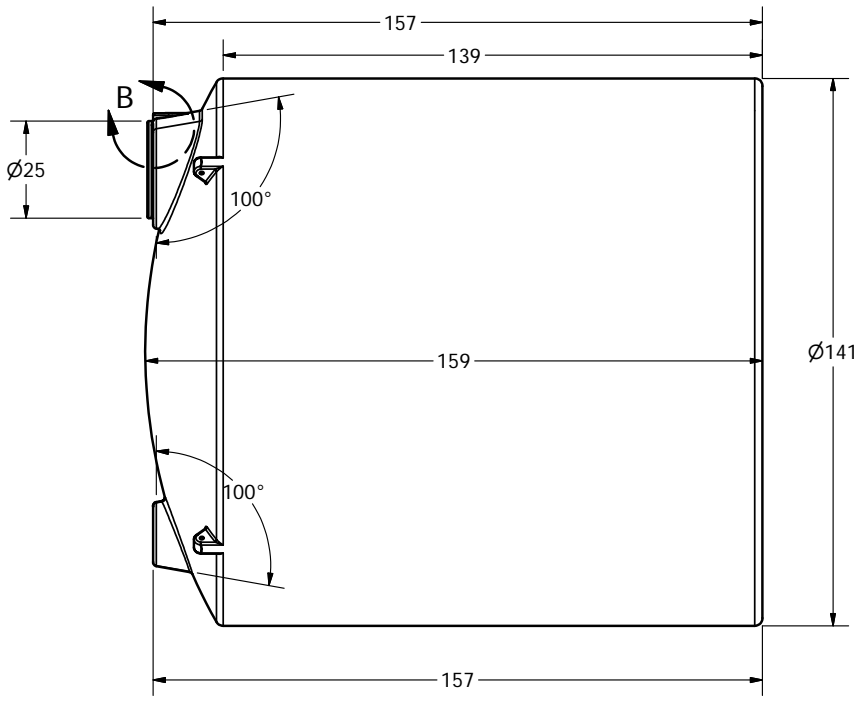
DRAWN Jerry Paulson	10/28/2008	 <b>NORWESCO</b> NORWESCO, INC., ST. BONIFACIUS, MN		
CHECKED				
QA		TITLE		
MFG		10,000 GALLON VERTICAL TANK		
APPROVED				
		SIZE B	DWG NO	REV A
		SCALE: 1/32	SHEET 1 OF 1	

VIEW E-E  
SCALE 1/32

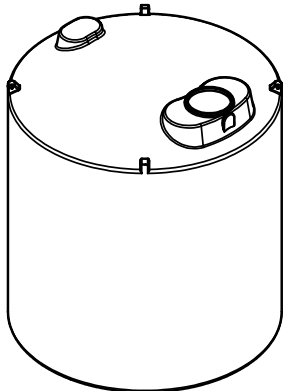


DETAIL B  
SCALE 1 / 8

REVISION HISTORY			
REV	AUTHOR	DESCRIPTION	DATE
A	Jerry Paulson	Removed Washington Court House	01/28/2010
B	Jerry Paulson	Added Fitting Flat at Manway	01MAR2012
C	Jerry Paulson	REVISED LID TO 22", P/N was 40545	18APR2013



DETAIL A  
SCALE 1 / 8



FOB FAIRFIELD, TX



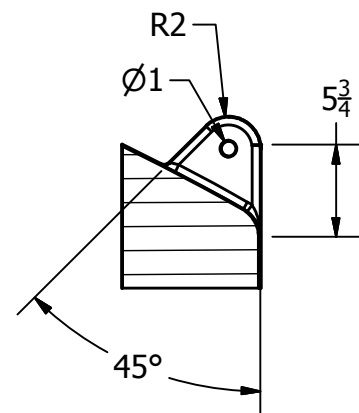
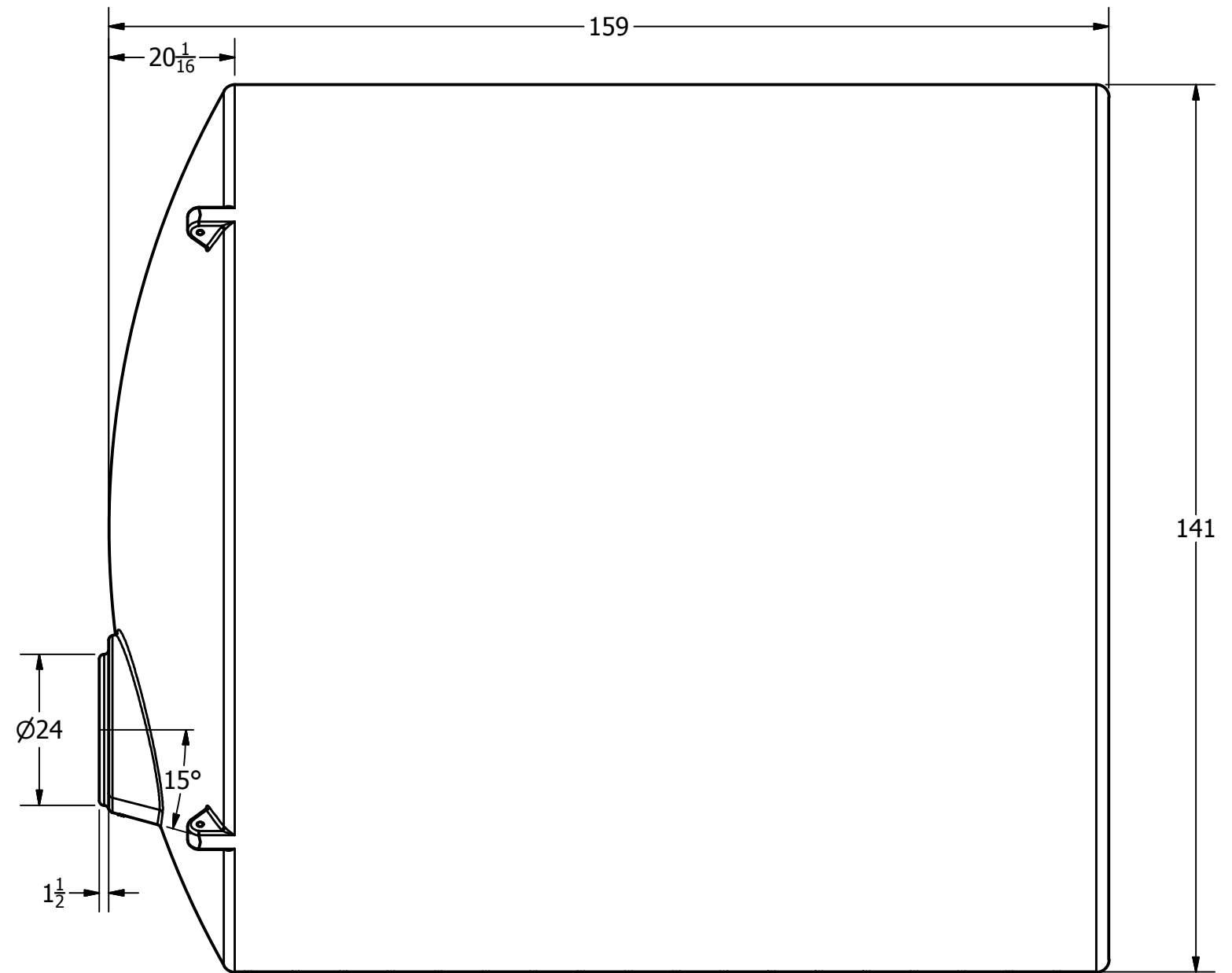
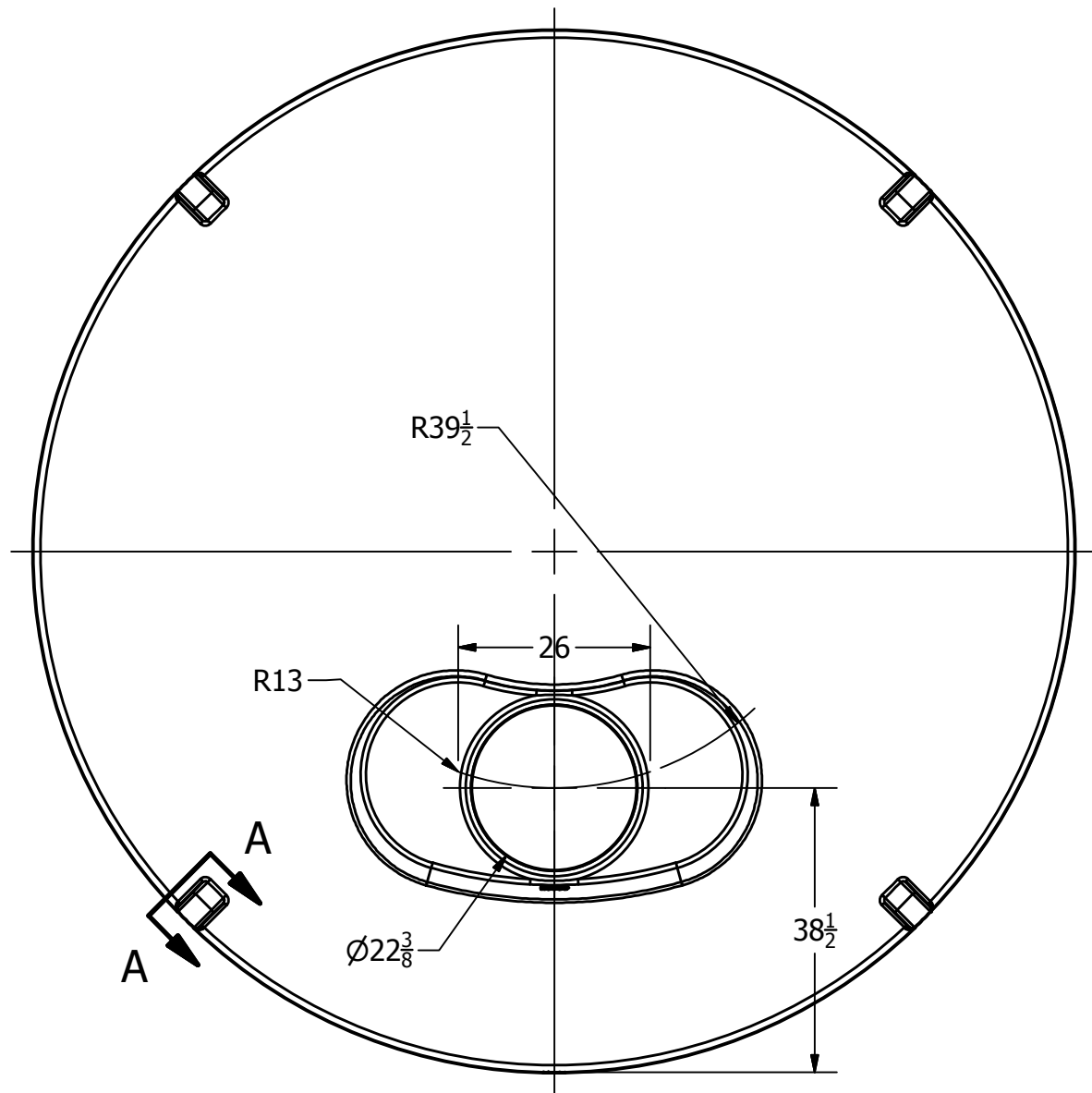
DRAWN	Jerry Paulson	10/3/2006
CHECKED		
QA		
MFG		
APPROVED		

**NORWESCO**  
NORWESCO, INC., ST. BONIFACIUS, MN

TITLE  
**10,000 GALLON VERTICAL INDUSTRIAL TANK**


SIZE <b>B</b>	DWG NO	REV <b>C</b>
------------------	--------	-----------------

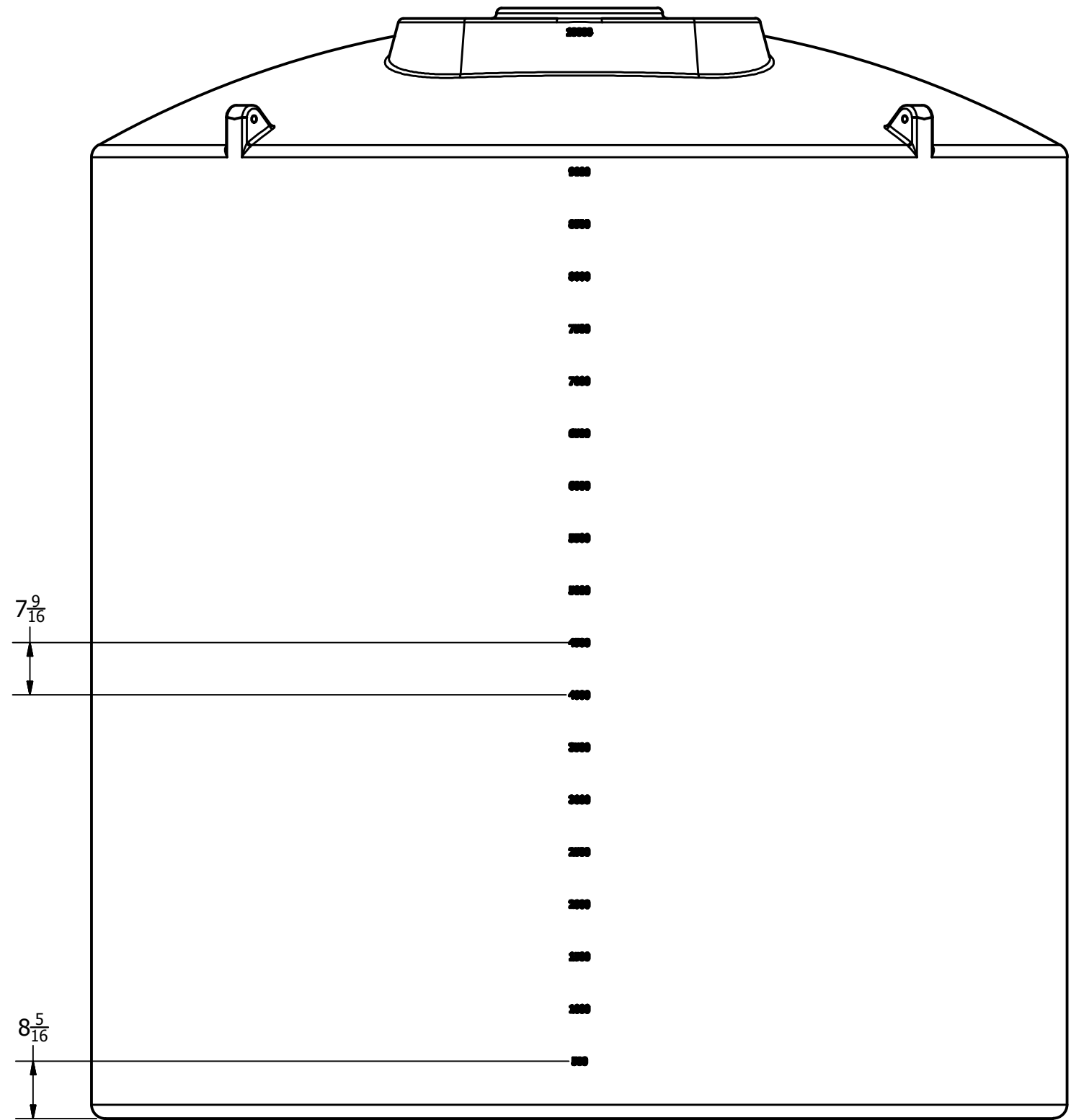
SCALE: 1/32




SECTION A-A  
SCALE 1:12

FOB HANFORD, CA

REVISION HISTORY			
REV	DESCRIPTION	DATE	AUTHOR
A	REDRAWN	6/28/2013	Michael Holden
DRAWN	Jerry Paulson	2/23/2001	 NORWESCO, INC. SAINT BONIFACIUS, MN TITLE <b>10000 GALLON VERTICAL TANK</b>
CHECKED			
QA			
MFG			
APPROVED			
	SIZE	DWG NO	REV
	B		A
	SCALE: 1/16		SHEET 1 OF 2



DRAWN Jerry Paulson CHECKED	2/23/2001	 NORWESCO, INC. SAINT BONIFACIUS, MN TITLE		
QA		10000 GALLON VERTICAL TANK		
MFG				
APPROVED				
		SIZE <b>B</b>	DWG NO	REV A
		SCALE: 1/16	SHEET 2 OF 2	