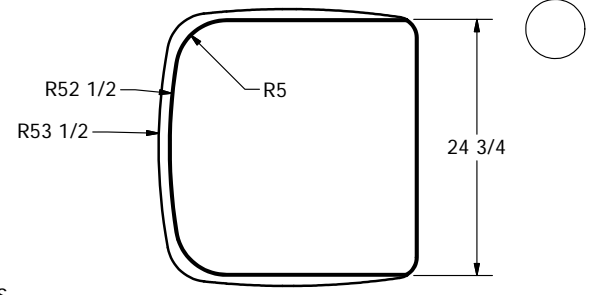
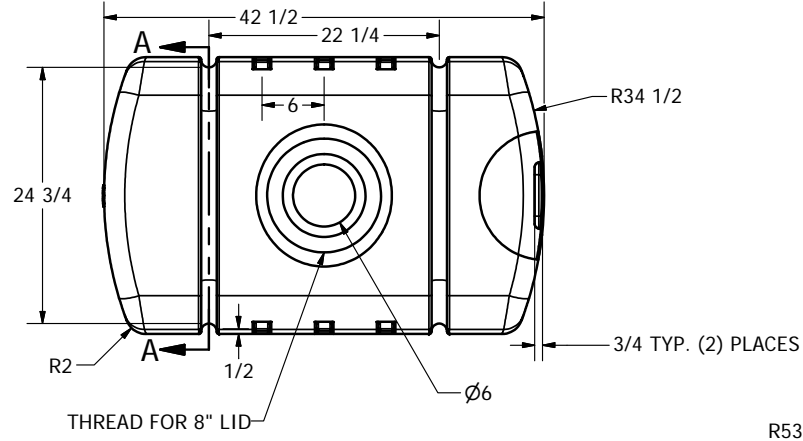
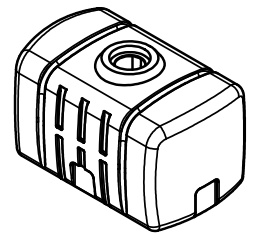
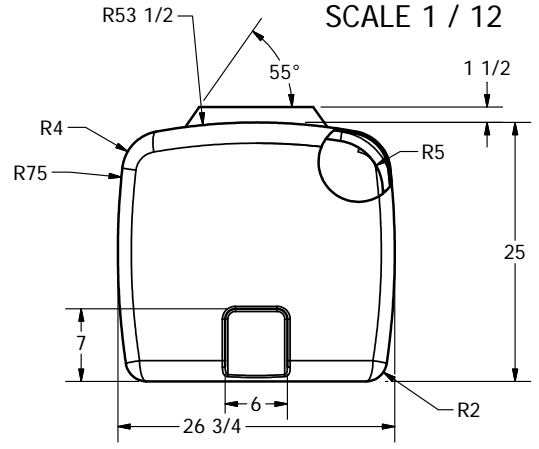
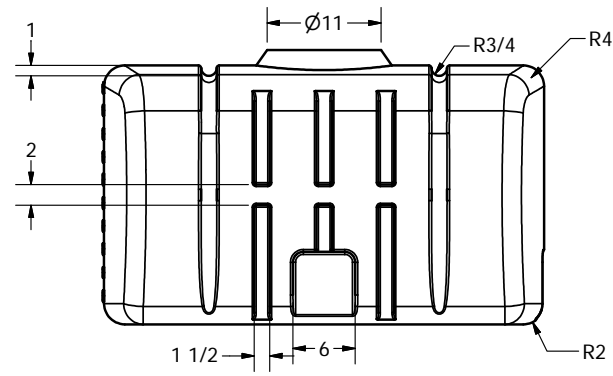
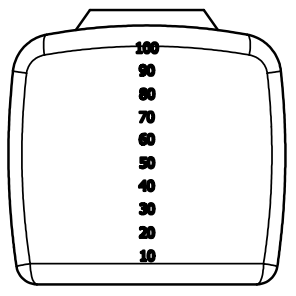



REVISION HISTORY			
REV	DATE	AUTH	DESCRIPTION
		Jerry Paulson	



SECTION A-A
SCALE 1 / 12



DRAWN Jerry Paulson	7/19/2006		
CHECKED		NORWESCO, INC., ST. BONIFACIUS, MN	
QA		TITLE	
MFG		100 GALLON FLAT BOTTOM UTILITY TANK	
APPROVED		SIZE B	REV
		DWG NO	
		SCALE: 1/12	SHEET 1 OF 1