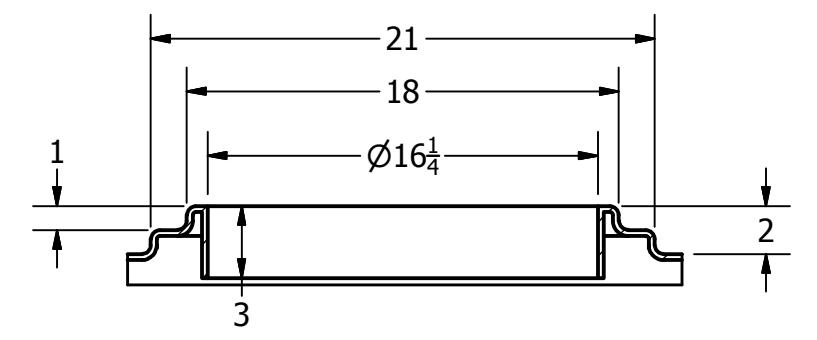
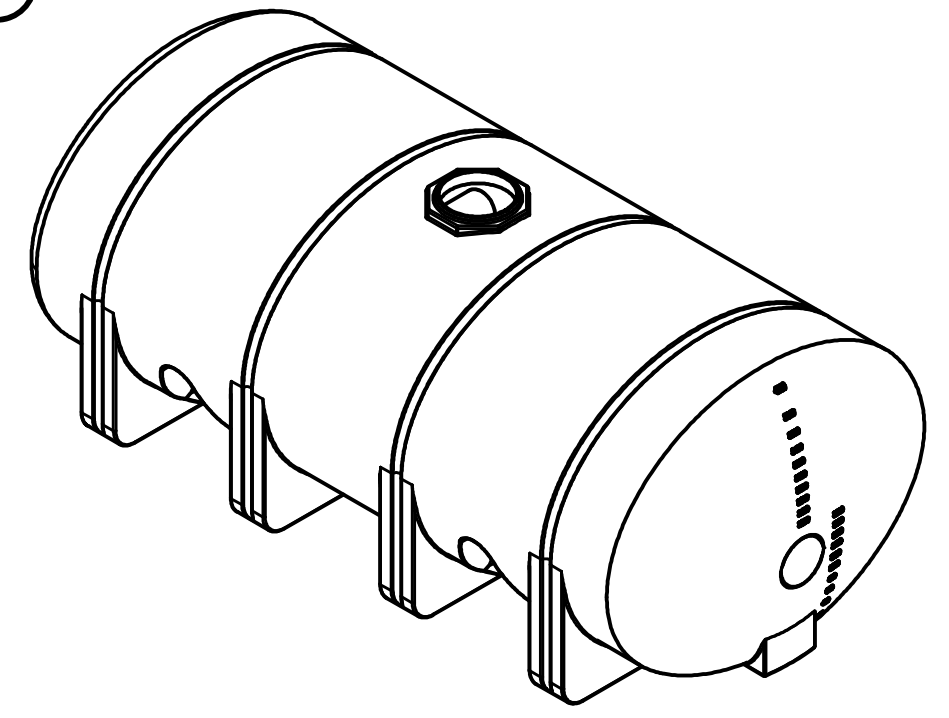



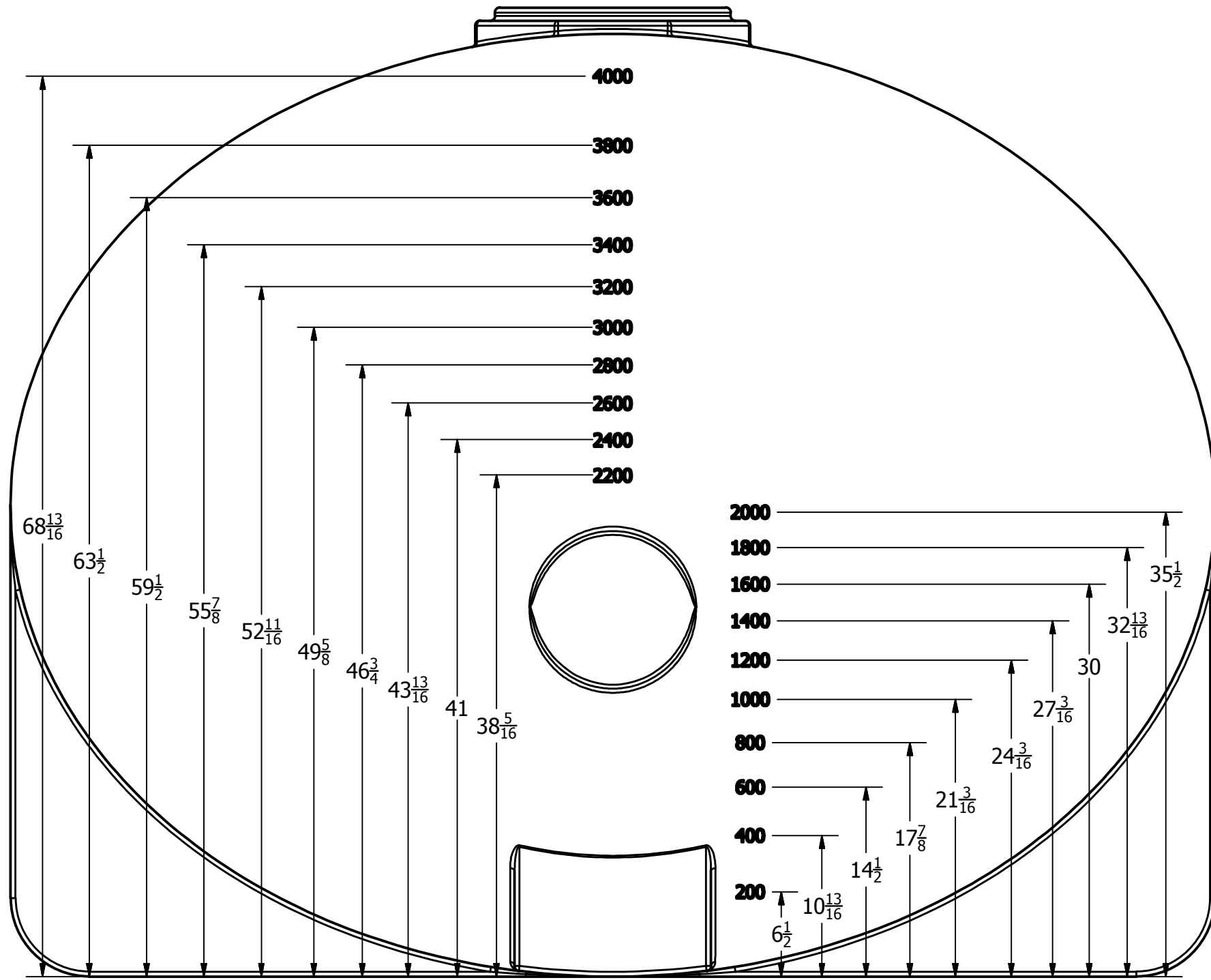
SECTION B-B
SCALE 1:30




SECTION A-A
SCALE 1:8



| REVISION HISTORY | | | |
|------------------------|-------------|--------------|---|
| REV | DESCRIPTION | DATE | AUTHOR |
| A | REDRAWN | 8/6/2013 | Michael Holden |
| DRAWN Jerry Paulson | | 5/6/1999 |  NORWESCO, INC. SAINT BONIFACIUS, MN TITLE 4035 GALLON ELLIPTICAL LEG TANK |
| CHECKED | | | |
| QA | | | |
| MFG | | | |
| APPROVED | | | |
| SIZE B | | DWG NO | REV A |
| SCALE: 1/16 | | SHEET 1 OF 2 | |



| | | | | |
|------------------------|----------|---|--------------|-----------------|
| DRAWN Jerry Paulson | 5/6/1999 |  NORWESCO, INC. SAINT BONIFACIUS, MN TITLE | | |
| CHECKED | | 4035 GALLON ELLIPTICAL LEG TANK | | |
| QA | | | | |
| MFG | | | | |
| APPROVED | | | | |
| | | SIZE B | DWG NO | REV A |
| | | SCALE: 1/16 | SHEET 2 OF 2 | |