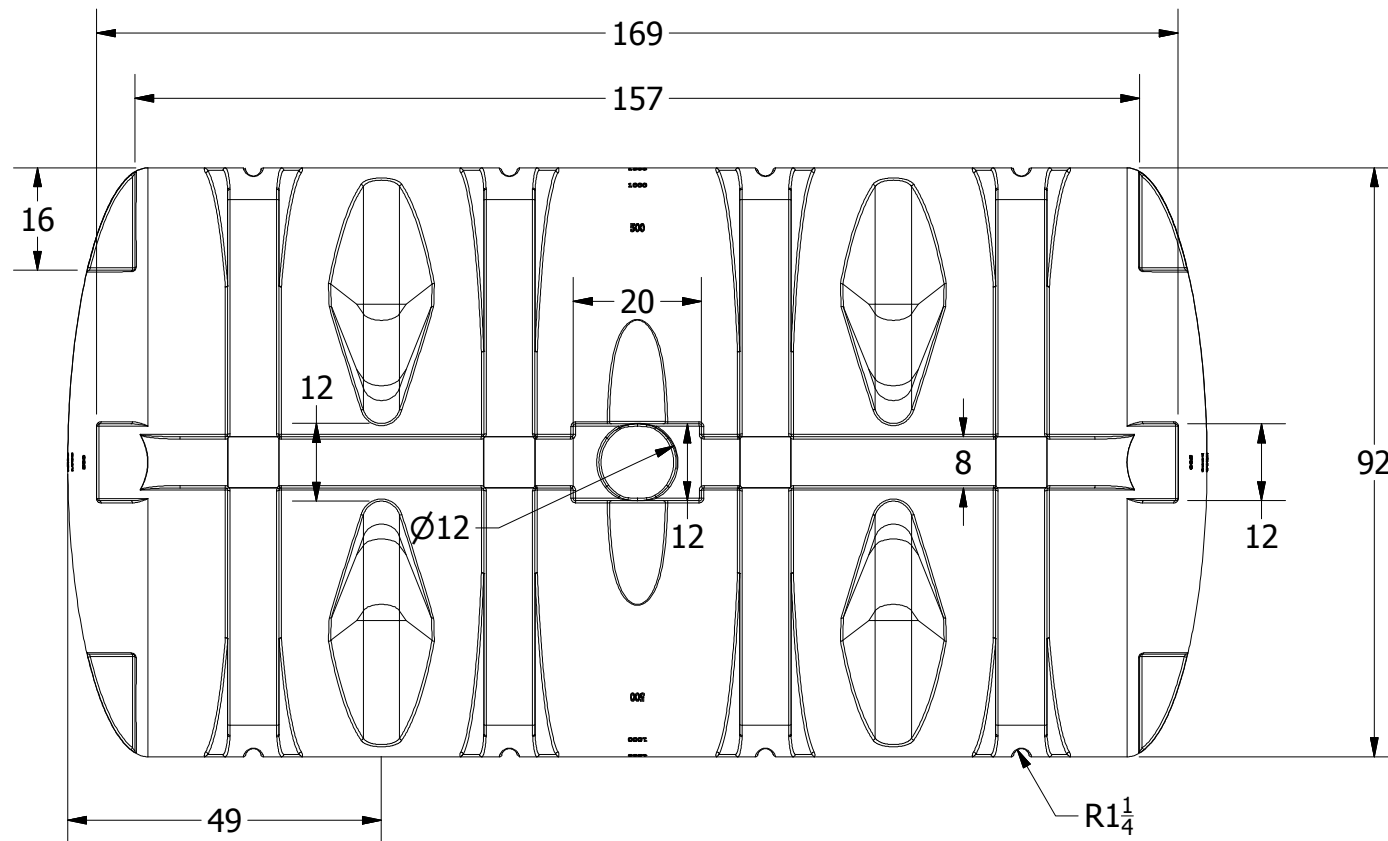
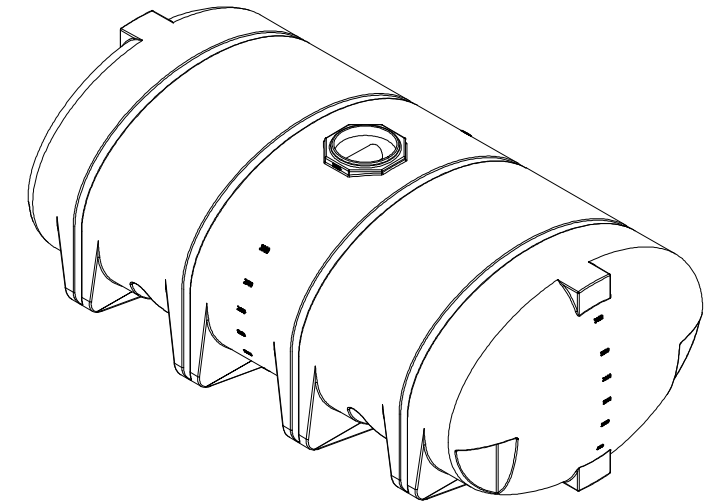

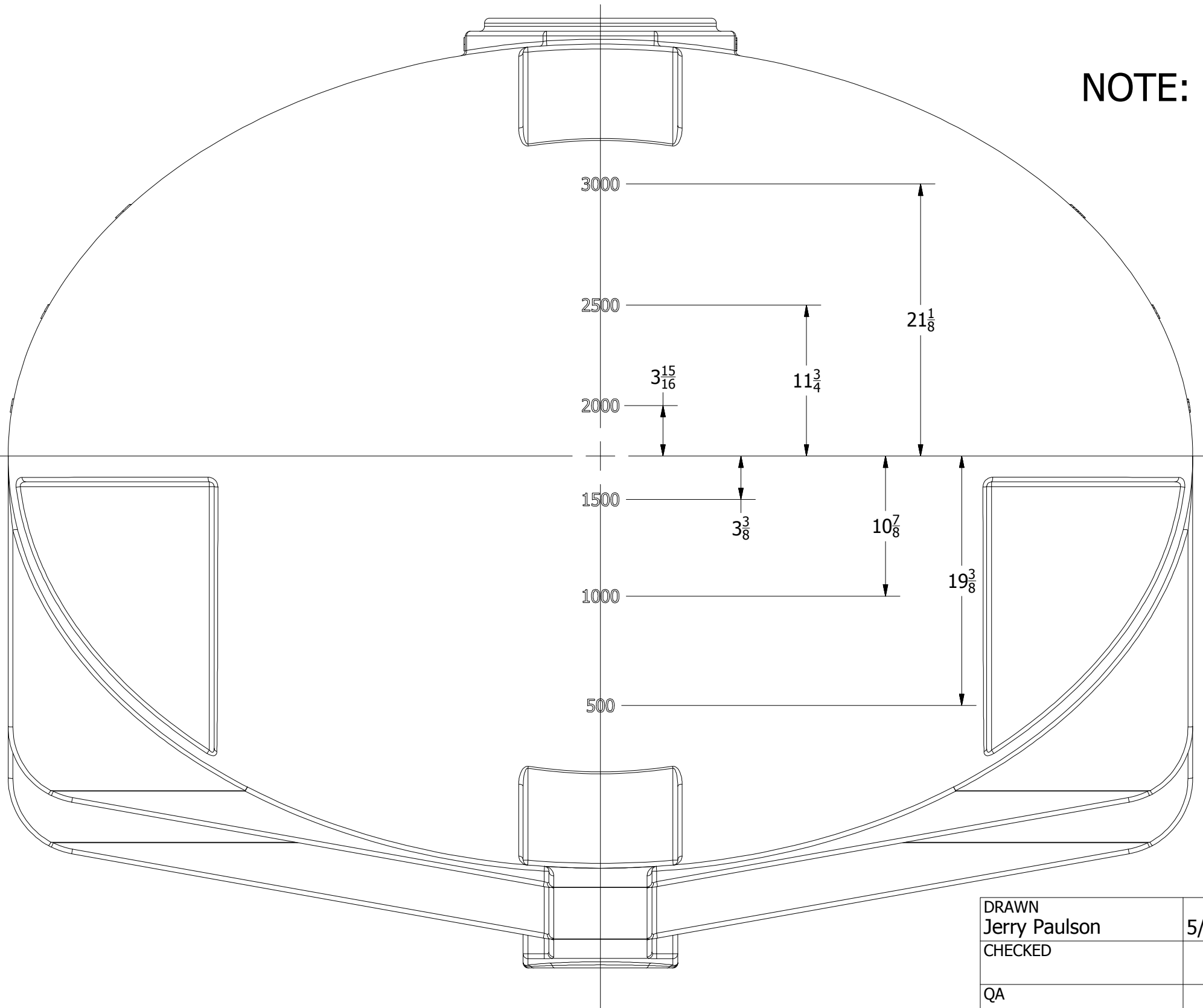


SECTION A-A  
SCALE 1:8




REVISION HISTORY			
REV	DESCRIPTION	DATE	AUTHOR
A	REDRAWN	7/30/2013	Michael Holden
DRAWN Jerry Paulson		5/7/1999	 NORWESCO, INC. SAINT BONIFACIUS, MN TITLE <b>3210 GALLON ELLIPTICAL DRAINABLE LEG TANK</b>
CHECKED			
QA			
MFG			
APPROVED			
SIZE <b>B</b>		DWG NO	REV <b>A</b>
SCALE: 1/16		SHEET 1 OF 2	

NOTE: GALLON MARKINGS ARE ON BOTH ENDS AND BOTH SIDES



DRAWN Jerry Paulson	5/7/1999
CHECKED	
QA	
MFG	
APPROVED	

	
NORWESCO, INC. SAINT BONIFACIUS, MN TITLE	
<b>3210 GALLON ELLIPTICAL DRAINABLE LEG TANK</b>	
SIZE <b>B</b>	DWG NO
SCALE: 1/16	SHEET 2 OF 2

REV  
A