
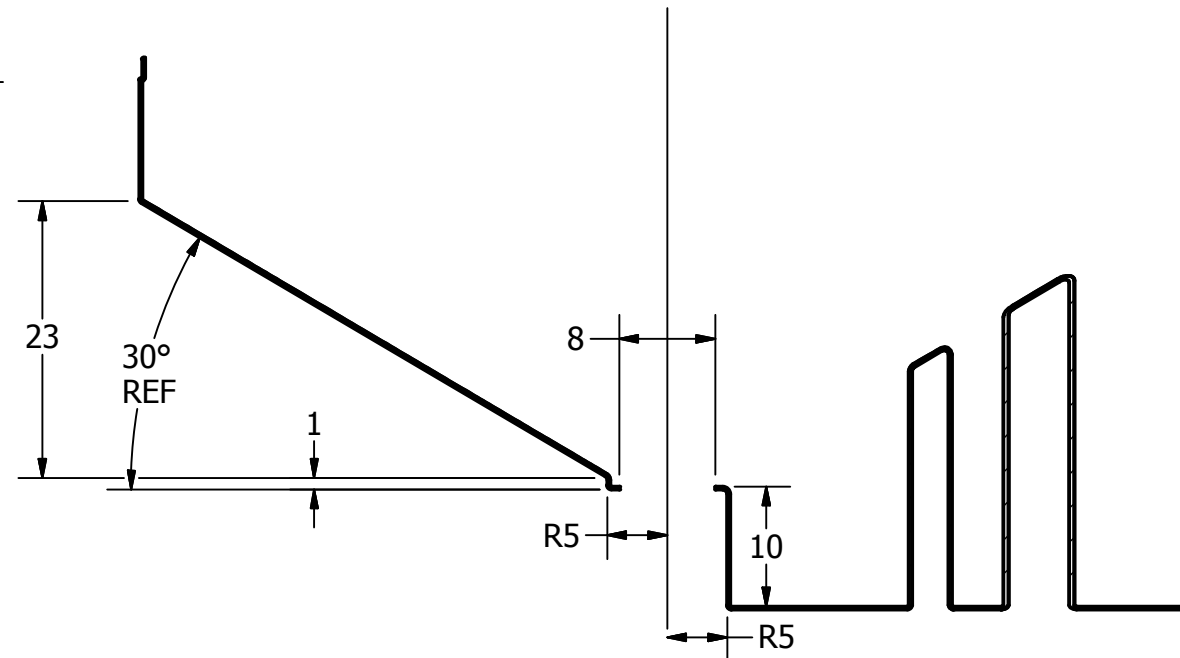
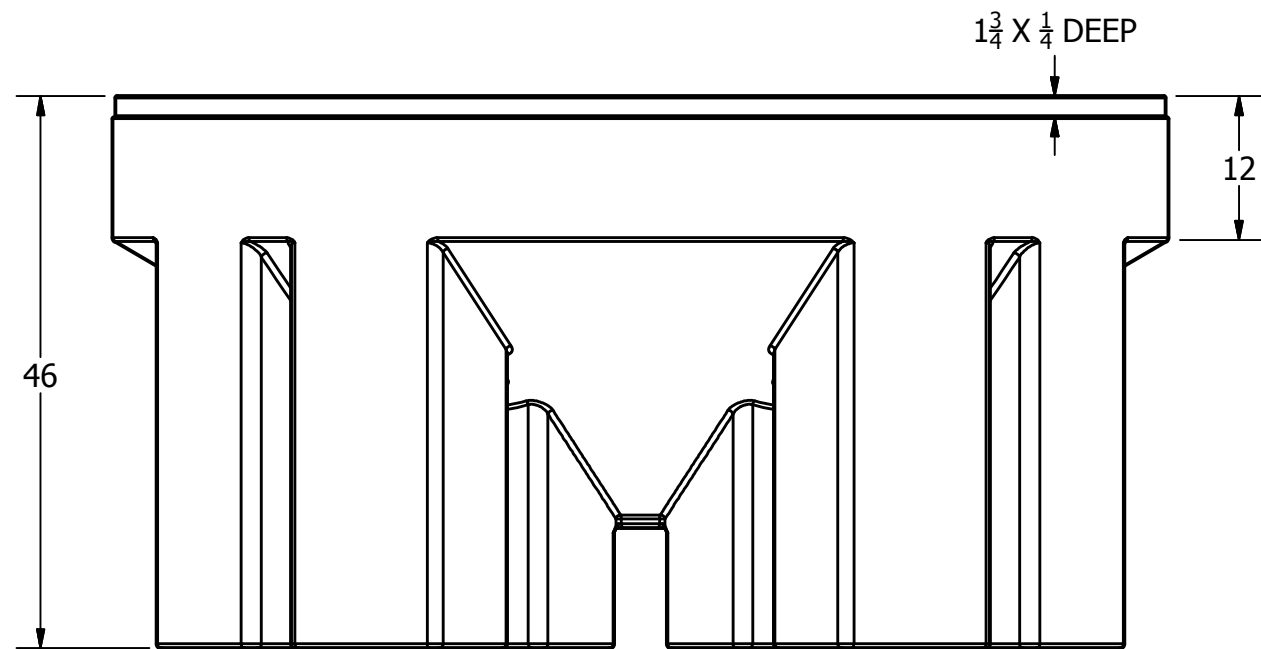
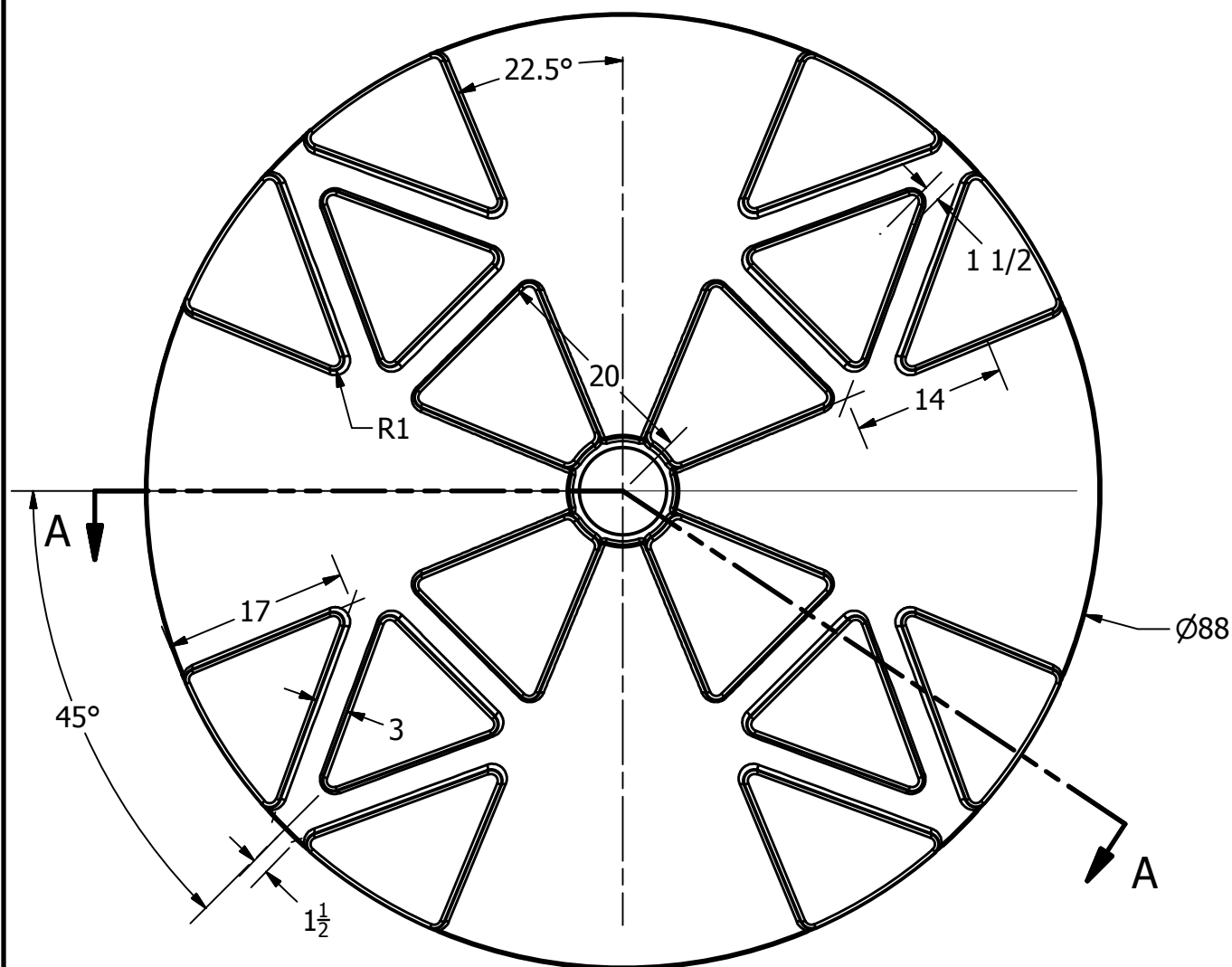
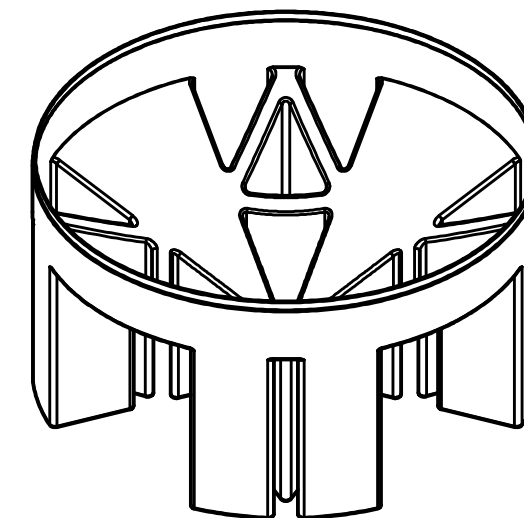


REVISION HISTORY				
REV	DESCRIPTION	DATE	AUTHOR	
A	REDRAWN	10/20/1997		
B	REDRAWN	7/23/2013	Michael Holden	
DRAWN Jerry Paulson		5/13/1997	 NORWESCO, INC. SAINT BONIFACIUS, MN TITLE 1600 GALLON CONE BOTTOM TANK	
CHECKED				
QA				
MFG				
APPROVED				
		SIZE B	DWG NO	REV B
		SCALE: 1/16	SHEET 1 OF 1	



SECTION A-A
SCALE 1:16



REVISION HISTORY

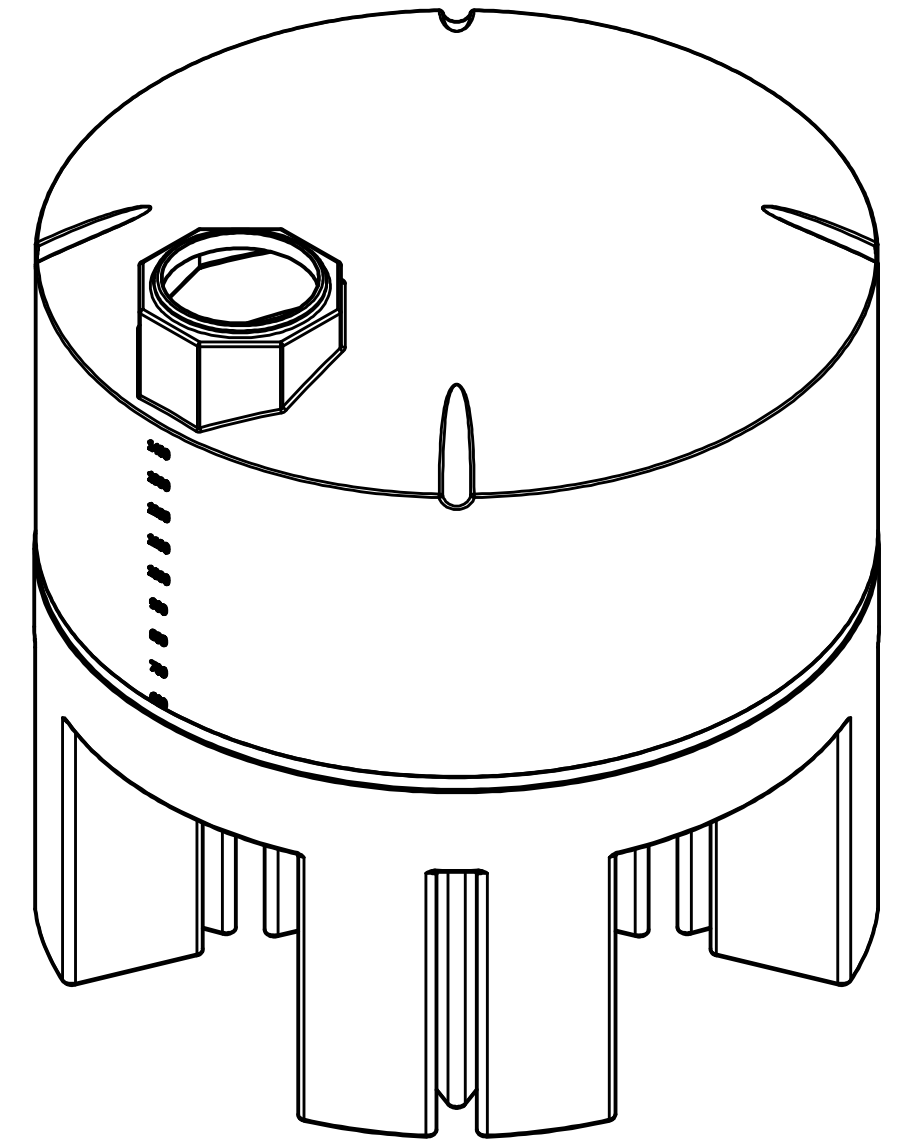
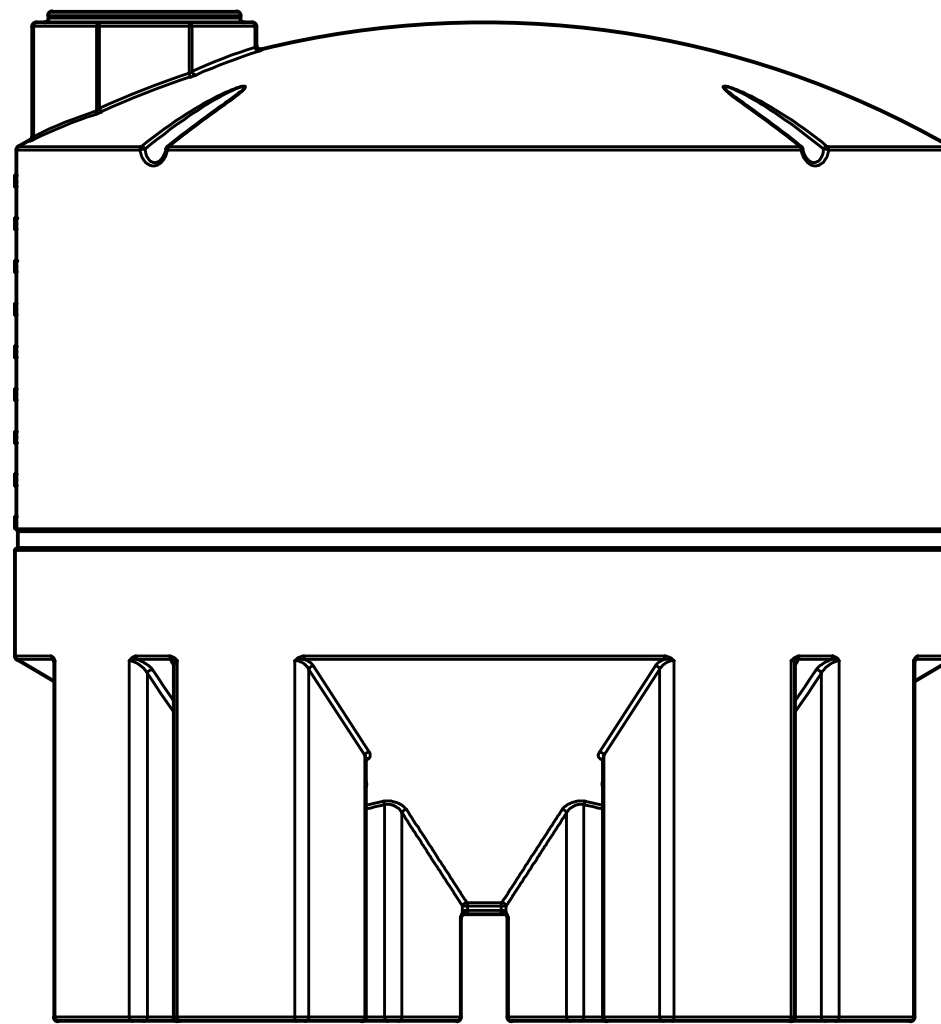
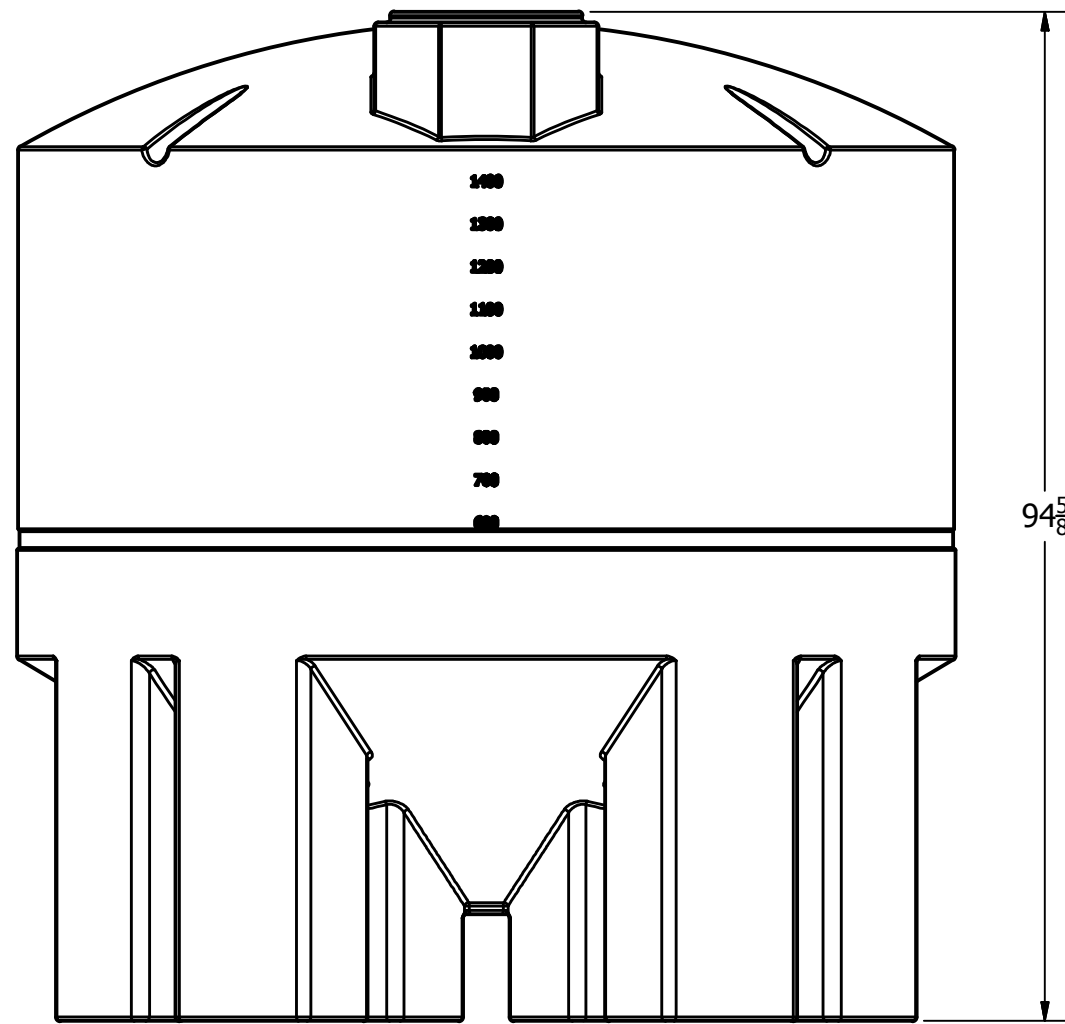
REV	DESCRIPTION	DATE	AUTHOR
A	REDRAWN	10/20/1997	
B	REDRAWN	7/24/2013	Michael Holden


DRAWN Jerry Paulson	10/20/1997
CHECKED	
QA	
MFG	
APPROVED	

NORWESCO
NORWESCO, INC. SAINT BONIFACIUS, MN

TITLE
1600 GALLON CONE BOTTOM STAND

SIZE B	DWG NO	REV B
SCALE: 1/16		SHEET 1 OF 1



REVISION HISTORY			
REV	DESCRIPTION	DATE	AUTHOR
A	REDRAWN	7/25/2013	Michael Holden
DRAWN	Jerry Paulson	5/13/1997	 NORWESCO, INC. SAINT BONIFACIUS, MN TITLE 1600 GALLON CONE BOTTOM TANK & STAND
CHECKED			
QA			
MFG			
APPROVED			
	SIZE	DWG NO	REV
	B		A
	SCALE: 1/16		SHEET 1 OF 1