
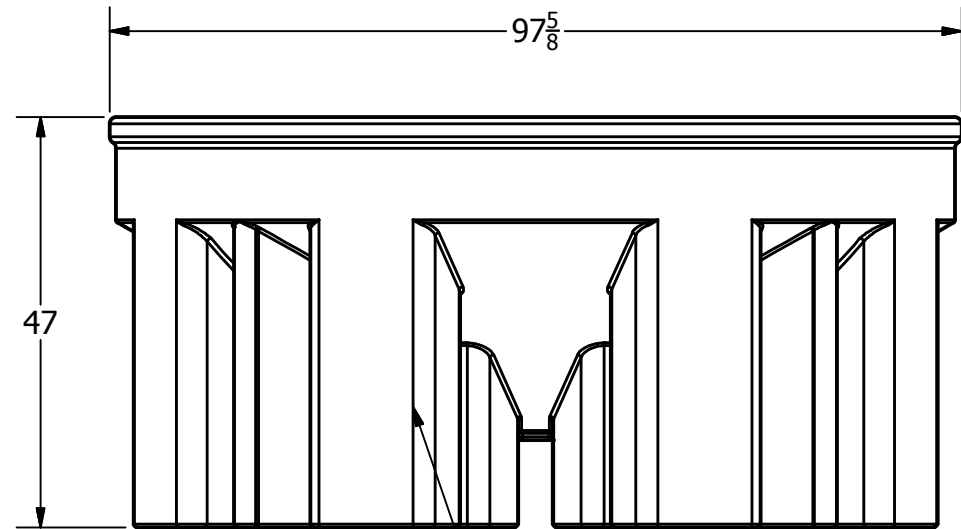
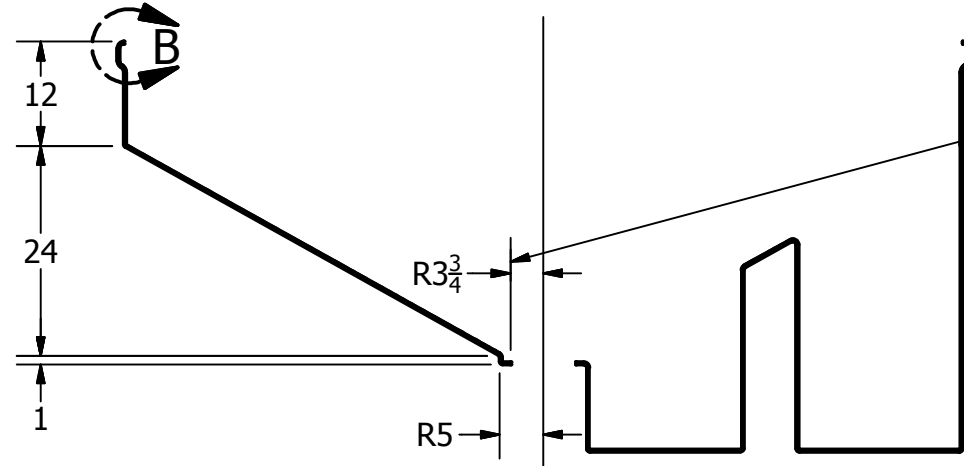


REVISION HISTORY				
REV	DESCRIPTION	DATE	AUTHOR	
A	REDRAWN	1/10/1997		
B	REDRAWN	7/23/2013	Michael Holden	
C	MODIFIED DIAMETER	4/21/2016	Liv Oltean	
DRAWN Jerry Paulson		1/10/1997	 NORWESCO, INC. SAINT BONIFACIUS, MN TITLE 3000 GALLON CONE BOTTOM TANK X 30 DEGREE	
CHECKED				
QA				
MFG				
APPROVED				
		SIZE B	DWG NO	REV C
		SCALE: 1/16	SHEET 1 OF 1	

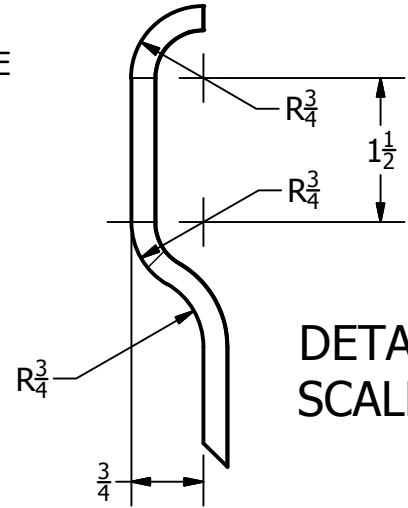
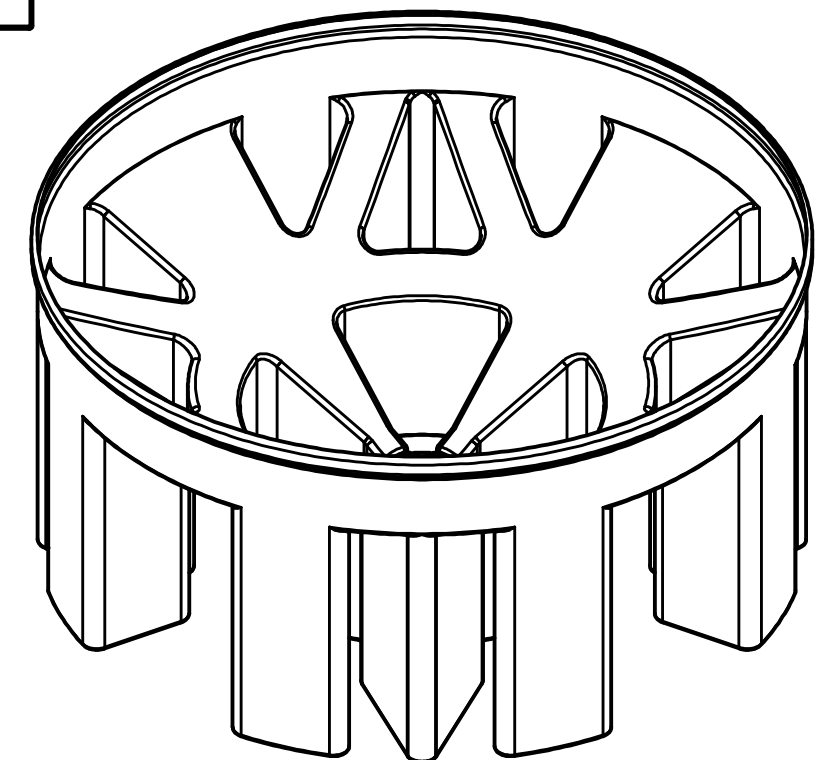


NOTE: 1/2 DEG. TAPER ON ALL LEGS EXCEPT AT OUTSIDE CIRCUMFERENCE

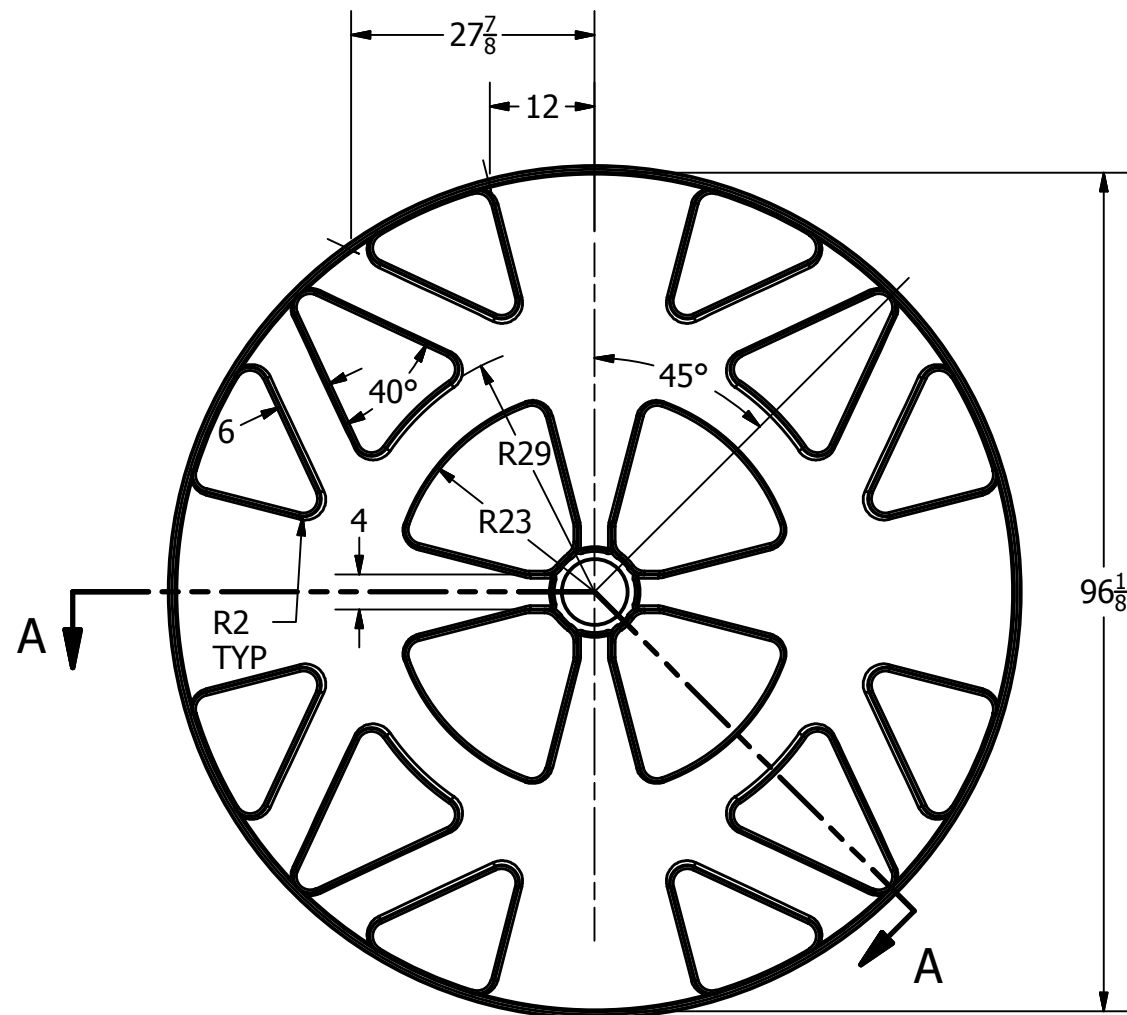



SECTION A-A
SCALE 1:22

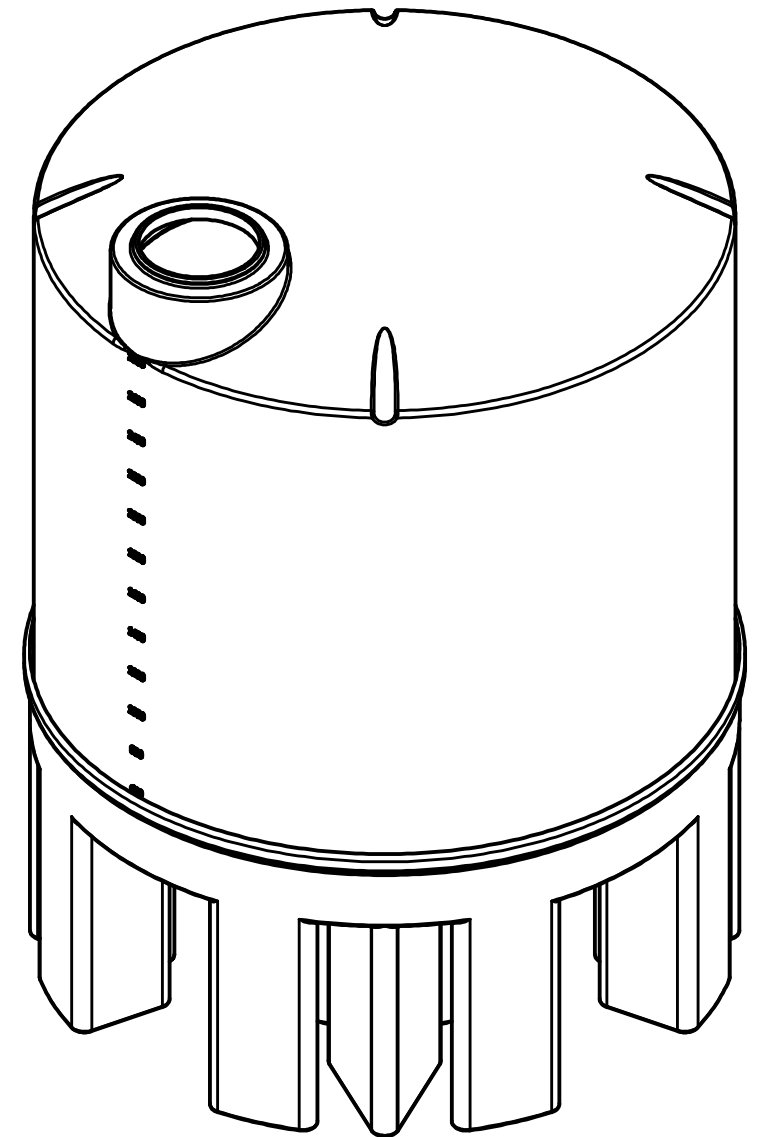
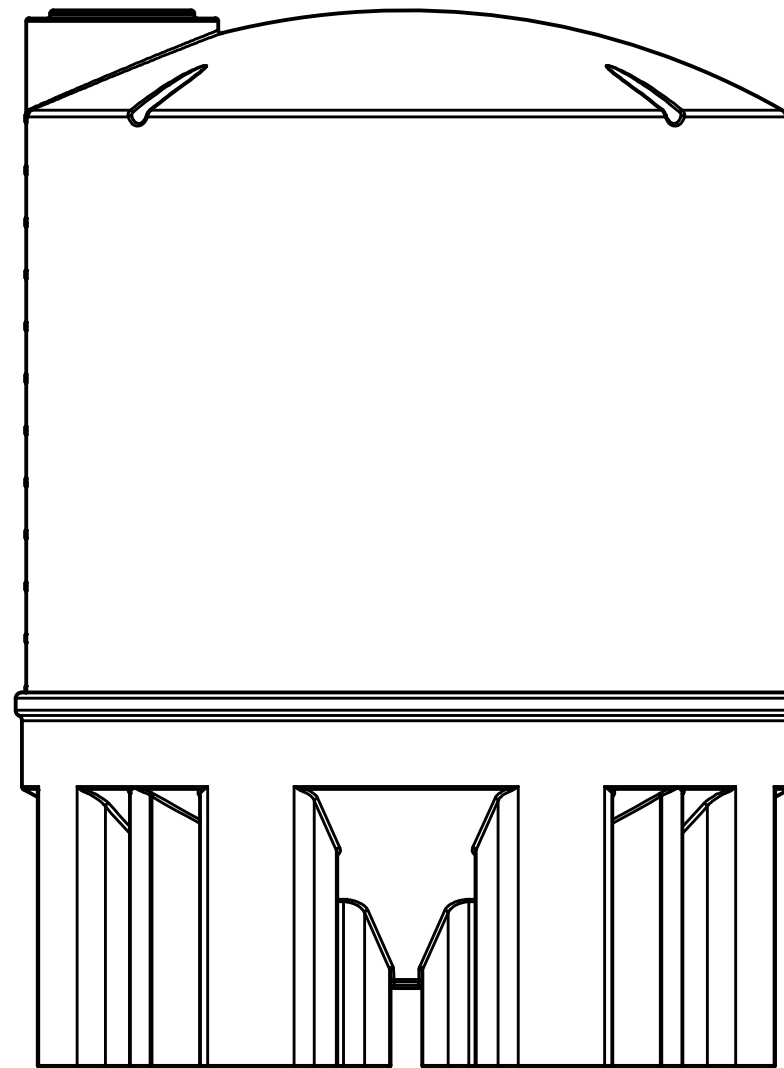
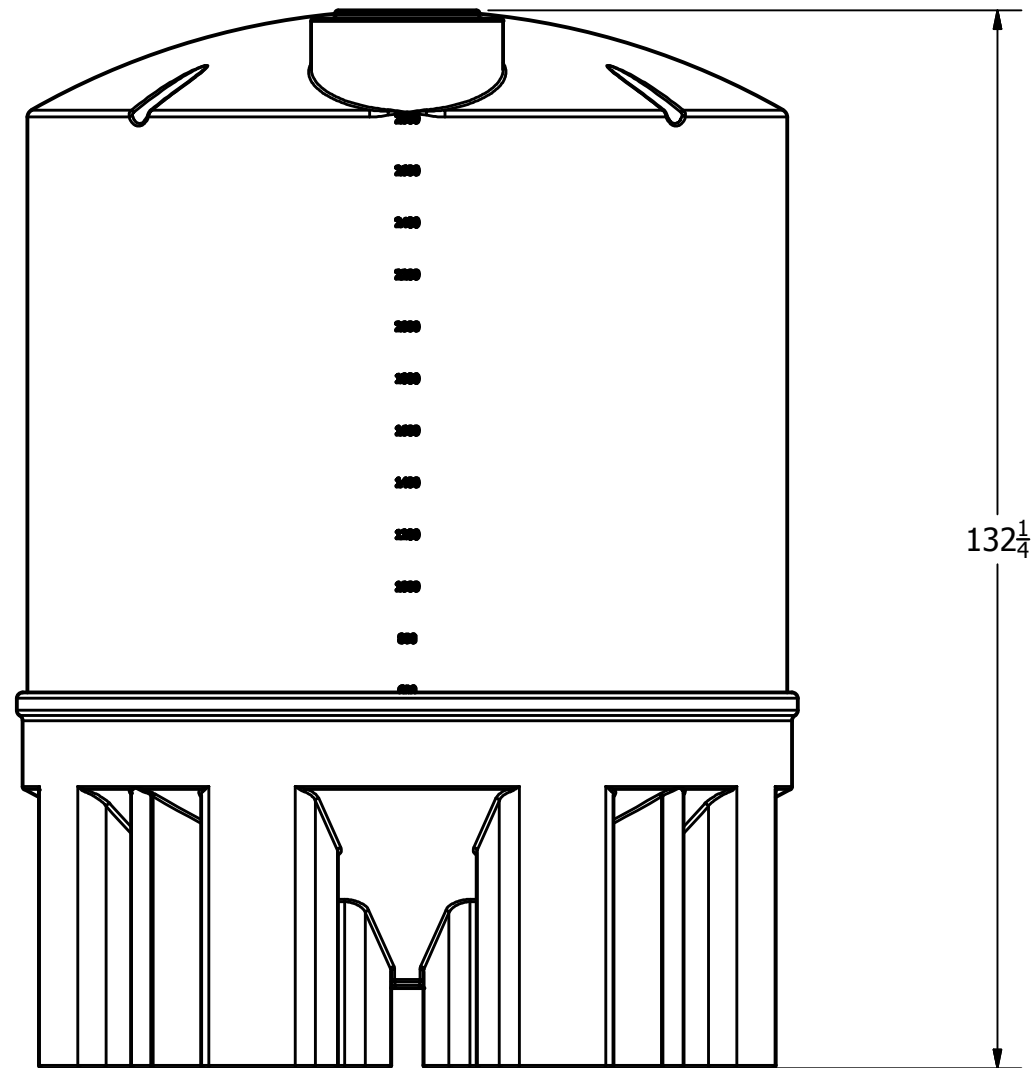
NOTE: PROVIDE 1/4" KNIFE EDGE FOR 7 1/2" DIA. CUTOUT




DETAIL B
SCALE 1:2



REVISION HISTORY			
REV	DESCRIPTION	DATE	AUTHOR
A	REVISED & REDRAWN	4/3/1994	
B	REDRAWN	7/24/2013	Michael Holden
DRAWN Jerry Paulson		4/3/1994	 NORWESCO, INC. SAINT BONIFACIUS, MN TITLE 2500/3000 GALLON CONE BOTTOM STAND
CHECKED			
QA			
MFG			
APPROVED			
SIZE B		DWG NO	REV B
SCALE: 1/16		SHEET 1 OF 1	



REVISION HISTORY			
REV	DESCRIPTION	DATE	AUTHOR
A	REDRAWN	7/25/2013	Michael Holden
DRAWN	Jerry Paulson	7/24/2003	 NORWESCO, INC. SAINT BONIFACIUS, MN TITLE 3000 GALLON CONE BOTTOM TANK & STAND
CHECKED			
QA			
MFG			
APPROVED			
	SIZE	DWG NO	REV
	B		A
	SCALE: 1/16		SHEET 1 OF 1