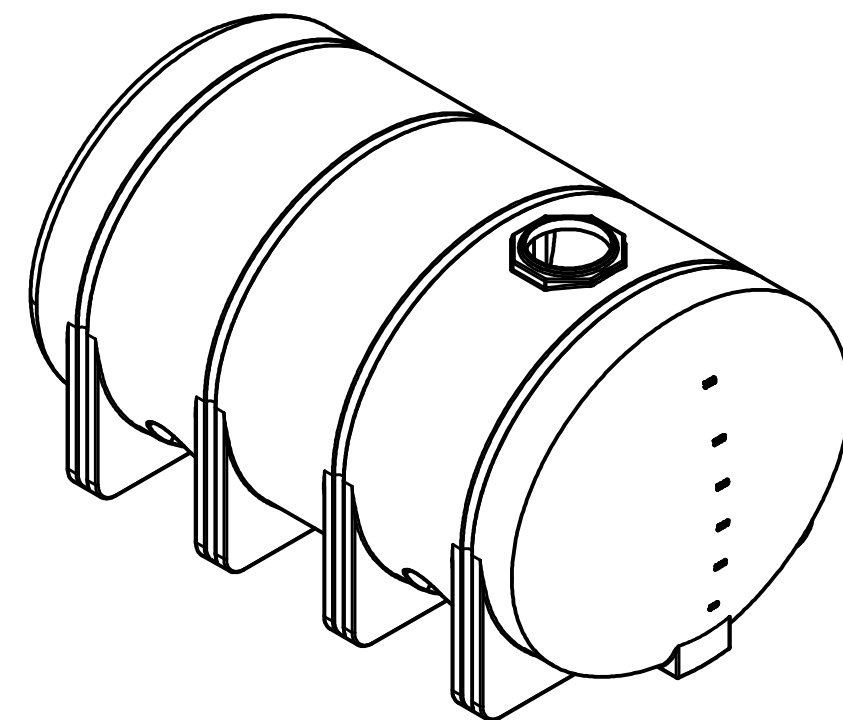



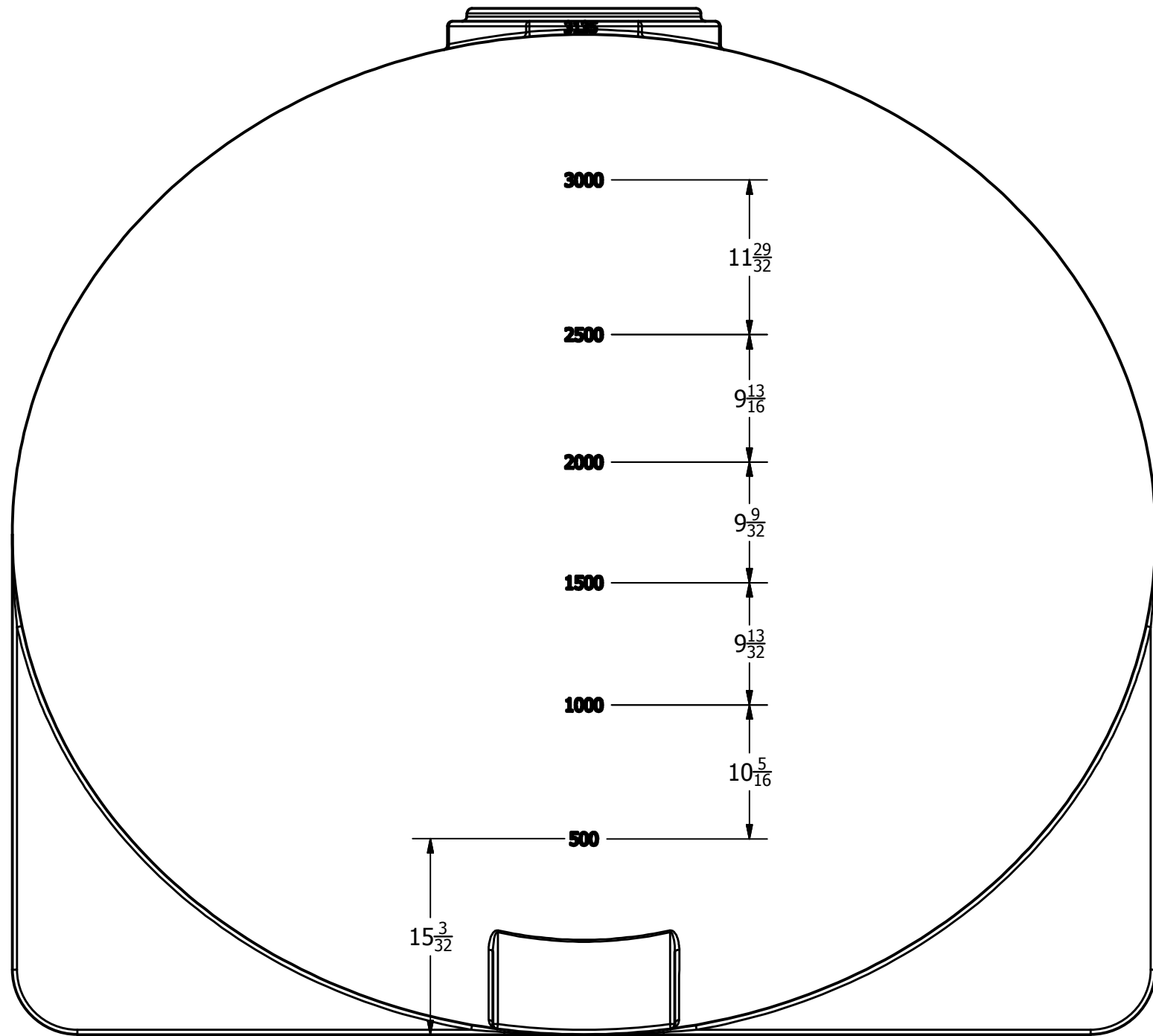
SECTION A-A  
SCALE 1:8




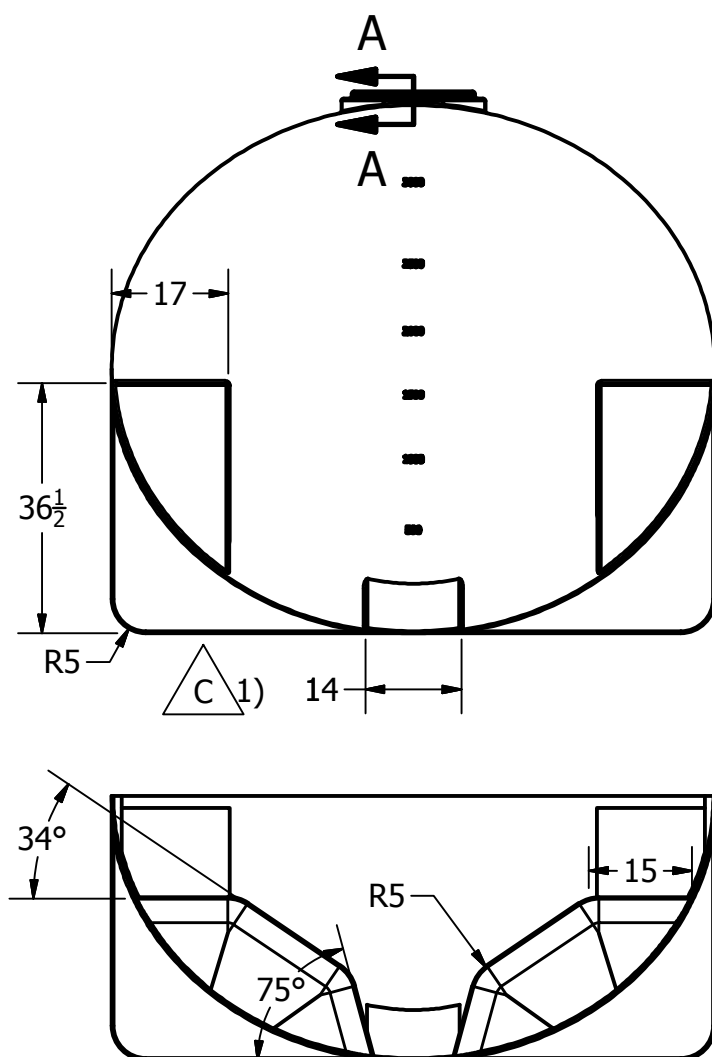
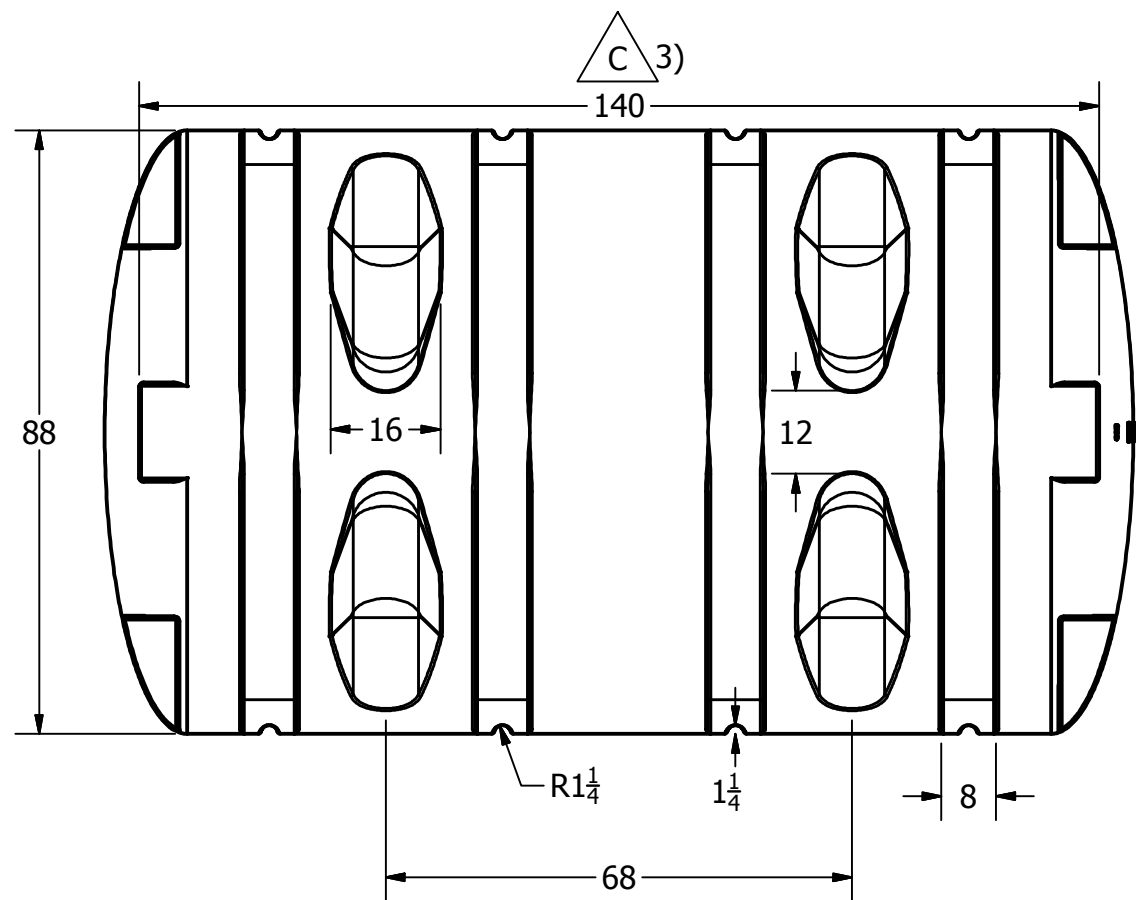
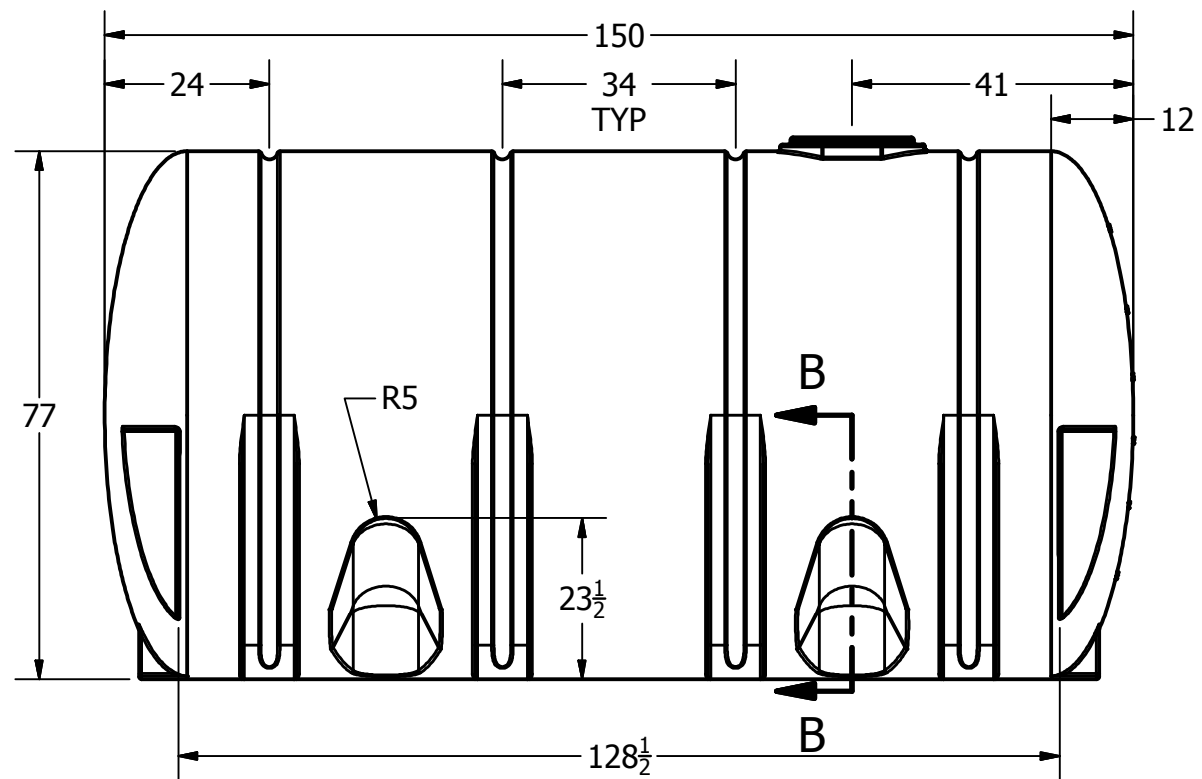
FOB ST. BONIFACIUS, MN SHAWNEE, OK & FAIRFIELD, TX

REVISION HISTORY			
REV	DESCRIPTION	DATE	AUTHOR
A	SPARGER FLAT REVISED	6/4/2004	
B	WAS 1) 2) 12 3) 137 1/2	11/21/2007	
C	SPARGER FLAT REMOVED	11/12/2008	
D	REDRAWN	8/6/2013	Michael Holden

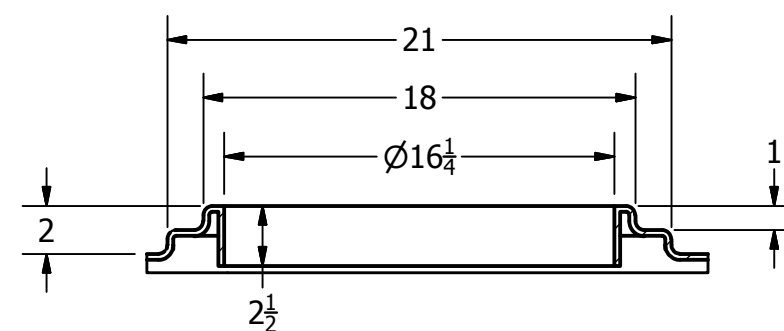
DRAWN Jerry Paulson	6/29/1995	 <b>NORWESCO</b> NORWESCO, INC. SAINT BONIFACIUS, MN TITLE		
CHECKED				
QA		<b>3135 GALLON ELLIPTICAL LEG TANK</b>		
MFG				
APPROVED		SIZE <b>B</b>	DWG NO	REV <b>D</b>
		SCALE: 1/16	SHEET 1 OF 2	



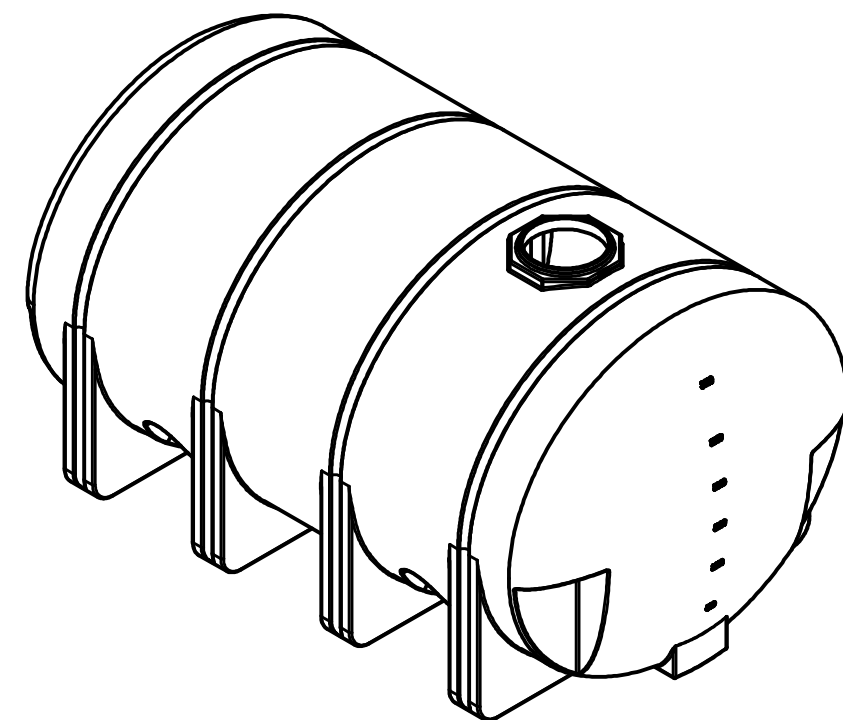
DRAWN Jerry Paulson	6/29/1995	 NORWESCO, INC. SAINT BONIFACIUS, MN		
CHECKED		TITLE		
QA		3135 GALLON ELLIPTICAL LEG TANK		
MFG				
APPROVED		SIZE	DWG NO	REV
		B		D
		SCALE: 1/16	SHEET 2 OF 2	




SECTION B-B  
SCALE 1:28

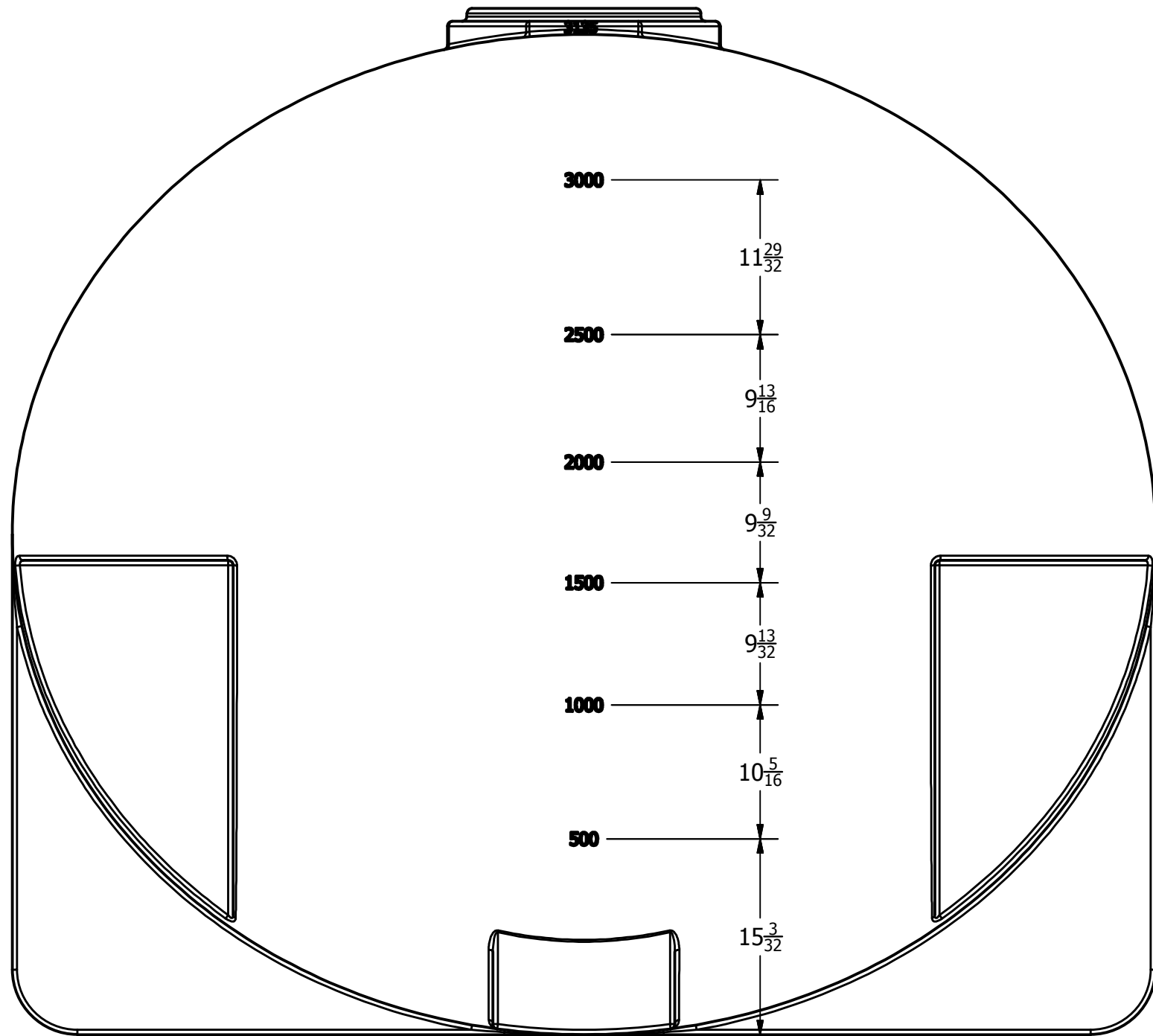



SECTION A-A  
SCALE 1:8

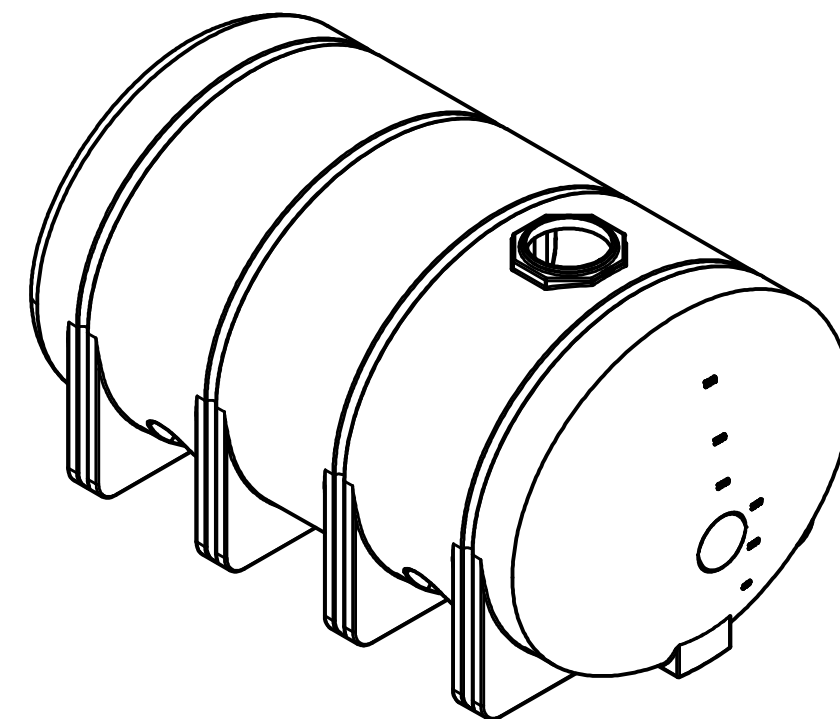
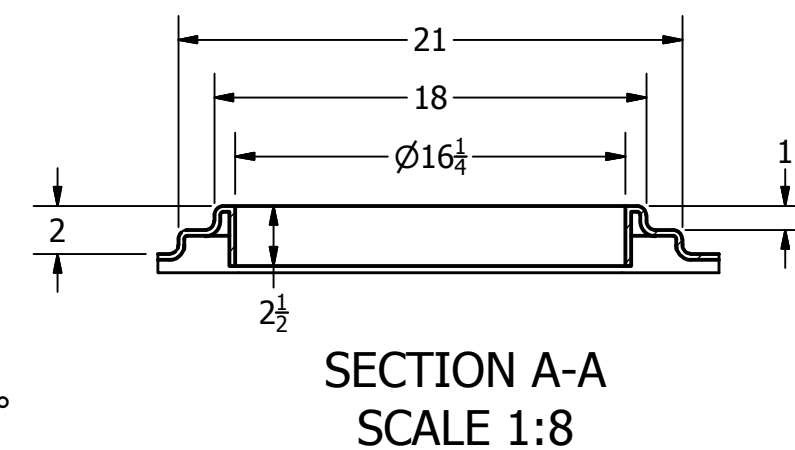
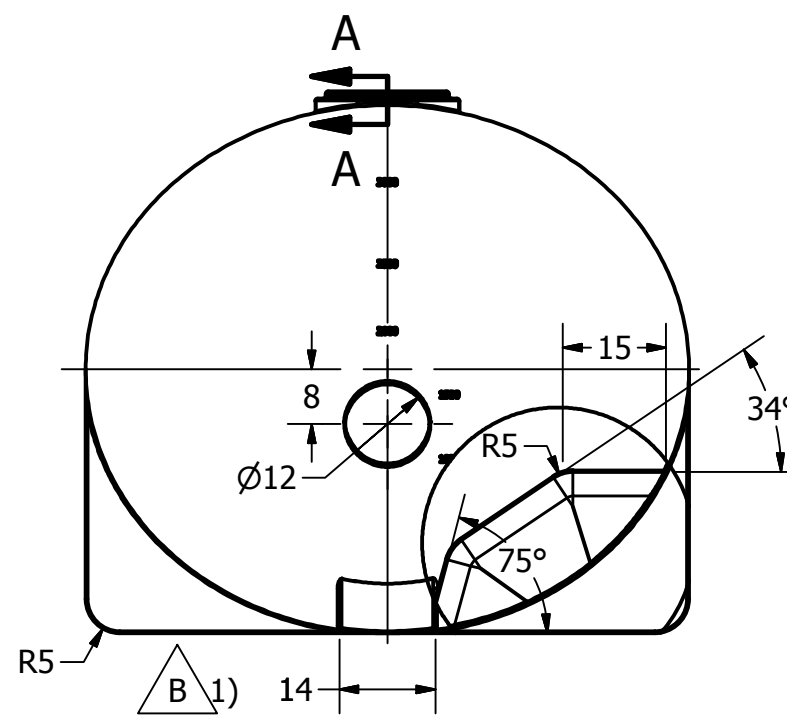
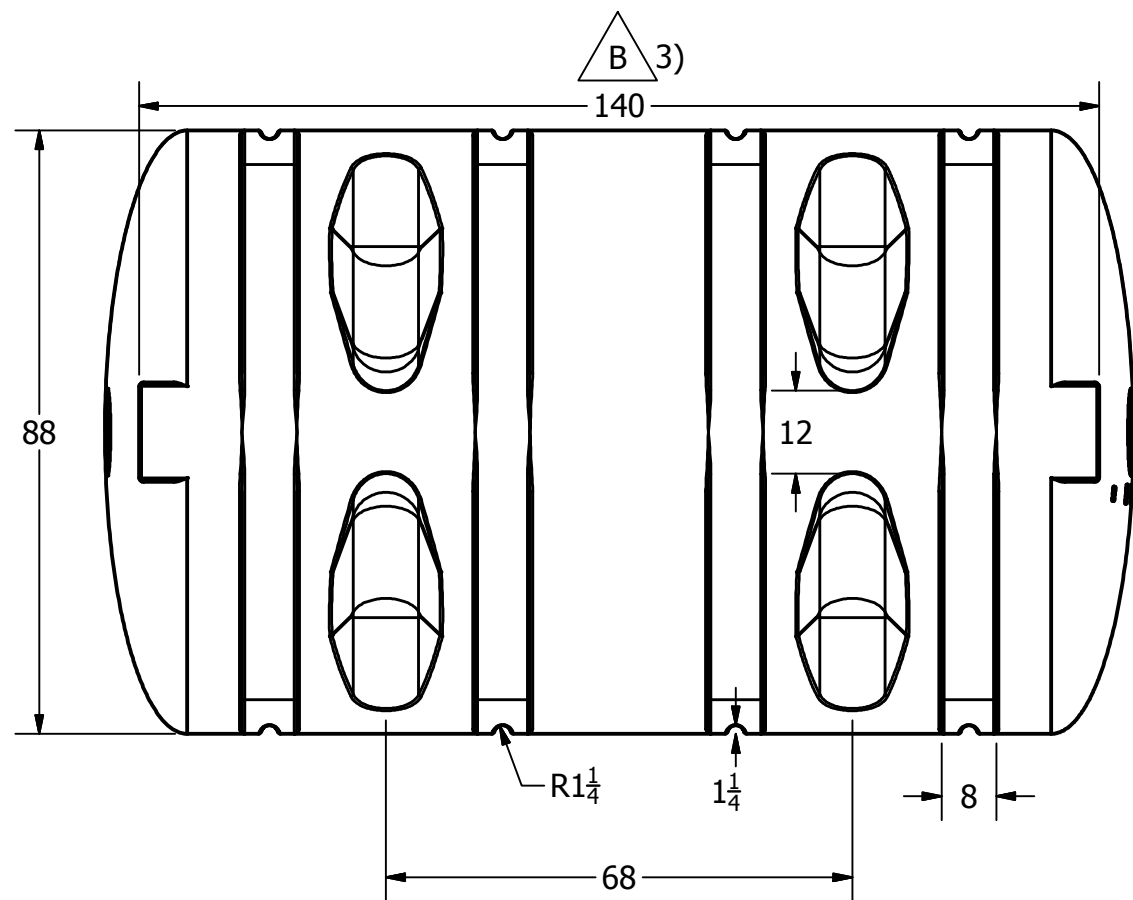
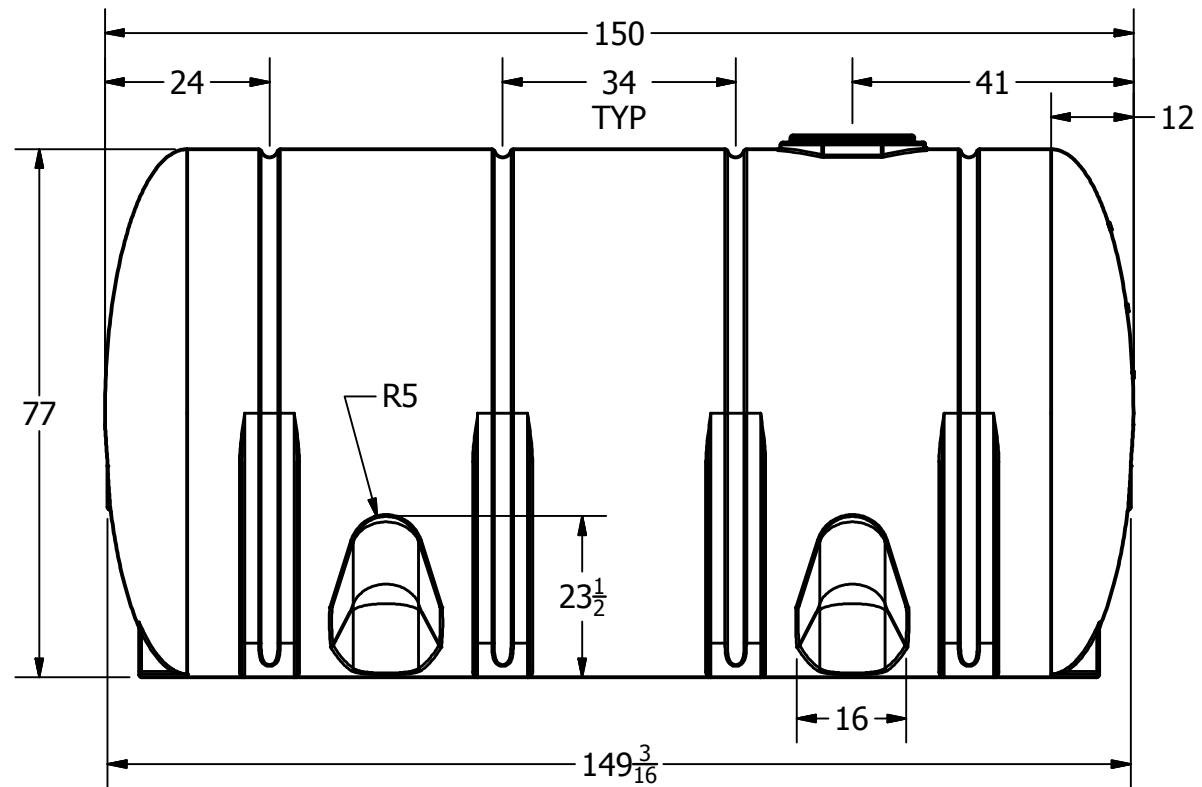


FOB LANCASTER, OH & GRIFFIN, GA

REVISION HISTORY			
REV	DESCRIPTION	DATE	AUTHOR
C	WAS 1) 2) 12 3) 137 1/2	10/15/2008	
D	REDRAWN	8/6/2013	Michael Holden
DRAWN Jerry Paulson 6/29/1995		 NORWESCO, INC. SAINT BONIFACIUS, MN TITLE <b>3135 GALLON ELLIPTICAL LEG TANK</b>	
CHECKED			
QA			
MFG			
APPROVED			
SIZE <b>B</b>		DWG NO	REV <b>D</b>
SCALE: 1/16		SHEET 1 OF 2	




DRAWN Jerry Paulson	6/29/1995	 NORWESCO, INC. SAINT BONIFACIUS, MN		
CHECKED		TITLE		
QA		3135 GALLON ELLIPTICAL LEG TANK		
MFG				
APPROVED				
		SIZE <b>B</b>	DWG NO	REV D
		SCALE: 1/16	SHEET 2 OF 2	



FOB TOOELE, UT

REVISION HISTORY			
REV	DESCRIPTION	DATE	AUTHOR
A	SPARGER FLAT REVISED	6/4/2004	
B	WAS 1) 2) 12 3) 137 1/2	11/21/2007	
C	REDRAWN	8/6/2013	Michael Holden

DRAWN Jerry Paulson	6/29/1995	 <b>NORWESCO</b> NORWESCO, INC. SAINT BONIFACIUS, MN	
CHECKED			
QA		TITLE	
MFG		3135 GALLON ELLIPTICAL LEG TANK	
APPROVED			
		SIZE <b>B</b>	DWG NO
			REV <b>C</b>
		SCALE: 1/16	SHEET 1 OF 2