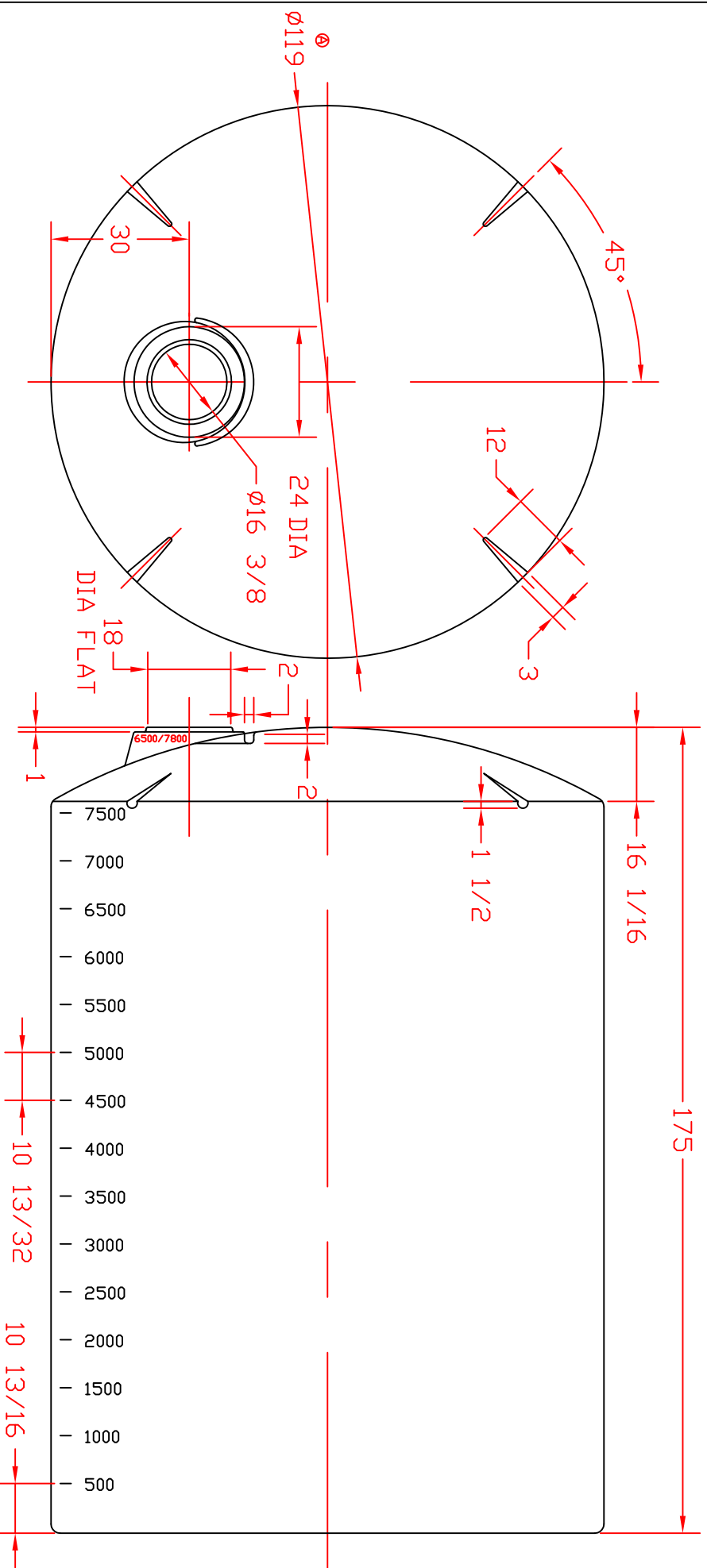
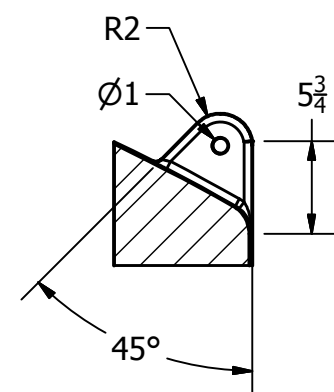
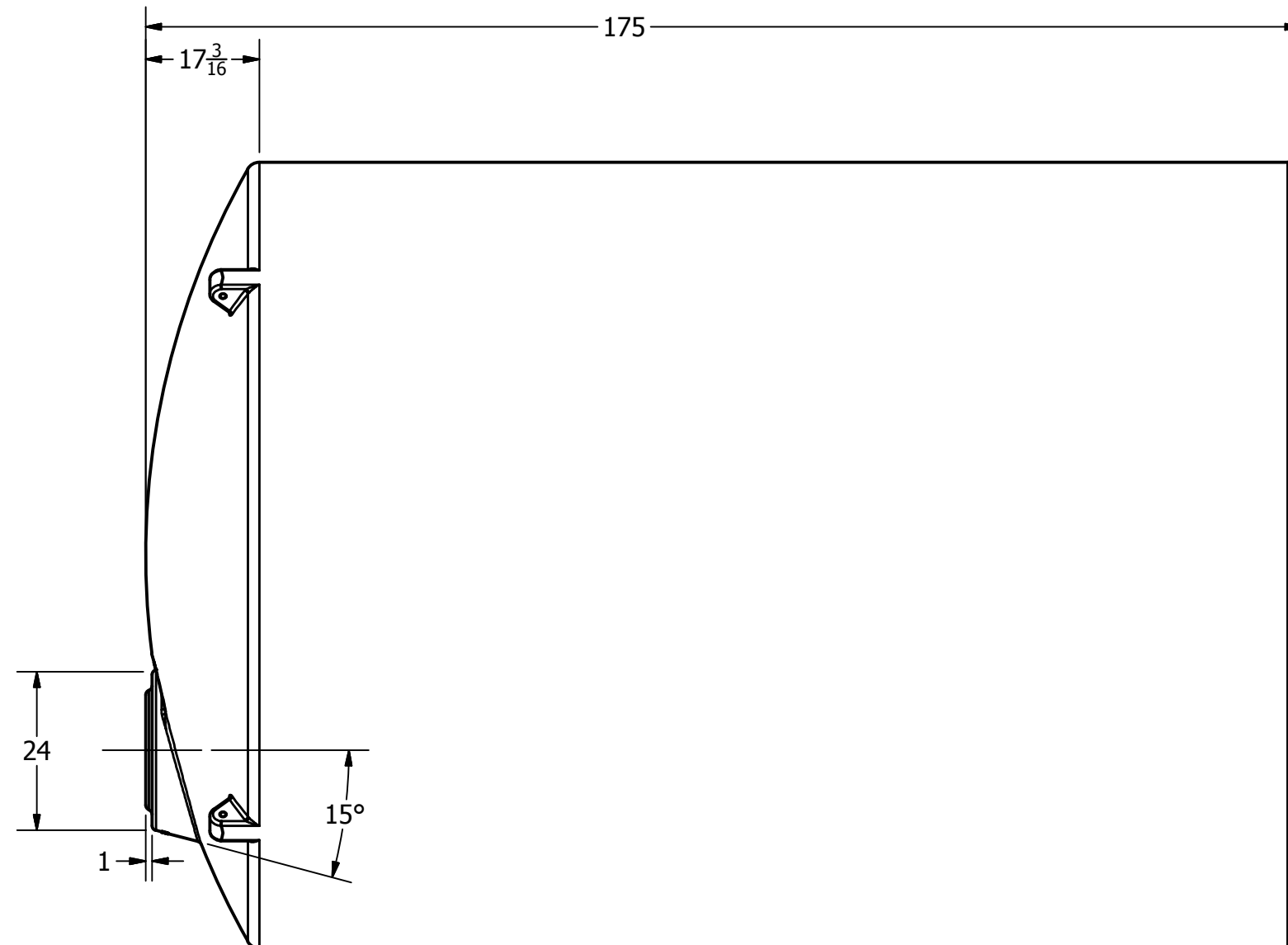
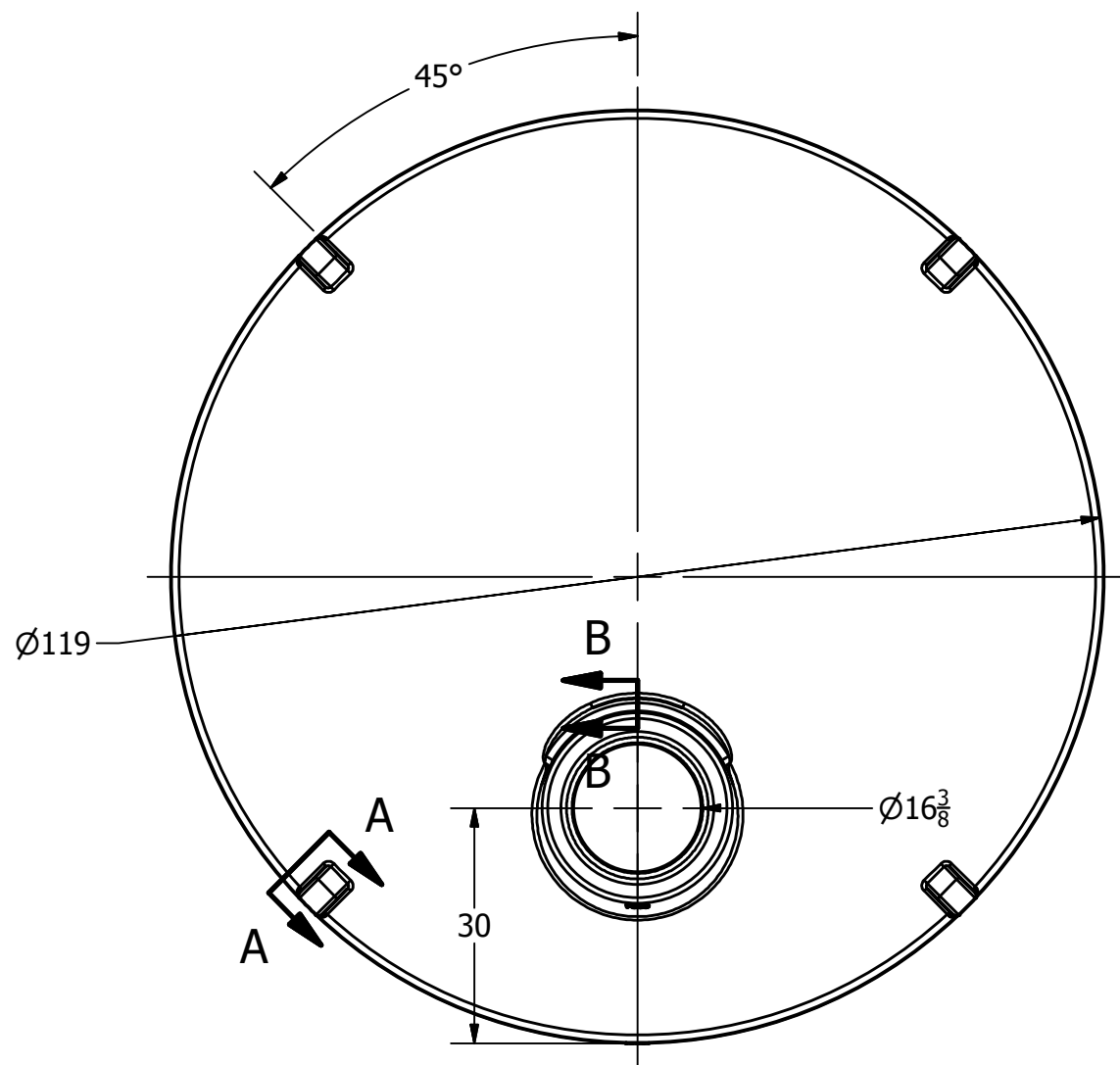


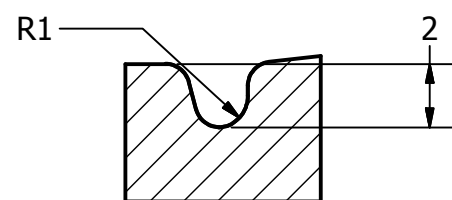
REVISIONS				
ZONE	REV	DESCRIPTION	DATE	APPROVED
	A	UPDATE TO PRODUCTION		08SEP06



		ST. BONIFACIUS, MN	
		7800 GALLON VERTICAL TANK	
JTP	19AUG94	SIZE	FSOM NO.
		B	
SCALE 1/24		DWG NO.	REV
			A
		SHEET	




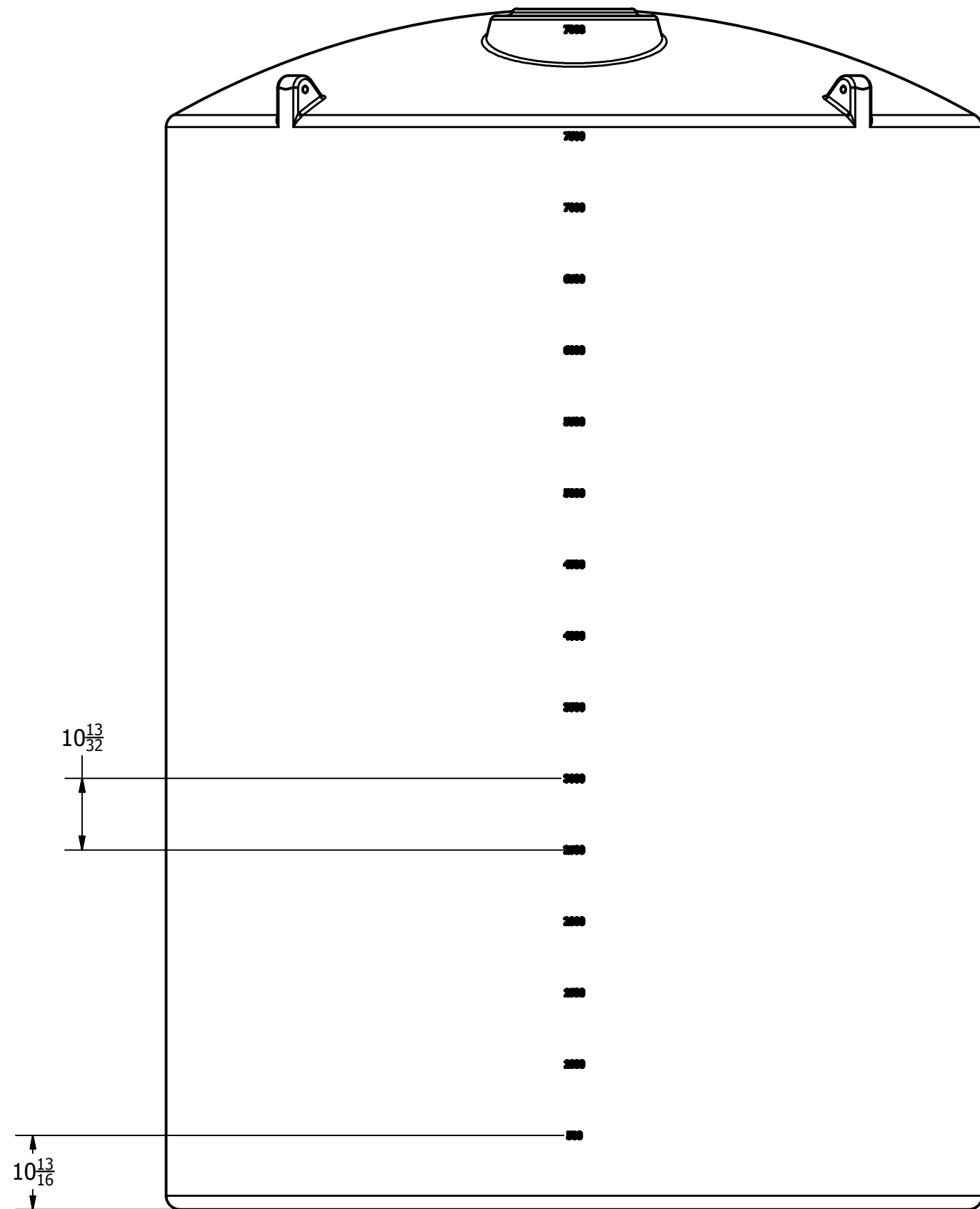
SECTION A-A
SCALE 1:12




SECTION B-B
SCALE 1:6

FOB HANFORD, CA

REVISION HISTORY			
REV	DESCRIPTION	DATE	AUTHOR
A	UPDATE TO PRODUCTION	9/08/2006	
B	REDRAWN	6/28/2013	Michael Holden
DRAWN	Jerry Paulson	8/19/1994	 NORWESCO, INC. SAINT BONIFACIUS, MN TITLE 7800 GALLON VERTICAL TANK
CHECKED			
QA			
MFG			
APPROVED			
	SIZE	DWG NO	REV
	B		B
	SCALE: 1/16		SHEET 1 OF 2



DRAWN Jerry Paulson	8/19/1994			
CHECKED		NORWESCO, INC. SAINT BONIFACIUS, MN		
QA		TITLE		
MFG		7800 GALLON VERTICAL TANK		
APPROVED				
		SIZE	DWG NO	REV
		B		B
		SCALE: 1/16	SHEET 2 OF 2	